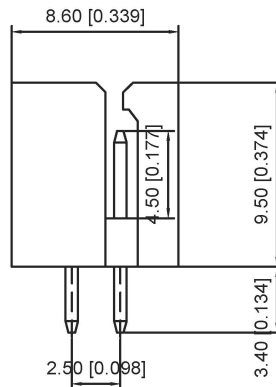
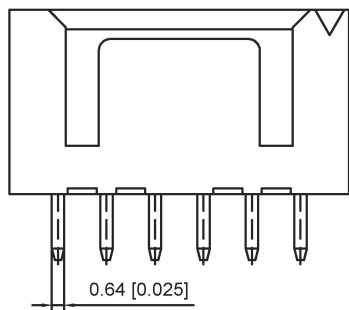


■ Specifications :

- Voltage rating: 250V AC / DC
- Current rating: 3A AC / DC
- Withstanding voltage: 800V AC/minute
- Temperature range: -25°C~+85°C
- Insulation resistance: ≥1000M Ω
- Contact resistance: ≤10mΩ
- After environmental testing : ≤20mΩ

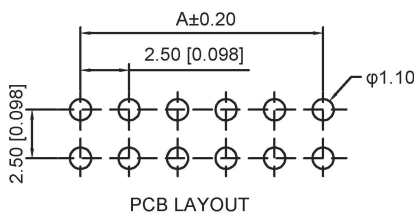
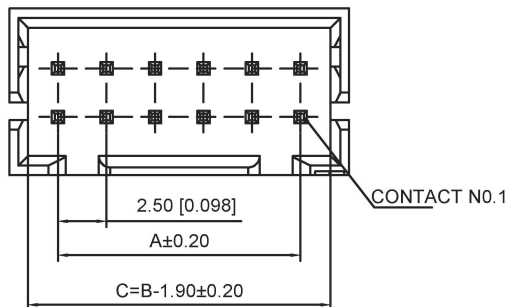


X8826 W V-2*XX- N0 XX



- ① Series No.
- ② Category : W-WAFER
- ③ Wedding Board Angle : V-Stright 180°
- ④ Row No.-Pin No.: 2*XX-Double Row
- ⑤ Material : N0-PA66 94V-0
- ⑥ Plating Category: Sn-Bright Tin Plating(70u")

Poles	Dimensions(mm)	
	A	B
02	2.50	7.50
03	5.00	10.00
04	7.50	12.50
05	10.00	15.00
06	12.50	17.50
07	15.00	20.00
08	17.50	22.50
09	20.00	25.00
10	22.50	27.50
11	25.00	30.00
12	27.50	32.50
13	30.00	35.00
14	32.50	37.50
15	35.00	40.00
16	37.50	42.50
17	40.00	45.00
18	42.50	47.50
19	45.00	50.00
20	47.50	52.50



X8826WV-2*XX-N0SN	Nyolin 66 UL 94V-0	Brass	Tin-Plated	X8826H
PART NO	Material	Material(pin)	Finish(pin)	Suitable XKB Terminal

广东星坤科技股份有限公司

生效

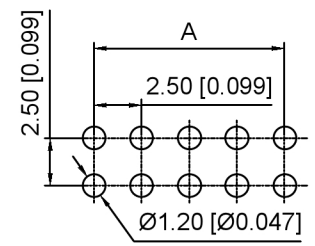
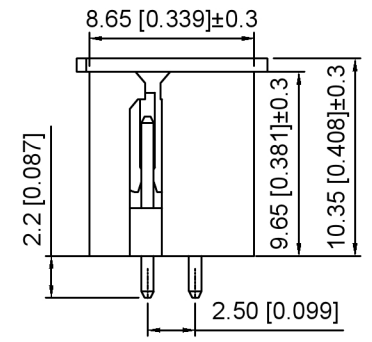
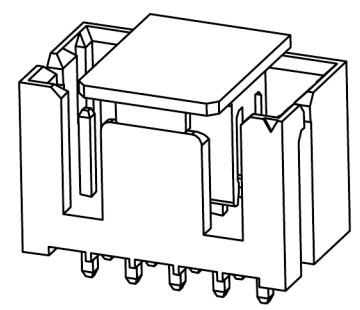
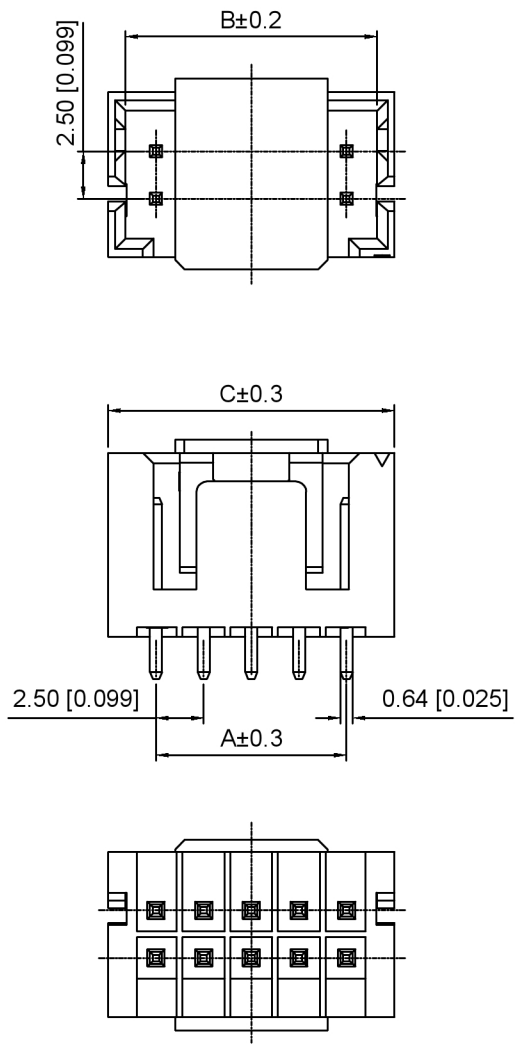
ΔX	日期
ΔX	日期
ΔX	日期
MARK	DESCRIPTION

REVISIONS	DATE	REVISED	APPROVED	UNSPECIFIED TOLERANCES

DSND	DATE	SCALE: N/A	MODEL TYPE: X8826WV-2*XX-N0SN
DWN	DATE	VIEW:	PART NO.: 2.5mm Crimp Style Connectors
CHKD	DATE	UNIT: mm/in	DWG NO.: X8826WV-2*XX-N0SN
APPD	DATE	SIZE: A4	
XKB INDUSTRIAL PRECISION CO., LIMITED			WEIGHT 1.0g
			SHEET 1/1
			REVISION A0

文件工程章

www.xk-dg.cn www.helloxkb.com www.helloxkb.cn



Recommended PCB Layout(Top view)
Tolerance:±0.05mm

Specifications:
规格:
Voltage rating:250V AC/DC
额定电压: 250V AC/DC
Current rating:3A AC/DC
额定电流: 3A AC/DC
Withstanding voltage:800V AC/minute
耐受电压: 800V AC/分钟
Temperature range:-25℃~+85℃
温度范围: -25℃~+85℃
Insulation resistance:≥1000MΩ
绝缘电阻: ≥1000MΩ
Contact resistance:≤30mΩ
接触电阻: ≤30mΩ

X8826 W V - 2xXX R - LP SN
① ② ③ ④ ⑤ ⑥ ⑦

- 1.Series No
- 2.Category:W-Wafer
- 3.Welding Board Angle:V-Stright 180°
- 4.Row No.Pin No:2xXX-2x02~2x12Pin
- 5.Special No:R-DIP 2.2mm
- 6.Material:LP-LCP UL94V-0 ,Natural
- 7.Plating:SN- Tin Plated

Poles	Dimensions (mm)			Poles	Dimensions (mm)		
	A	B	C		A	B	C
2x02	2.50	5.70	7.50	2x08	17.50	20.70	22.50
2x03	5.00	8.20	10.00	2x09	20.00	23.20	25.00
2x04	7.50	10.70	12.50	2x10	22.50	25.70	27.50
2x05	10.00	13.20	15.00	2x11	25.00	28.20	30.00
2x06	12.50	15.70	17.50	2x12	27.50	30.70	32.50
2x07	15.00	18.20	20.00				

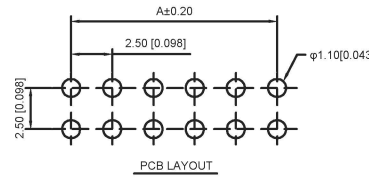
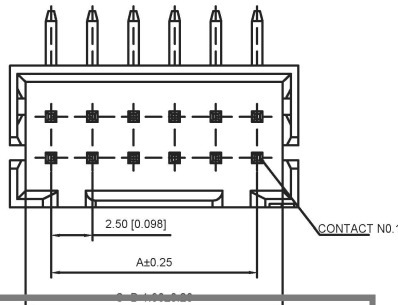
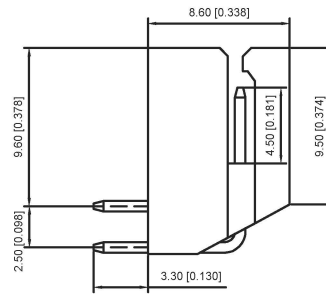
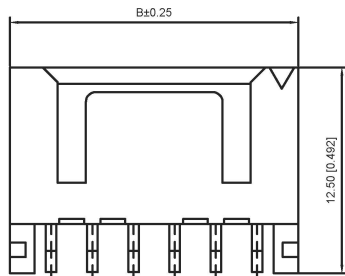
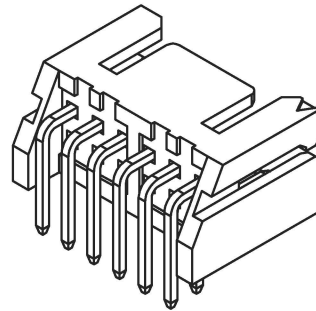
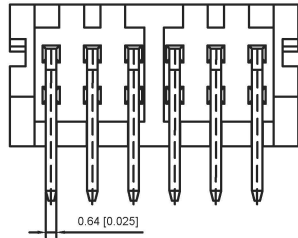
X8826WV-2xXXR-LPSN	LCP	Brass	X8826H
PART NO	Material	Material(Pin)	Suitable XKB Housing

广东星坤科技股份有限公司
文件工程章

MARK	DESCRIPTION	DATE	REVISED	APPROVED	ANGLAR	±5°
					L ≤ 4	±0.2
					4 < L ≤ 16	±0.3
					16 < L ≤ 63	±0.4
					L > 63	±0.5
					UNSPECIFIED TOLERANCES	



DSND		SCALE: N/A	MODEL TYPE: 2.5mm Crimp Style Connector		
DWN		VIEW:	PART NO.: X8826WV-2xXXR-LPSN		
CHKD		UNIT: mm/in	DWG NO.: X-X8826WV-2xXXR-LPSN		
APPD		SIZE: A4	WEIGHT	SHEET	REVISION
XKB INDUSTRIAL PRECISION CO., LIMITED				1/1	A0



■ Specifications :

- Voltage rating: 250V AC / DC
- Current rating: 3A AC / DC
- Withstanding voltage: 800V AC/minute
- Temperature range: -25°C~+85°C
- Insulation resistance: ≥1000M Ω
- Contact resistance: ≤10mΩ
- After environmental testing : ≤20mΩ

X8826 W R-2*XX- N0 XX

- ① Series No.
- ② Category : W-WAFER
- ③ Wedding Board Angle : R-Stright 90°
- ④ Row No.-Pin No.: 2*XX-Double Row
- ⑤ Material : N0-PA66 94V-0
- ⑥ Plating Category: Sn-Bright Tin Plating(70u")

Poles	Dimensions(mm)	
	A	B
02	2.50	7.50
03	5.00	10.00
04	7.50	12.50
05	10.00	15.00
06	12.50	17.50
07	15.00	20.00
08	17.50	22.50
09	20.00	25.00
10	22.50	27.50
11	25.00	30.00
12	27.50	32.50
13	30.00	35.00
14	32.50	37.50
15	35.00	40.00
16	37.50	42.50
17	40.00	45.00
18	42.50	47.50
19	45.00	50.00
20	47.50	52.50

X8826WR-2*XX-N0SN	Nyolin 66 UL 94V-0	Brass	Tin-Plated	X8826H
PART NO	Material	Material(pin)	Finish(pin)	Suitable XKB Terminal

广东星坤科技股份有限公司

生效

ΔX	日期
ΔX	日期
ΔX	日期
MARK	DESCRIPTION

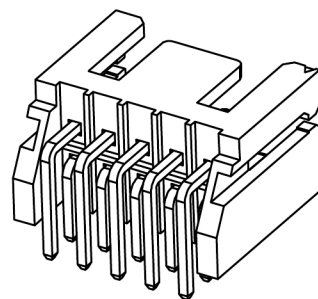
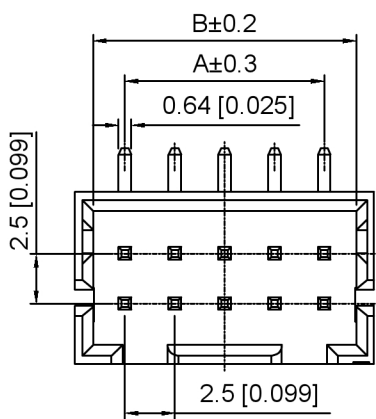
REVISIONS

UNSPECIFIED TOLERANCES

DSND	DATE	SCALE: N/A	MODEL TYPE: X8826WR-2*XX-N0SN
DWN	DATE	VIEW:	PART NO.: 2.5mm Crimp Style Connectors
CHKD	DATE	UNIT: mm/in	DWG NO.: X8826WR-2*XX-N0SN
APPD	DATE	SIZE: A4	
XKB INDUSTRIAL PRECISION CO., LIMITED			WEIGHT 1.0g
			SHEET 1/1
			REVISION A0

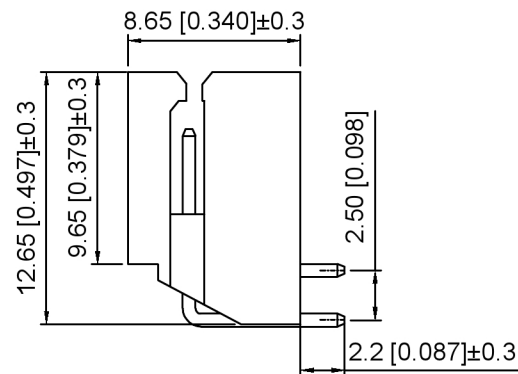
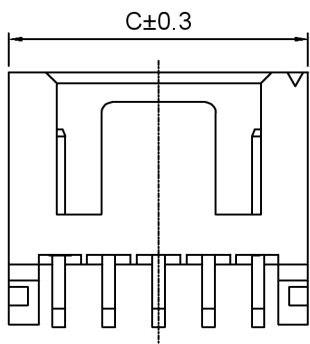
文件工程章

www.xk-dg.cn www.helloxkb.com www.helloxkb.cn



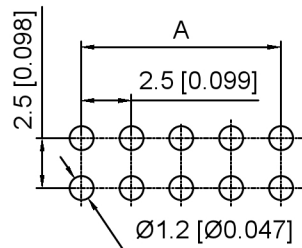
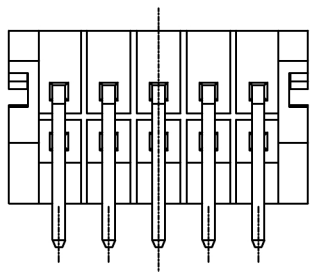
Specifications:

规格:
 Voltage rating:250V AC/DC
 额定电压: 250V AC/DC
 Current rating:3A AC/DC
 额定电流: 3A AC/DC
 Withstanding voltage:800V AC/minute
 耐受电压: 800V AC/分钟
 Temperature range:-25℃~+85℃
 温度范围: -25℃~+85℃
 Insulation resistance:≥1000MΩ
 绝缘电阻: ≥1000MΩ
 Contact resistance:≤30mΩ
 接触电阻: ≤30mΩ



X8826 W R - 2xXX R - LP SN
 ① ② ③ ④ ⑤ ⑥ ⑦

- 1.Series No
- 2.Category:W-Wafer
- 3.Welding Board Angle:R-Stright 90°
- 4.Row No.Pin No:2xXX-2x02~2x12Pin
- 5.Special No:R-DIP 2.2mm
- 6.Material:LP-LCP UL94V-0 ,Natural
- 7.Plating:SN- Tin Plated



Recommended PCB Layout(Top view)
 Tolerance:±0.05mm

Poles	Dimensions (mm)			Poles	Dimensions (mm)		
	A	B	C		A	B	C
2x02	2.50	5.70	7.50	2x08	17.50	20.70	22.50
2x03	5.00	8.20	10.00	2x09	20.00	23.20	25.00
2x04	7.50	10.70	12.50	2x10	22.50	25.70	27.50
2x05	10.00	13.20	15.00	2x11	25.00	28.20	30.00
2x06	12.50	15.70	17.50	2x12	27.50	30.70	32.50
2x07	15.00	18.20	20.00				

X8826WR-2xXXR-LPSN	LCP	Brass	X8826H
PART NO	Material	Material(Pin)	Suitable XKB Housing

DSND		SCALE: N/A	MODEL TYPE: 2.5mm Crimp Style Connector
DWN		VIEW:	PART NO.: X8826WR-2xXXR-LPSN
CHKD		UNIT: mm/in	DWG NO.: X-X8826WR-2xXXR-LPSN
APPD		SIZE: A4	
		WEIGHT	SHEET
			REVISION
			1/1
			A0



XKB INDUSTRIAL PRECISION CO., LIMITED

广东星坤科技股份有限公司

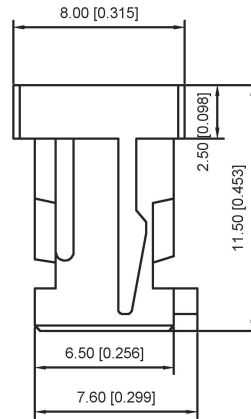
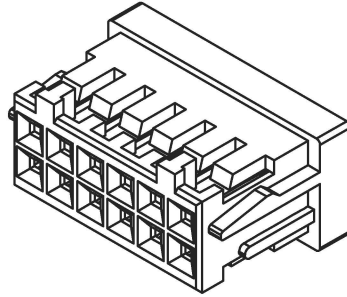
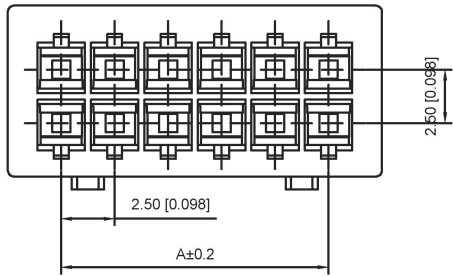
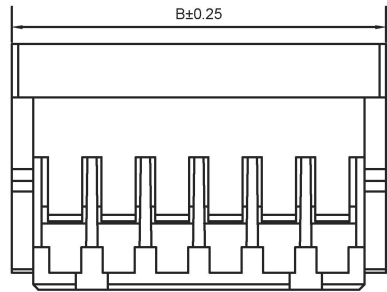
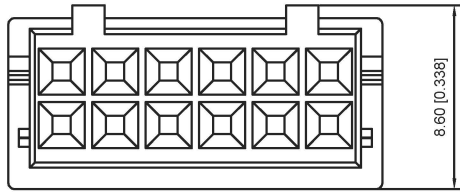
件	日期
数	期
MARK	DESCRIPTION
文件	工程章

REVISIONS

UNSPECIFIED TOLERANCES

www.helloxkb.com www.helloxkb.cn www.xk-dg.cn

					ANGLAR	±5°
					L ≤ 4	±0.2
					4 < L ≤ 16	±0.3
					16 < L ≤ 63	±0.4
					L > 63	±0.5
					UNSPECIFIED TOLERANCES	



Specifications :

- Voltage rating: 250V AC / DC
- Current rating: 3A AC / DC
- Withstanding voltage: 800V AC/minute
- Temperature range: -25°C~+85°C
- Insulation resistance: $\geq 1000M \Omega$
- Contact resistance: $\leq 10m\Omega$
- After environmental testing : $\leq 20m\Omega$

X8826 H 2*XX- N0
 ① ② ③ ④ ⑤

- ① Series No.
- ② Category : H-HSG
- ③ Appearance type:Blank-Ordinary
- ④ Row No.-Pin No.: 2*XX-Double Row
- ⑤ Material : N0-PA66 94V-0

Poles	Dimensions(mm)	
	A	B
02	2.50	7.30
03	5.00	9.80
04	7.50	12.30
05	10.00	14.80
06	12.50	17.30
07	15.00	19.80
08	17.50	22.30
09	20.00	24.80
10	22.50	27.30
11	25.00	29.80
12	27.50	32.30
13	30.00	34.80
14	32.50	37.30
15	35.00	39.80
16	37.50	42.30
17	40.00	44.80
18	42.50	47.80
19	45.00	49.80
20	47.50	52.30

X8826H-2*XX-N0	Nyoln 66 UL 94V-0	X8826T	X8826W
PART NO	Material	Suitable XKB Terminal	Suitable XKB Terminal

广东星坤科技股份有限公司

生效

ΔX	日期
ΔX	日期
ΔX	日期
MARK	DESCRIPTION

文件工程章

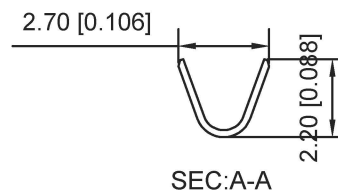
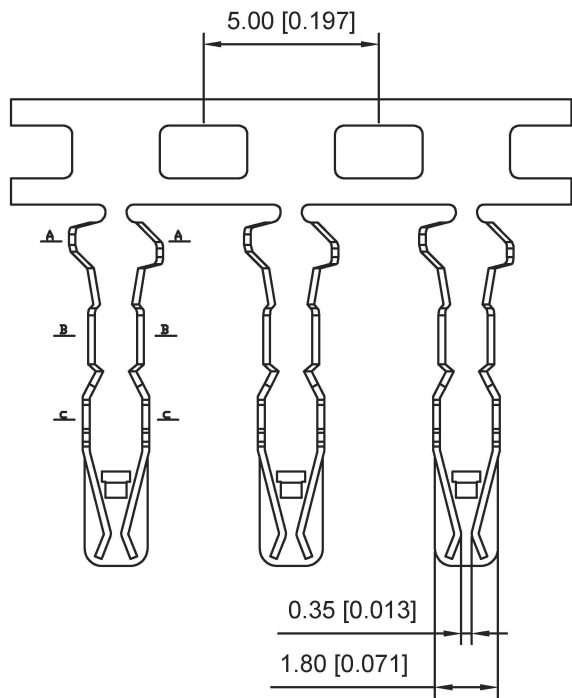
REVISIONS

DATE REVISED APPROVED

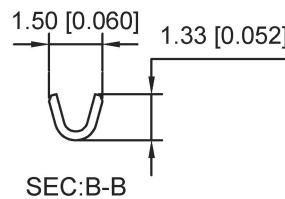
ANGLAR	±5°
L ≤ 4	±0.2
4 < L ≤ 16	±0.3
16 < L ≤ 63	±0.4
L > 63	±0.5

UNSPECIFIED TOLERANCES

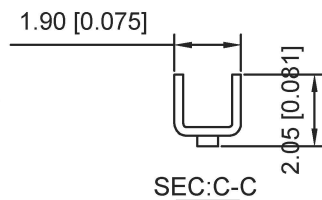
DSND	DATE	SCALE: N/A	MODEL TYPE: X8826H-2*XX-N0
DWN	DATE	VIEW:	PART NO.: 2.5mm Crimp Style Connectors
CHKD	DATE	UNIT: mm/in	DWG NO.: X8826H-2*XX-N0
APPD	DATE	SIZE: A4	
XKB INDUSTRIAL PRECISION CO., LIMITED			WEIGHT 1.0g
			SHEET 1/1
			REVISION A0



SEC:A-A



SEC:B-B



SEC:C-C

■ Specifications :

- Voltage rating: 250V AC / DC
- Current rating: 3A AC / DC
- Withstanding voltage: 800V AC/minute
- Temperature range: -25°C~+85°C
- Insulation resistance: $\geq 1000M \Omega$
- Contact resistance: $\leq 10m\Omega$
- After environmental testing : $\leq 20m\Omega$

X8826 T P- SN
① ② ③ ④

- ① Series Number.
- ② Category : Terminal
- ③ Material:P-Phosphor bronze
- ④ Plating style:SN-Bright tin Plating

X8826T-PSN	Phosphor Bronze	AWG#22-30	1.90mm(Max)	Stamping Before Plating 30u" Ni/70u" Sn	X8826H
PART NO	Material	Wire Range	Insulation O.D.	Finish	Suitable XKB Terminal

广东星坤科技股份有限公司

生效

ΔX	日期
ΔX	日期
ΔX	日期
MARK	DESCRIPTION

文件工程章

REVISIONS	DATE	REVISED	APPROVED	UNSPECIFIED TOLERANCES
-----------	------	---------	----------	------------------------

DSND	DATE	SCALE: N/A	MODEL TYPE: X8826T-PSN
DWN	DATE	VIEW:	PART NO.: 2.5mm Crimp Style Connectors
CHKD	DATE	UNIT: mm/in	DWG NO.: X8826T-PSN
APPD	DATE	SIZE: A4	
XKB INDUSTRIAL PRECISION CO., LIMITED			WEIGHT 1.0g
			SHEET 1/1
			REVISION A0