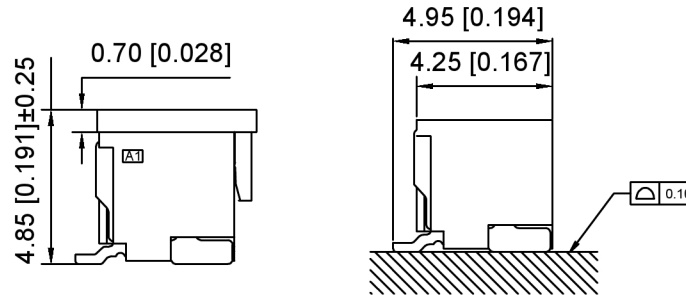
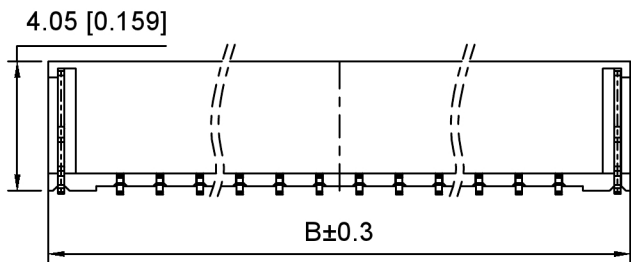


3D VIEWS

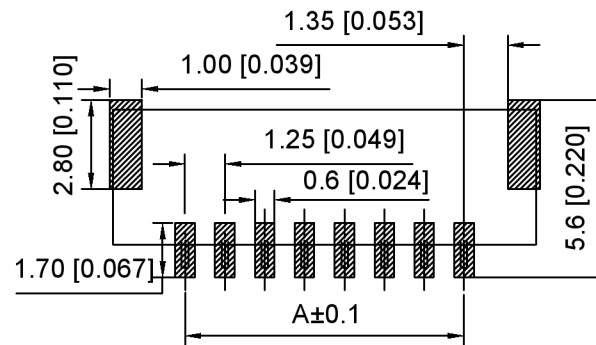
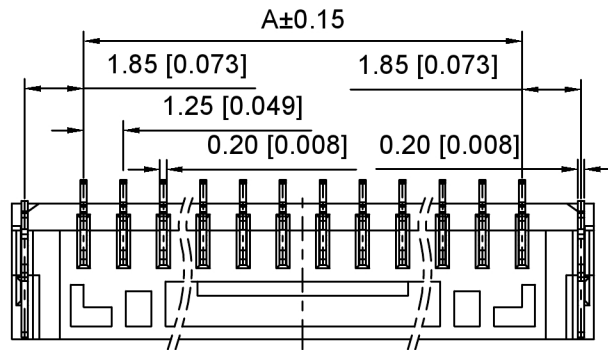
Specifications:

规格:  
 Voltage rating:50V AC/DC  
 额定电压:50V AC/DC  
 Current rating:1A AC/DC  
 额定电流:1A AC/DC  
 Withstanding voltage:500V AC/minute  
 耐受电压:500V AC/分钟  
 Temperature range:-40°C-+110°C  
 温度范围:-40°C-+110°C  
 Insulation resistance:100MΩ min  
 绝缘电阻:100MΩ Min  
 Contact resistance:20mΩ Max  
 接触电阻:20mΩ Max



X1251 W V S-XX HF-LP SN  
 ① ② ③ ④ ⑤ ⑥ ⑦ ⑧

- 1.Series No
- 2.Category:W-Wafer
- 3.Welding Board Angle:V-Stright 180°
- 4.Welding Way:S-SMT
- 5.Row No.Pin No:XX-02~15P
- 6.Special : HF-Halogen Free
- 7.Material:LP-LCP UL94V-0 Natural
- 8.Plating:SN-Tin Plated



PCB Layout

Poles	Dimensiong(mm)				Poles	Dimensiong(mm)			
	A	B	C	D		A	B	C	D
02	1.25	5.75	3.75	0.75	09	10.00	14.50	12.50	4.65
03	2.50	7.00	5.00	1.60	10	11.25	15.75	13.75	6.60
04	3.75	8.25	6.25	2.65	11	12.25	17.00	15.00	6.60
05	5.00	9.50	7.50	2.50	12	13.75	18.25	16.25	6.60
06	6.25	10.75	8.75	4.65	13	15.00	19.50	17.50	6.60
07	7.50	12.00	10.00	4.65	14	16.25	20.75	18.75	6.60
08	8.75	13.25	11.25	4.65	15	17.50	22.00	20.00	6.60

X1251WVS-XXHF-LPSN	LCP	Phosphor Bronze	X1251H
PART NO	Material	Material(Pin)	Suitable XKB Housing

DSND	SCALE: N/A	MODEL TYPE: 1.25mm Crimp Style Connector
DWN	VIEW:	PART NO.: X1251WVS-XXHF-LPSN
CHKD	UNIT: mm/in	DWG NO.: X-X1251WVS-XXHF-LPSN
APPD	SIZE: A4	



XKB INDUSTRIAL PRECISION CO.,LIMITED

WEIGHT	SHEET	REVISION
	1/1	A0

广东星坤科技股份有限公司

ΔX	日期
ΔX	日期
ΔX	日期
MARK	DESCRIPTION

文件工程章

REVISIONS	DATE	REVISED	APPROVED	UNSPECIFIED TOLERANCES
				ANGLAR ±5°
				L ≤ 4 ±0.2
				4 < L ≤ 16 ±0.3
				16 < L ≤ 63 ±0.4
				L > 63 ±0.5

**Specifications:**

规格:

**Voltage rating:50V AC/DC**

额定电压:50V AC/DC

**Current rating:1A AC/DC**

额定电流: 1A AC/DC

**Withstanding voltage:500V**

AC/minute

耐受电压: 500V AC/分钟

**Temperature range:-40℃~+110℃**

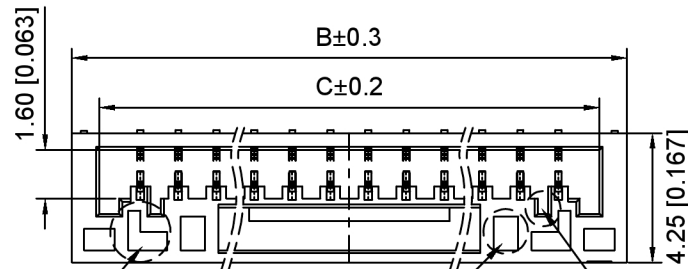
温度范围: -40℃~+110℃

**Insulation resistance:100MΩ min**

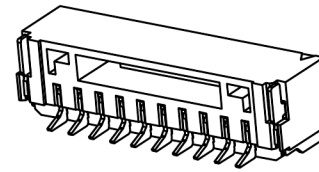
绝缘电阻: 100MΩ Min

**Contact resistance:20mΩ Max**

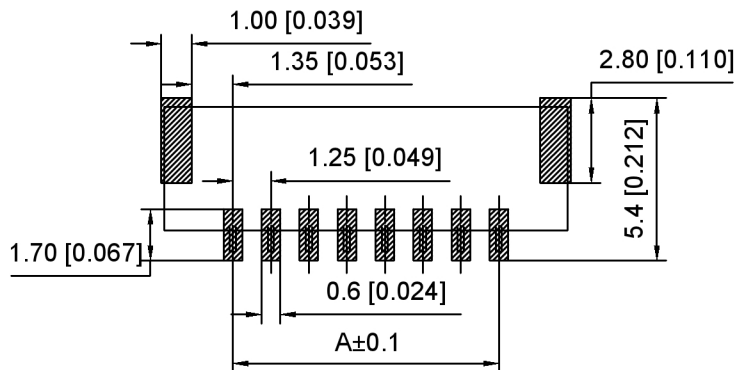
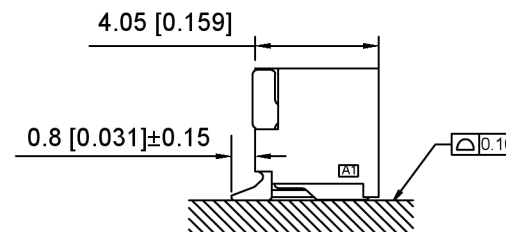
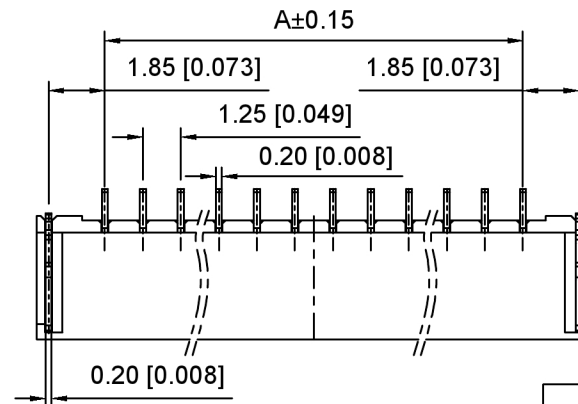
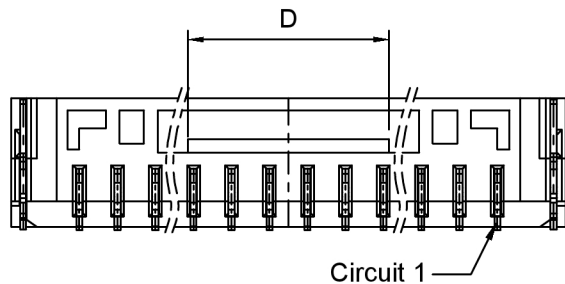
接触电阻: 20mΩ Max



2~6P无此左、右结构    2~11P无此左、右结构    2~7P无此左、右结构



3D VIEWS



X1251 W R S - XX HF - LP SW  
 ① ② ③ ④ ⑤ ⑥ ⑦ ⑧

1. Series No
2. Category:W-Wafer
3. Welding Board Angle:R-Stright 90°
4. Welding Way:S-SMT
5. Row No.Pin No:XX-02~15P
6. Special No:HF-Halogen free
7. Material:LP-LCP UL94V-0 Natural
8. Plating:SW -Matte Tin Plated

Poles	Dimensions(mm)				Poles	Dimensions(mm)			
	A	B	C	D		A	B	C	D
02	1.25	5.75	3.75	0.75	09	10.00	14.50	12.50	4.65
03	2.50	7.00	5.00	1.60	10	11.25	15.75	13.75	6.60
04	3.75	8.25	6.25	2.65	11	12.50	17.00	15.00	
05	5.00	9.50	7.50	2.50	12	13.75	18.25	16.25	
06	6.25	10.75	8.75	4.65	13	15.00	19.50	17.50	
07	7.50	12.00	10.00	4.65	14	16.25	20.75	18.75	
08	8.75	13.25	11.25	4.65	15	17.50	22.00	20.00	

X1251WRS-XXHF-LPSW	LCP	Phosphor Bronze	X1251H
PART NO	Material	Material(Pin)	Suitable XKB Housing

**SUGGESTED PCB LAYOUT**

广东星坤科技股份有限公司

MARK	DESCRIPTION	DATE	REVISED	APPROVED	UNSPECIFIED TOLERANCES
ΔX					ANGLAR ±5°
△X					L ≤ 4 ±0.2
△X					4 < L ≤ 16 ±0.3
					16 < L ≤ 63 ±0.4
					L > 63 ±0.5

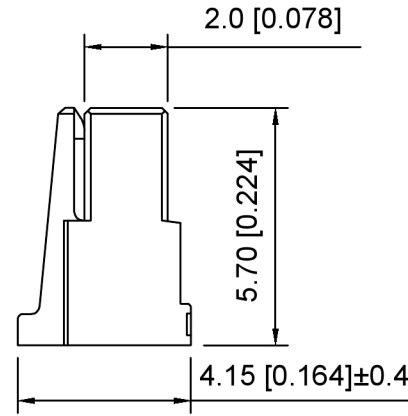
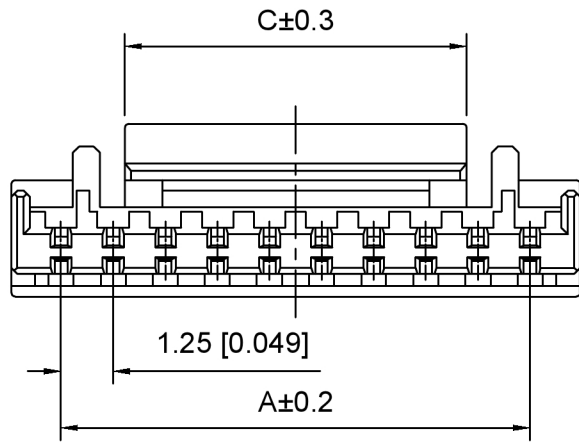


DSND	SCALE: N/A	MODEL TYPE:
DWN	VIEW:	1.25mm Crimp Style Connector
CHKD	UNIT: mm/in	PART NO.:
APPD	SIZE: A4	X1251WRS-XXHF-LPSW
		DWG NO.:
		X-X1251WRS-XXHF-LPSW

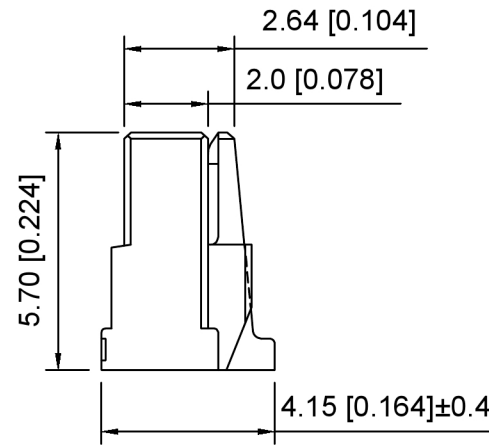
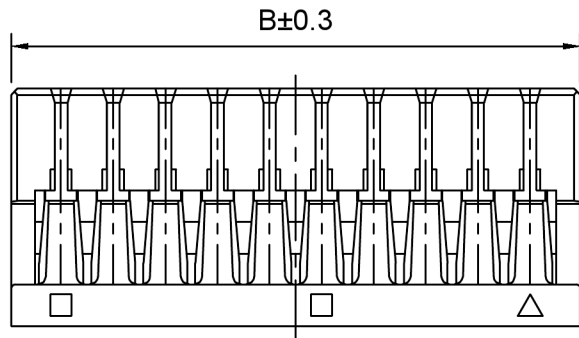
文件工程章

REVISIONS	UNSPECIFIED TOLERANCES	www.helloxkb.com	www.helloxkb.cn	www.xk-dg.cn
-----------	------------------------	------------------	-----------------	--------------

XKB INDUSTRIAL PRECISION CO., LIMITED			WEIGHT	SHEET	REVISION
				1/1	A0



2~4 Pin



5~15 Pin

Specifications:

规格:

- Voltage rating: 50V AC/DC
- 额定电压: 50V AC/DC
- Current rating: 1A AC/DC
- 额定电流: 1A AC/DC
- Withstanding voltage: 100V AC/minute
- 耐受电压: 100V AC/分钟
- Temperature range: -25°C~+85°C
- 温度范围: -25°C~+85°C
- Insulation resistance: ≤100MΩ
- 绝缘电阻: ≤100MΩ
- Contact resistance: 30mΩ Max
- 接触电阻: 30mΩ Max

X1251 H - XX - N0

① ② ③ ④

- 1. Series No
- 2. Category: H-HSG
- 3. Row No. Pin No: XX-02~10P
- 5. Material: N0-Nylon 66 UL94V-0 ;

Poles	Dimensions(mm)			Poles	Dimensions(mm)		
	A	B	C		A	B	C
02	1.25	3.65	1.90	09	10.00	12.40	6.25
03	2.50	3.90	3.10	10	11.25	13.65	8.20
04	3.75	6.15	4.25	11	12.50	14.90	
05	5.00	7.40	4.25	12	13.75	16.15	
06	6.25	8.65	6.25	13	15.00	17.40	
07	7.50	9.90	6.25	14	16.25	18.65	
08	8.75	11.15	6.25	15	17.50	19.90	

X1251H-XX-N0	PA66	AWG#26~30	X1251W	X1251T
PART NO	Material	Wire Range	Suitable XKB Wafer	Suitable XKB Terminal

DSND	SCALE: N/A	MODEL TYPE: 1.25mm Crimp Style Connector
DWN	VIEW:	PART NO.: X1251H-XX-N0
CHKD	UNIT: mm/in	DWG NO.: X-X1251H-XX-N0
APPD	SIZE: A4	WEIGHT SHEET REVISION



XKB INDUSTRIAL PRECISION CO., LIMITED

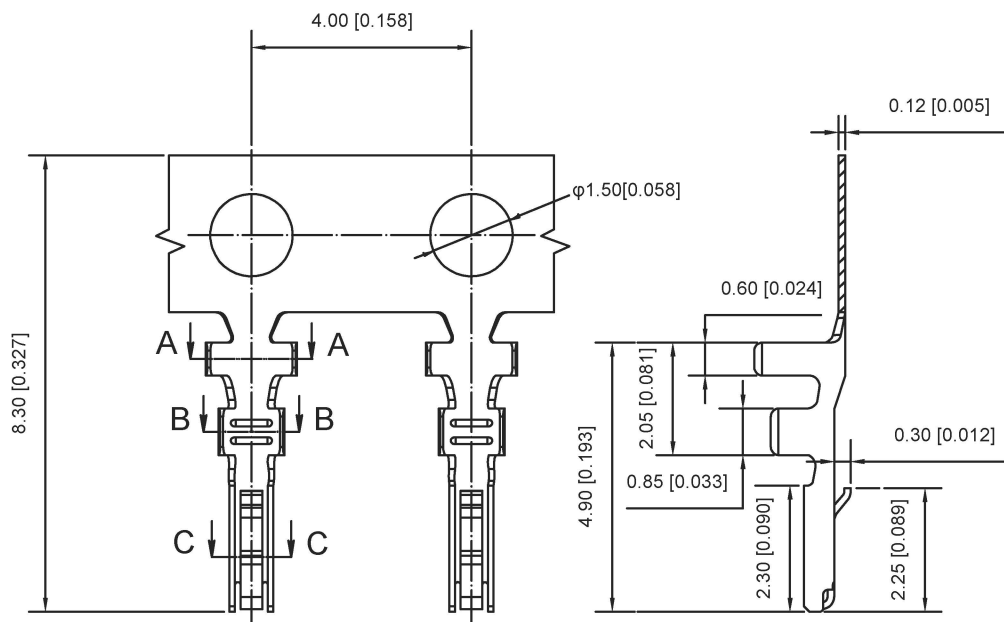
1/1 A0

广东星坤科技股份有限公司

Δ*	日期
Δx	
Δx	

文件工程章

MARK	DESCRIPTION	DATE	REVISED	APPROVED	ANGLAR	±5°
					L ≤ 4	±0.2
					4 < L ≤ 16	±0.3
					16 < L ≤ 63	±0.4
					L > 63	±0.5
					UNSPECIFIED TOLERANCES	



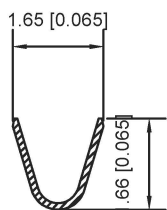
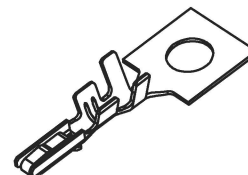
■ Specifications :

- Voltage rating: 50 V AC / DC
- Current rating: 1A AC / DC
- Withstanding voltage: 500V AC/minute
- Temperature range: -25°C~+85°C
- Insulation resistance:  $\geq 100M\Omega$
- Contact resistance:  $\leq 30m\Omega$
- After environmental testing :  $\leq 50m\Omega$

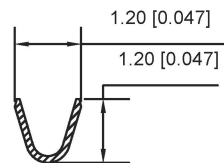
X1251 T-P SN

① ② ③ ④

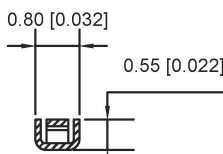
- ① Series Number.
- ② Category : T-terminal
- ③ Material : P-Phosphor bronze
- ④ Plating style:V01-Gold Flash;SN-Bright tin plating



SECTION:A-A  
SCALE:1:1



SECTION:B-B  
SCALE:1:1



SECTION:C-C  
SCALE:1:1

X1251T-PV01	Phosphor Bronze	AWG#26-30	1.00mm(Max)	Stamping Before Pating:30u" Ni MIN; Whole Gold:Gold Flash	X1251H
X1251T-PSN	Phosphor Bronze	AWG#26-30	1.00mm(Max)	Stamping Before Pating:30u" Ni MIN;70u"Sn MIN	
PART NO	Material	Wire Range	Insulation O.D	Finish	Suitable XKB Terminal

广东星坤科技股份有限公司

生效

$\Delta X$	日期
$\Delta X$	日期
$\Delta X$	日期
MARK	DESCRIPTION

文件工程章

REVISIONS

www.xk-dg.cn www.helloxkb.com www.helloxkb.cn

ANGLAR	$\pm 5^\circ$
$L \leq 4$	$\pm 0.2$
$4 < L \leq 16$	$\pm 0.3$
$16 < L \leq 63$	$\pm 0.4$
$L > 63$	$\pm 0.5$

UNSPECIFIED TOLERANCES

DSND	DATE	SCALE: N/A	MODEL TYPE: X1251T-PSN
DWN	DATE	VIEW:	PART NO.: 1.25mm Crimp Style Connectors
CHKD	DATE	UNIT: mm/in	DWG NO.:
APPD	DATE	SIZE: A4	
XKB INDUSTRIAL PRECISION CO., LIMITED			WEIGHT 1.0g
			SHEET 1/1
			REVISION A0