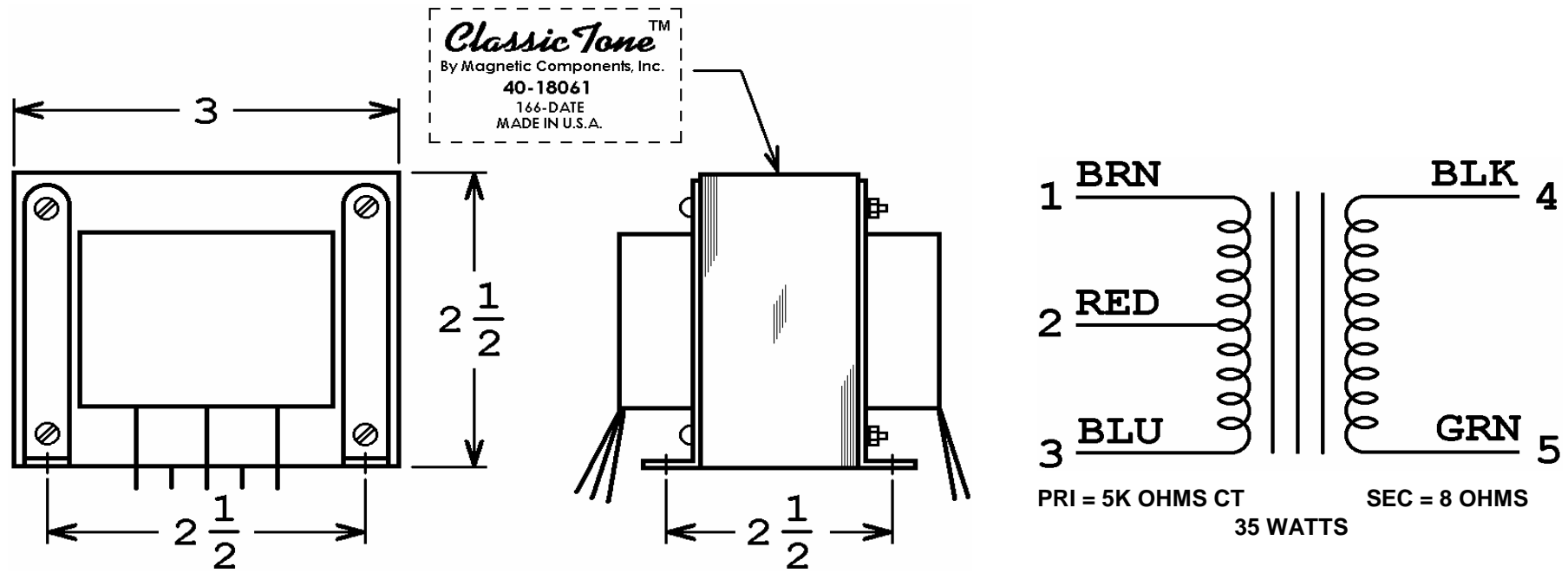


This drawing is the property of Magnetic Components, Inc. and shall not be reproduced, in whole or in part, without the written permission of Magnetic Components, Inc.

REVISIONS			
LTR	DESCRIPTION	DATE	APPROVED



VALCO :
E-3778A
340-3778
340-8
T3778
3778

UNLESS OTHERWISE SPECIFIED	
ALL DIMENSIONS IN INCHES DO NOT SCALE DRAWING	
FRACTIONS +/-	
.X = +/-	
.XX = +/-	
.XXX = +/-	
ANGLES = +/-	

SIGNATURES		DATE
DRAWN : <i>MJF</i>		24 JAN 11
CHECK :		
APPR : <i>M. Lakota</i>		24 JAN 11

DRAWING No. : OOA-85362	
MAGNETIC COMPONENTS, INC.	
DIV : LOC : SCHILLER PK	
TITLE OUTPUT TRANSFORMER	
CAGE 50508	SIZE A
PART No. 40-18061	REV -
SCALE NONE	
SHEET :	