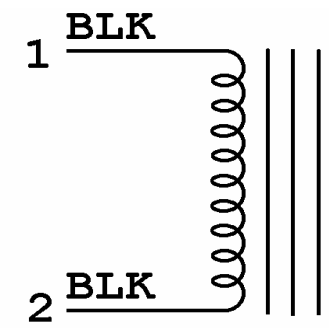
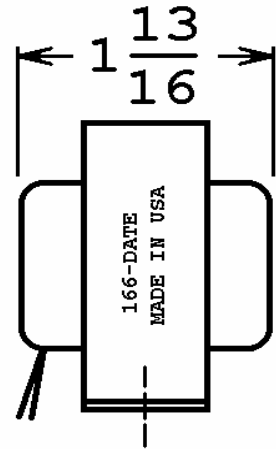
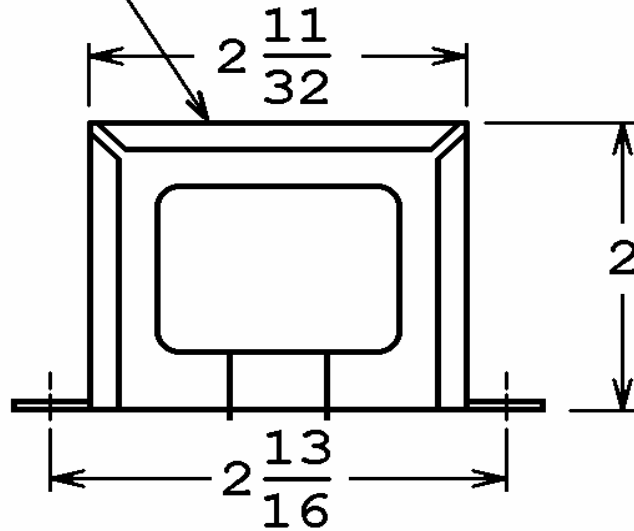


40-18003

This drawing is the property of Magnetic Components, Inc. and shall not be reproduced, in whole or in part, without the written permission of Magnetic Components, Inc.

REVISIONS			
LTR	DESCRIPTION	DATE	APPROVED
A	DEL TRU-TONE	05/01/09	M.S.
B	ADD ClassicTone, PROPRIETARY NOTE. L WAS O.C.Z.	01/06/10	M.S.
C	ADD D.C.R.	04/05/11	M.S.

Classic Tone™
By Magnetic Components, Inc.
40-18003



L = 4Hy @ 90mA DC
D.C.R. = 105 OHMS

FENDER P/N :
125C1A
022699

UNLESS OTHERWISE SPECIFIED		SIGNATURES		DATE	MAGNETIC COMPONENTS, INC.		DIV : LOC : SCHILLER PK		
ALL DIMENSIONS IN INCHES DO NOT SCALE DRAWING		DRAWN : <i>[Signature]</i>		23 FEB 09	TITLE 4 Hy CHOKE				
		CHECK :							
FRACTIONS +/-		APPR : <i>[Signature]</i>		23 FEB 09	CAGE	50508	SIZE	PART No.	REV
.X = +/-							A	40-18003	C
.XX = +/-					SCALE	NONE			
.XXX = +/-									
ANGLES = +/-									