



advanced reader technologies

i-scan

Long range
antennas for
Long Range Reader
ID ISC.LR200-x
and Long Range
Reader module
ID ISC.LRM200-x

ID ISC.ANT
300/300-A
800/600-A
800/600-B



Antenna program to be used with
OBID® *i-scan* Long Range Readers for
identification of Smart Labels.

Features:

- Great variability due to different antenna-conceptions (single antennas, gate antennas)
- The use of a Power Splitter ID ISC.ANT.PS-A facilitates the connection of several antennas to one reader
- Reduction of special interferences within the industrial environment due to the use of an Antenna Transformer ID ISC.ANT.T-A

Short description and technical information

Short description

OBID[®] *i-scan* long range antennas are operated in combination with the Long Range Reader ID ISC.LR200-x and the Long Range Reader module ID ISC.LRM200-x. Depending on the application, single- or gate antennas may be used.

For applications with only one reading alignment of up to 80 cm, a base antenna (-A) in form of a single antenna will be sufficient.

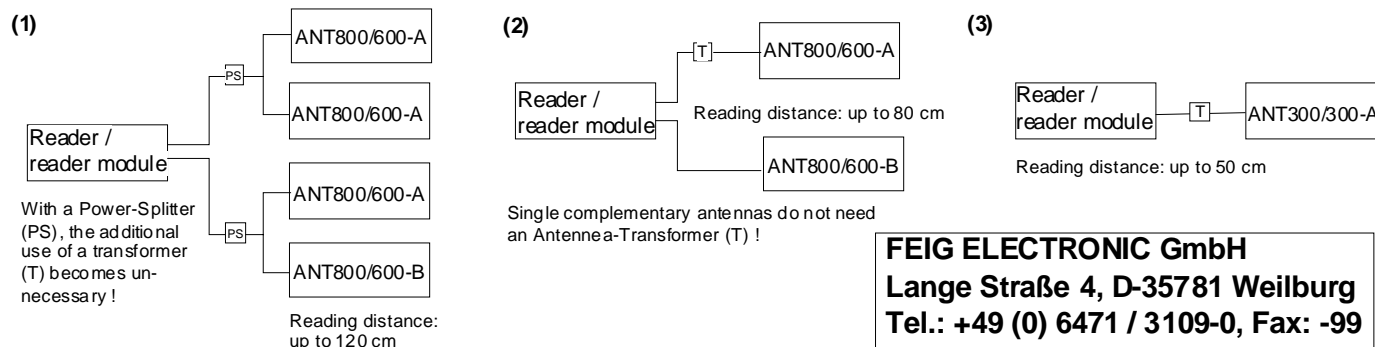
For higher ranges of up to approx. 120 cm and applications with multi-directional reading alignment, the use of a complementary antenna (-B) becomes necessary. For industrial applications, we recommend the use of an Antenna-Transformer (ID ISC.ANT.T-A), which will reduce any additional interferences occurring in such areas.

If you use three or four antennas for gate solutions, one or two Power-Splitter (ID ISC.ANT.PS-A) are necessary in order to facilitate the connection of two base- or complementary antennas to one reader.

Technical data

	ID ISC.ANT300/300- A	ID ISC.ANT800/600-A	ID ISC.ANT800/600-B	ID ISC.ANT.PS-A	ID ISC.ANT.T-A
Housing	Plastic ABS	Plastic ABS	Plastic ABS	Plastic ABS	Plastic ABS
Colour	black	black	black	white	white
Dimensions (W x H x D)	322 x 337 x 38 mm	851 x 620 x 38 mm	851 x 620 x 38 mm	94 x 94 x 57 mm	94 x 94 x 57 mm
Weight	0,7 kg	2,7 kg	2,5 kg	0,3 kg	0,25 kg
Protection class	IP 65	IP 65	IP 65	IP 65	IP 65
Maximum trans- mitting power	10 W	10 W	10 W	--	--
Admissible transmitting power	4 W (without shield)	4 W (without shield, with 2 antennas)	4 W (without shield, 2 -B con- nected with 2-A)	--	--
Reading distance	up to 50 cm	up to 80 cm	up to 120 cm (gate-solution)	--	--
Antenna connection	Koax cable RG58 (3,6 m), SMA-plug	Koax cable RG58 (3,6 m), SMA-plug	Koax cable RG58 (3,6 m), SMA-plug	--	--
Maximum input power	--	--	--	10 W	10 W
Impedance	--	--	--	50 Ω +/- 3 Ω	50 Ω +/- 3 Ω
Phase	--	--	--	0° +/- 3°	0° +/- 3°
SWR	--	--	--	max. 1,3 : 1	max. 1,3 : 1
Input losses	--	--	--	1 dB	1 dB
Operating frequency	13,56 MHz	13,56 MHz	13,56 MHz	13,56 MHz	13,56 MHz
Temperature range - operation - storage	-25°C up to 60°C -25°C up to 80°C	-25°C up to 55°C -25°C up to 70°C	-25°C up to 55°C -25°C up to 70°C	-25°C up to 65°C -25°C up to 80°C	-25°C up to 65°C -25°C up to 80°C
Vibration 10 Hz up to 150 Hz:	EN60068-2-6 0,15 mm / 2g	EN60068-2-6 0,15 mm / 2g	EN60068-2-6 0,15 mm / 2g	EN60068-2-6 0,15 mm / 2g	EN60068-2-6 0,15 mm / 2g
Shock acceleration:	EN60068-2-27 30g	EN60068-2-27 30g	EN60068-2-27 30g	EN60068-2-27 30g	EN60068-2-27 30g

Possible equipment flowsheets



FEIG ELECTRONIC GmbH
 Lange Straße 4, D-35781 Weilburg
 Tel.: +49 (0) 6471 / 3109-0, Fax: -99
 Internet: <http://www.feig.de>
 e-mail: OBID@feig.de