

AN-1418 LM2736 Evaluation Board

1 Introduction

The LM2736 demo board is configured to convert 5V input to 1.5V output at 750 mA load current using the LM2736X 1.6 MHz or the LM2736Y 550 kHz step down DC-DC regulator. The tiny low profile thin SOT23 package allows the demo board to be manufactured using less than 1 square inch of a 4-layer printed circuit board.

The circuit is configured with the boost diode connected to V_{IN} , and according to the datasheet, V_{IN} must not exceed the maximum operating limit of $5.5V + V_{fD2}$ using this configuration. This will ensure that the voltage between the Boost and SW pins, $V_{BOOST} - V_{SW}$, does not exceed 5.5V for proper operation. For more information regarding this requirement, see the *LM2736 Thin SOT 750mA Load Step-Down DC-DC Regulator Data Sheet* ([SNVS316](#)).

A bill of materials below describes the parts used on this demo board. A schematic and layout have also been included below along with measured performance characteristics. The schematics at the end of this document show how to re-configure this demo board for various input and output conditions as discussed in the LM2736 datasheet. Short or leave open the indicated connection as indicated in the schematics. The above restrictions for the input voltage are valid only for the demo board as shipped with the demo board schematic below.

2 Operating Conditions

$V_{IN} = 5V$
 $V_O = 1.5V$
 $I_o = 750\text{ mA}$

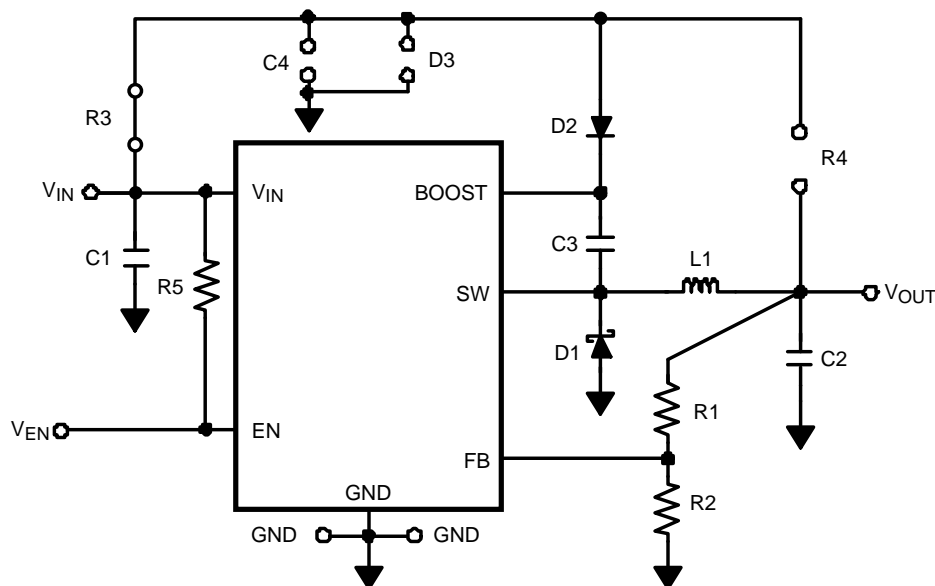


Figure 1. LM2736 Demo Board Schematic

All trademarks are the property of their respective owners.

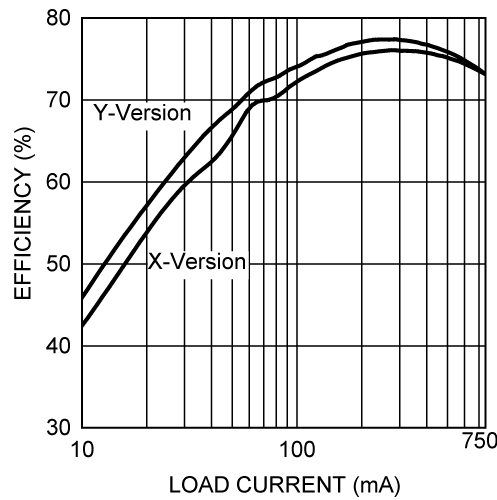


Figure 2. Efficiency vs Load Current

Table 1. Bill of Materials (BOM) X-Version

Part ID	Part Value	Manufacturer	Part Number	Package Type
C1, Input Cap	4.7 μ F, 10V, X5R	Murata	GRM42-6X5R475K10	1206
C2, Output Cap	10 μ F, 6.3V, X5R	Murata	GRM42-6X5R106K6.3	1206
C3, Boost Cap	0.01 μ F	Vishay	VJ1206Y103KXXA	1206
D2, Boost Diode	1V _f @ 50 mA Diode	Diodes, Inc.	1N4148W	SOD-123
R2	10 k Ω , 1%	Vishay	CRCW12061002F	1206
U1	750 mA Buck Regulator	Texas Instruments	LM2736	Thin SOT23-6
D1, Catch Diode	0.34V _f Schottky 1A, 20V _R	International Rectifier	MBRA120	SMA
L1	4.7 μ H, 1.6A, 28 m Ω	TDK	SLF6028T-4R7M1R6	6028
R1	2 k Ω , 1%	Vishay	CRCW12062001F	1206
R3	0 Ω	Vishay	CRCW12060000F	1206
R5	50 k Ω , 1%	Vishay	CRCW08055002F	0805
D3, C4, R4	Open			

Table 2. Bill of Materials (BOM) Y-Version

Part ID	Part Value	Manufacturer	Part Number	Package Type
C1, Input Cap	10 μ F, 10V, X5R	Murata	GRM42-6X5R106K10	1206
C2, Output Cap	10 μ F, 6.3V, X5R	Murata	GRM42-6X5R106K6.3	1206
C3, Boost Cap	0.01 μ F	Vishay	VJ1206Y103KXXA	1206
D2, Boost Diode	1V _f @ 50 mA Diode	Diodes, Inc.	1N4148W	SOD-123
R2	10 k Ω , 1%	Vishay	CRCW12061002F	1206
U1	750 mA Buck Regulator	Texas Instruments	LM2736	Thin SOT23-6
D1, Catch Diode	0.34V _f Schottky 1A, 20V _R	International Rectifier	MBRA120	SMA
L1	10 μ H, 1.3A, 53 m Ω	TDK	SLF6028T-100M1R3	6028
R1	2 k Ω , 1%	Vishay	CRCW12062001F	1206
R3	0 Ω	Vishay	CRCW12060000F	1206
R5	50 k Ω , 1%	Vishay	CRCW08055002F	0805
D3, C4, R4	Open			

3 PCB Layout

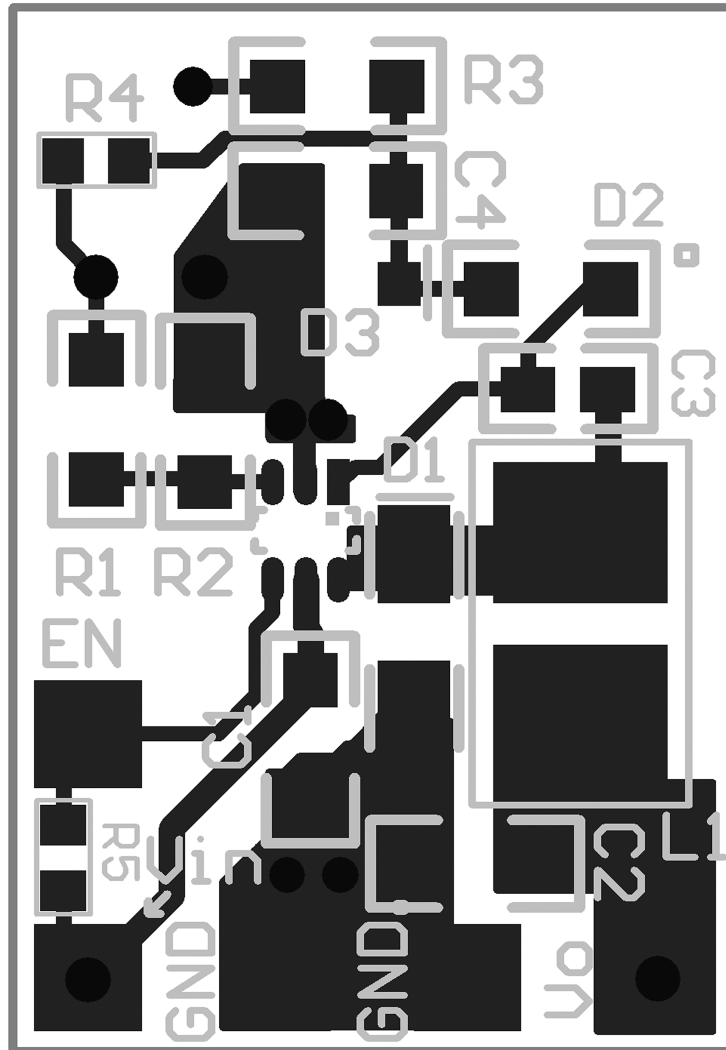


Figure 3. Top Layer

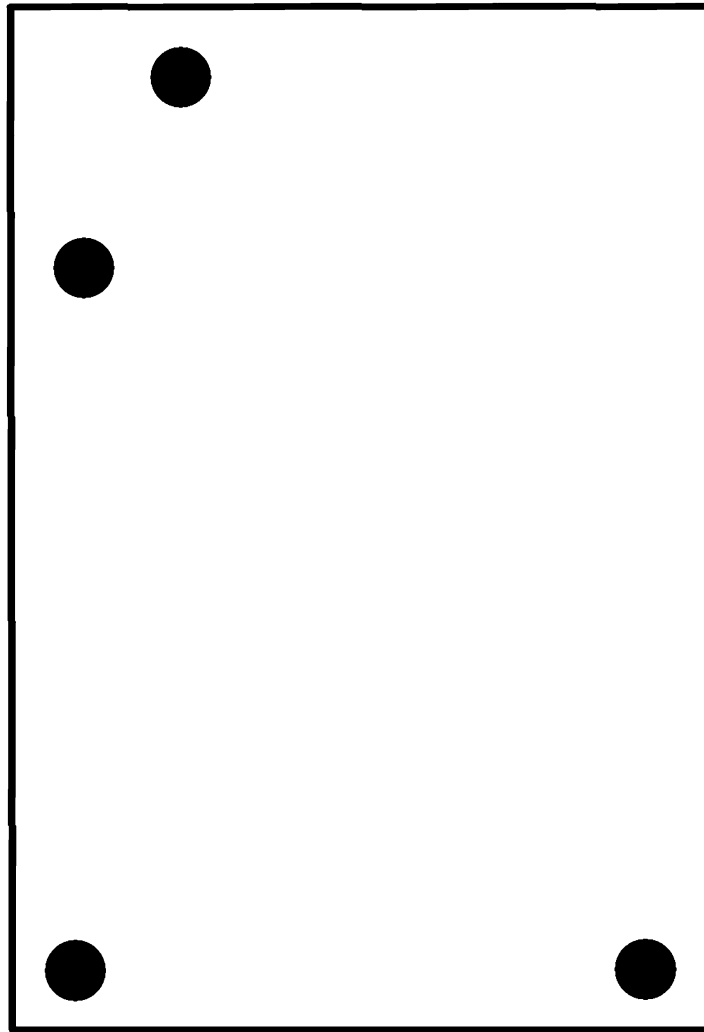


Figure 4. Internal Plane 1 (GND)

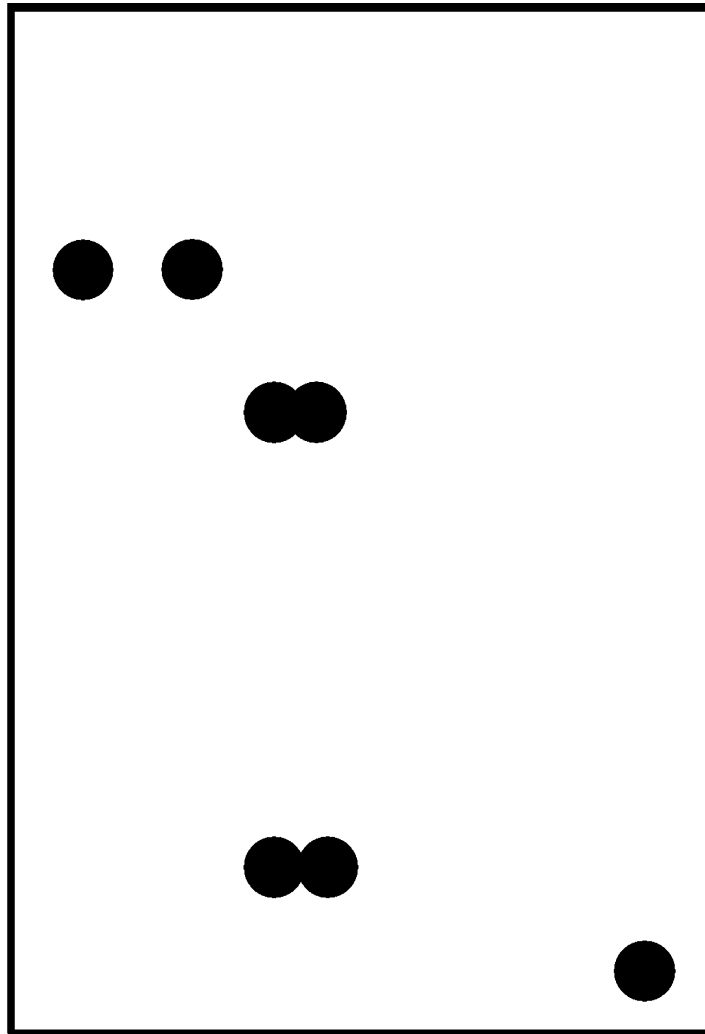


Figure 5. Internal Plane 2 (V_{IN})

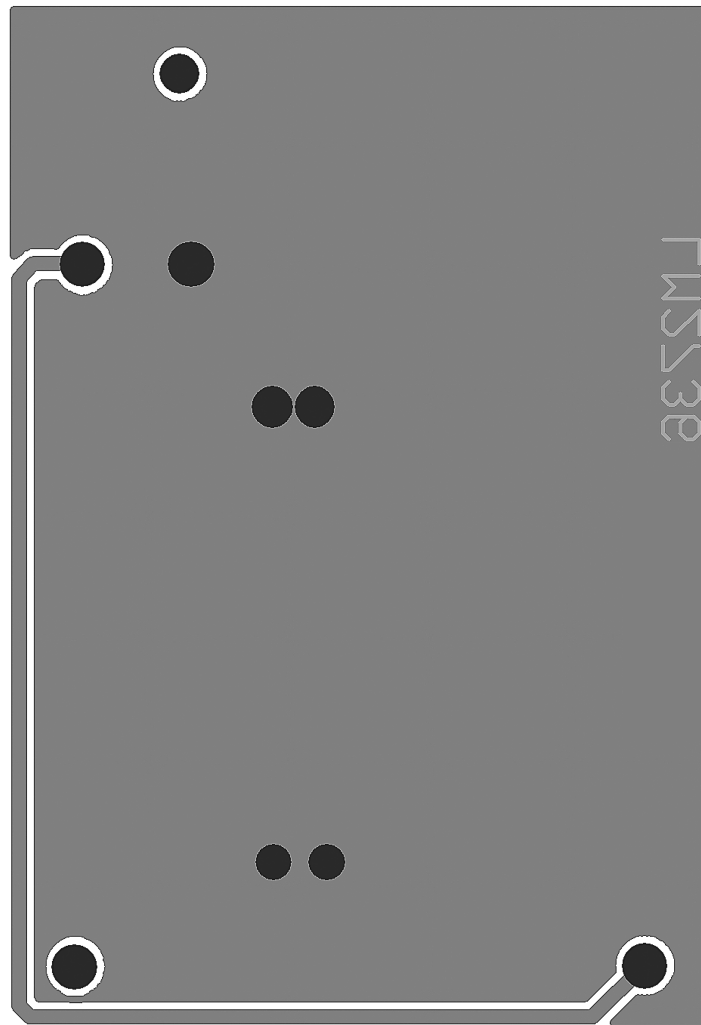


Figure 6. Bottom Layer

4 Additional Circuit Configuration Schematics

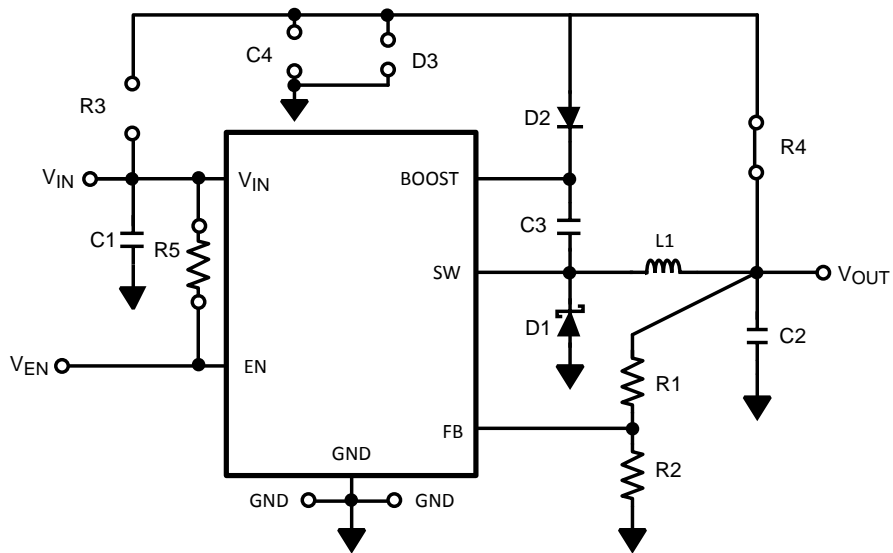


Figure 7. V_{BOOST} Derived From V_{OUT}

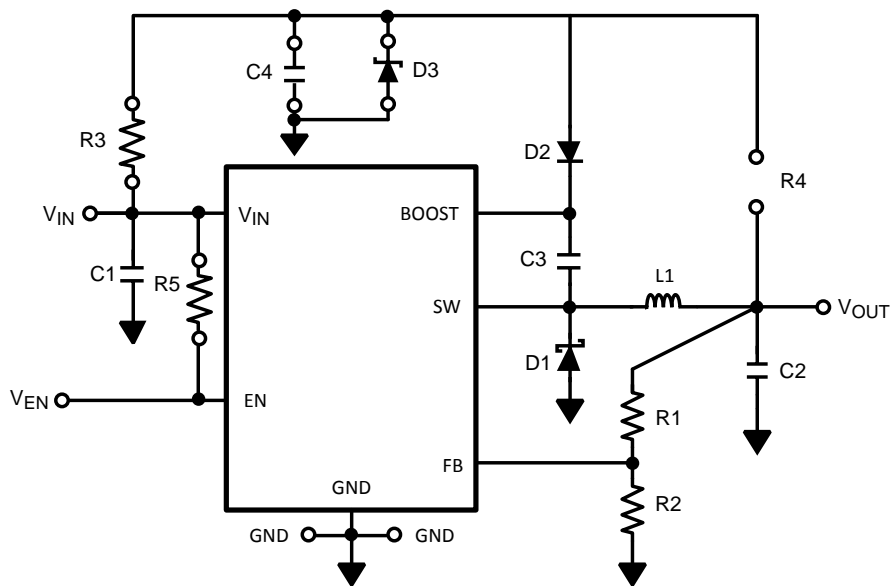


Figure 8. V_{BOOST} Derived From V_{SHUNT}

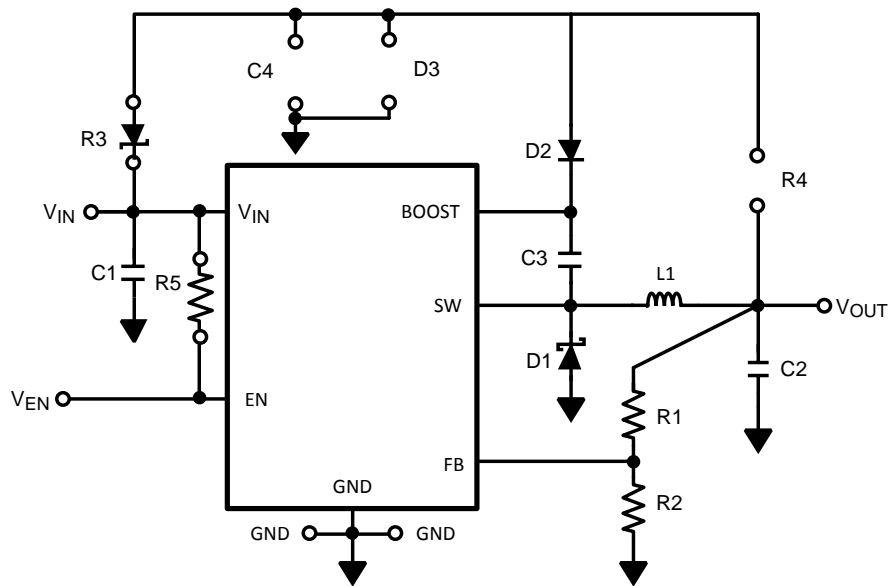


Figure 9. V_{BOOST} Derived From Series Zener Diode (V_{IN})

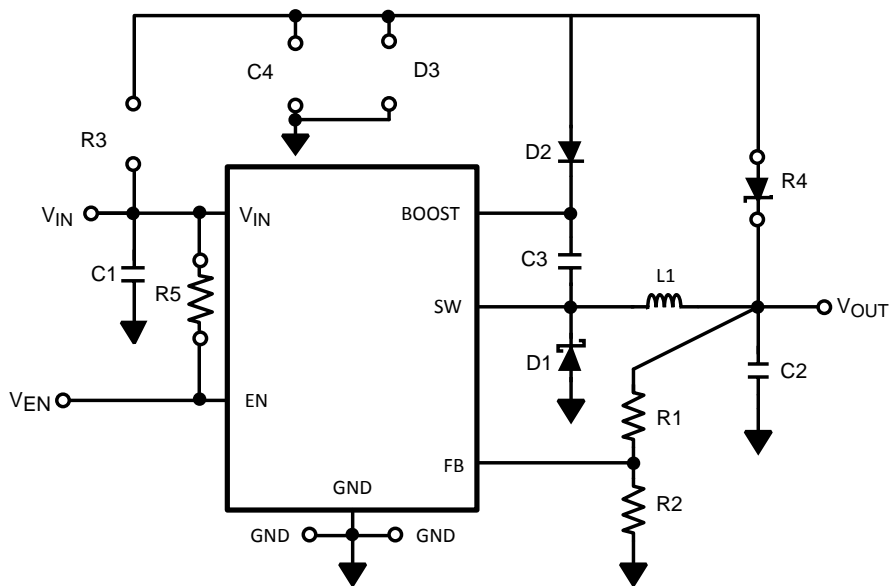


Figure 10. V_{BOOST} Derived From Series Zener Diode (V_{OUT})

IMPORTANT NOTICE

Texas Instruments Incorporated and its subsidiaries (TI) reserve the right to make corrections, enhancements, improvements and other changes to its semiconductor products and services per JESD46, latest issue, and to discontinue any product or service per JESD48, latest issue. Buyers should obtain the latest relevant information before placing orders and should verify that such information is current and complete. All semiconductor products (also referred to herein as "components") are sold subject to TI's terms and conditions of sale supplied at the time of order acknowledgment.

TI warrants performance of its components to the specifications applicable at the time of sale, in accordance with the warranty in TI's terms and conditions of sale of semiconductor products. Testing and other quality control techniques are used to the extent TI deems necessary to support this warranty. Except where mandated by applicable law, testing of all parameters of each component is not necessarily performed.

TI assumes no liability for applications assistance or the design of Buyers' products. Buyers are responsible for their products and applications using TI components. To minimize the risks associated with Buyers' products and applications, Buyers should provide adequate design and operating safeguards.

TI does not warrant or represent that any license, either express or implied, is granted under any patent right, copyright, mask work right, or other intellectual property right relating to any combination, machine, or process in which TI components or services are used. Information published by TI regarding third-party products or services does not constitute a license to use such products or services or a warranty or endorsement thereof. Use of such information may require a license from a third party under the patents or other intellectual property of the third party, or a license from TI under the patents or other intellectual property of TI.

Reproduction of significant portions of TI information in TI data books or data sheets is permissible only if reproduction is without alteration and is accompanied by all associated warranties, conditions, limitations, and notices. TI is not responsible or liable for such altered documentation. Information of third parties may be subject to additional restrictions.

Resale of TI components or services with statements different from or beyond the parameters stated by TI for that component or service voids all express and any implied warranties for the associated TI component or service and is an unfair and deceptive business practice. TI is not responsible or liable for any such statements.

Buyer acknowledges and agrees that it is solely responsible for compliance with all legal, regulatory and safety-related requirements concerning its products, and any use of TI components in its applications, notwithstanding any applications-related information or support that may be provided by TI. Buyer represents and agrees that it has all the necessary expertise to create and implement safeguards which anticipate dangerous consequences of failures, monitor failures and their consequences, lessen the likelihood of failures that might cause harm and take appropriate remedial actions. Buyer will fully indemnify TI and its representatives against any damages arising out of the use of any TI components in safety-critical applications.

In some cases, TI components may be promoted specifically to facilitate safety-related applications. With such components, TI's goal is to help enable customers to design and create their own end-product solutions that meet applicable functional safety standards and requirements. Nonetheless, such components are subject to these terms.

No TI components are authorized for use in FDA Class III (or similar life-critical medical equipment) unless authorized officers of the parties have executed a special agreement specifically governing such use.

Only those TI components which TI has specifically designated as military grade or "enhanced plastic" are designed and intended for use in military/aerospace applications or environments. Buyer acknowledges and agrees that any military or aerospace use of TI components which have **not** been so designated is solely at the Buyer's risk, and that Buyer is solely responsible for compliance with all legal and regulatory requirements in connection with such use.

TI has specifically designated certain components as meeting ISO/TS16949 requirements, mainly for automotive use. In any case of use of non-designated products, TI will not be responsible for any failure to meet ISO/TS16949.

Products

Audio	www.ti.com/audio
Amplifiers	amplifier.ti.com
Data Converters	dataconverter.ti.com
DLP® Products	www.dlp.com
DSP	dsp.ti.com
Clocks and Timers	www.ti.com/clocks
Interface	interface.ti.com
Logic	logic.ti.com
Power Mgmt	power.ti.com
Microcontrollers	microcontroller.ti.com
RFID	www.ti-rfid.com
OMAP Applications Processors	www.ti.com/omap
Wireless Connectivity	www.ti.com/wirelessconnectivity

Applications

Automotive and Transportation	www.ti.com/automotive
Communications and Telecom	www.ti.com/communications
Computers and Peripherals	www.ti.com/computers
Consumer Electronics	www.ti.com/consumer-apps
Energy and Lighting	www.ti.com/energy
Industrial	www.ti.com/industrial
Medical	www.ti.com/medical
Security	www.ti.com/security
Space, Avionics and Defense	www.ti.com/space-avionics-defense
Video and Imaging	www.ti.com/video

TI E2E Community

e2e.ti.com