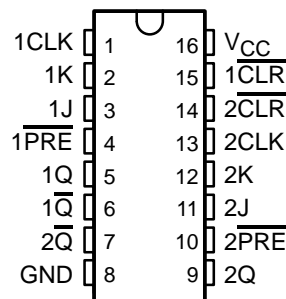


CD54AC112, CD74AC112 DUAL J-K NEGATIVE-EDGE-TRIGGERED FLIP-FLOPS WITH CLEAR AND PRESET

SCHS325 – JANUARY 2003

- **AC Types Feature 1.5-V to 5.5-V Operation and Balanced Noise Immunity at 30% of the Supply Voltage**
- **Speed of Bipolar F, AS, and S, With Significantly Reduced Power Consumption**
- **Balanced Propagation Delays**
- **± 24 -mA Output Drive Current**
– Fanout to 15 F Devices
- **SCR-Latchup-Resistant CMOS Process and Circuit Design**
- **Exceeds 2-kV ESD Protection Per MIL-STD-883, Method 3015**

CD54AC112 . . . F PACKAGE
CD74AC112 . . . E OR M PACKAGE
(TOP VIEW)



description/ordering information

The 'AC112 devices contain two independent J-K negative-edge-triggered flip-flops. A low level at the preset ($\overline{\text{PRE}}$) or clear ($\overline{\text{CLR}}$) inputs sets or resets the outputs, regardless of the levels of the other inputs. When $\overline{\text{PRE}}$ and $\overline{\text{CLR}}$ are inactive (high), data at the J and K inputs meeting the setup-time requirements is transferred to the outputs on the negative-going edge of the clock pulse (CLK). Clock triggering occurs at a voltage level and is not directly related to the fall time of the clock pulse. Following the hold-time interval, data at the J and K inputs may be changed without affecting the levels at the outputs. These versatile flip-flops can perform as toggle flip-flops by tying J and K high.

ORDERING INFORMATION

| T _A | PACKAGE† | | ORDERABLE PART NUMBER | TOP-SIDE MARKING |
|----------------|----------|---------------|-----------------------|------------------|
| –55°C to 125°C | PDIP – E | Tube | CD74AC112E | CD74AC112E |
| | SOIC – M | Tube | CD74AC112M | AC112M |
| | | Tape and reel | CD74AC112M96 | |
| | CDIP – F | Tube | CD54AC112F3A | CD54AC112F3A |

† Package drawings, standard packing quantities, thermal data, symbolization, and PCB design guidelines are available at www.ti.com/sc/package.



Please be aware that an important notice concerning availability, standard warranty, and use in critical applications of Texas Instruments semiconductor products and disclaimers thereto appears at the end of this data sheet.

PRODUCTION DATA information is current as of publication date. Products conform to specifications per the terms of Texas Instruments standard warranty. Production processing does not necessarily include testing of all parameters.

**TEXAS
INSTRUMENTS**

POST OFFICE BOX 655303 • DALLAS, TEXAS 75265

Copyright © 2003, Texas Instruments Incorporated
On products compliant to MIL-PRF-38535, all parameters are tested unless otherwise noted. On all other products, production processing does not necessarily include testing of all parameters.

CD54AC112, CD74AC112
DUAL J-K NEGATIVE-EDGE-TRIGGERED FLIP-FLOPS
WITH CLEAR AND PRESET

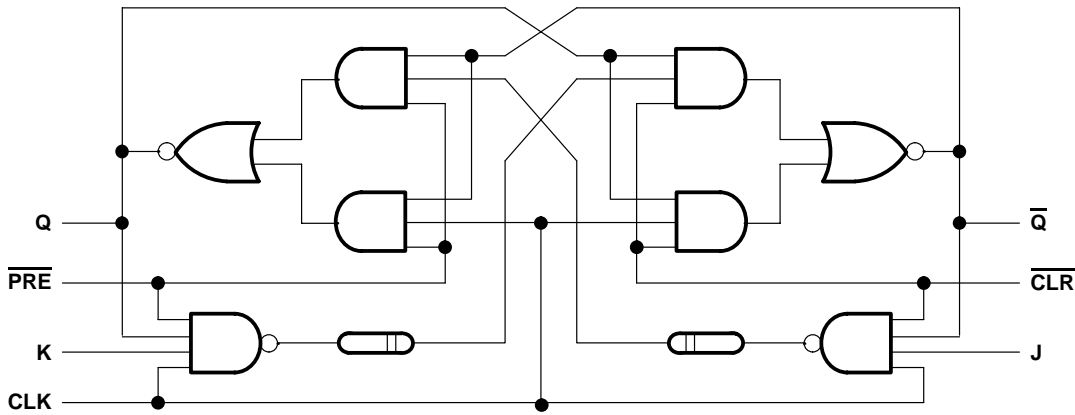
SCHS325 – JANUARY 2003

FUNCTION TABLE
 (each flip-flop)

| INPUTS | | | | | OUTPUTS | |
|-------------------------|-------------------------|-----|---|---|----------------|-------------------------|
| $\overline{\text{PRE}}$ | $\overline{\text{CLR}}$ | CLK | J | K | Q | $\overline{\text{Q}}$ |
| L | H | X | X | X | H | L |
| H | L | X | X | X | L | H |
| L | L | X | X | X | H [†] | H [†] |
| H | H | ↓ | L | L | Q ₀ | $\overline{\text{Q}}_0$ |
| H | H | ↓ | H | L | H | L |
| H | H | ↓ | L | H | L | H |
| H | H | ↓ | H | H | Toggle | Toggle |
| H | H | H | X | X | Q ₀ | $\overline{\text{Q}}_0$ |

[†] Output states are unpredictable if $\overline{\text{PRE}}$ and $\overline{\text{CLR}}$ go high simultaneously after both being low at the same time.

logic diagram (positive logic)



absolute maximum ratings over operating free-air temperature range (unless otherwise noted)[†]

| | |
|-------------------------------------------------------------------------------------|----------------|
| Supply voltage range, V_{CC} | -0.5 V to 6 V |
| Input clamp current, I_{IK} ($V_I < 0$ V or $V_I > V_{CC}$) (see Note 1) | ± 20 mA |
| Output clamp current, I_{OK} ($V_O < 0$ V or $V_O > V_{CC}$) (see Note 1) | ± 50 mA |
| Continuous output current, I_O ($V_O > 0$ V or $V_O < V_{CC}$) | ± 50 mA |
| Continuous current through V_{CC} or GND | ± 100 mA |
| Package thermal impedance, θ_{JA} (see Note 2): E package | 67°C/W |
| M package | 73°C/W |
| Storage temperature range, T_{stg} | -65°C to 150°C |

[†] Stresses beyond those listed under “absolute maximum ratings” may cause permanent damage to the device. These are stress ratings only, and functional operation of the device at these or any other conditions beyond those indicated under “recommended operating conditions” is not implied. Exposure to absolute-maximum-rated conditions for extended periods may affect device reliability.

- NOTES: 1. The input and output voltage ratings may be exceeded if the input and output current ratings are observed.
 2. The package thermal impedance is calculated in accordance with JESD 51-7.



CD54AC112, CD74AC112 DUAL J-K NEGATIVE-EDGE-TRIGGERED FLIP-FLOPS WITH CLEAR AND PRESET

SCHS325 – JANUARY 2003

recommended operating conditions (see Note 3)

| | | T _A = 25°C | | -55°C to 125°C | | -40°C to 85°C | | UNIT |
|-----------------|------------------------------------|----------------------------------|-----------------|----------------|-----------------|---------------|-----------------|------|
| | | MIN | MAX | MIN | MAX | MIN | MAX | |
| V _{CC} | Supply voltage | 1.5 | 5.5 | 1.5 | 5.5 | 1.5 | 5.5 | V |
| V _{IH} | High-level input voltage | V _{CC} = 1.5 V | | 1.2 | | 1.2 | | V |
| | | V _{CC} = 3 V | | 2.1 | | 2.1 | | |
| | | V _{CC} = 5.5 V | | 3.85 | | 3.85 | | |
| V _{IL} | Low-level input voltage | V _{CC} = 1.5 V | | 0.3 | | 0.3 | | V |
| | | V _{CC} = 3 V | | 0.9 | | 0.9 | | |
| | | V _{CC} = 5.5 V | | 1.65 | | 1.65 | | |
| V _I | Input voltage | 0 | V _{CC} | 0 | V _{CC} | 0 | V _{CC} | V |
| V _O | Output voltage | 0 | V _{CC} | 0 | V _{CC} | 0 | V _{CC} | V |
| I _{OH} | High-level output current | V _{CC} = 4.5 V to 5.5 V | | -24 | | -24 | | mA |
| I _{OL} | Low-level output current | V _{CC} = 4.5 V to 5.5 V | | 24 | | 24 | | mA |
| Δt/Δv | Input transition rise or fall rate | V _{CC} = 1.5 V to 3 V | | 50 | | 50 | | ns/V |
| | | V _{CC} = 3.6 V to 5.5 V | | 20 | | 20 | | |

NOTE 3: All unused inputs of the device must be held at V_{CC} or GND to ensure proper device operation. Refer to the TI application report, *Implications of Slow or Floating CMOS Inputs*, literature number SCBA004.

electrical characteristics over recommended operating free-air temperature range (unless otherwise noted)

| PARAMETER | TEST CONDITIONS | V _{CC} | T _A = 25°C | | -55°C to 125°C | | -40°C to 85°C | | UNIT |
|-----------------|-------------------------------------------------------------|---------------------------------------|-----------------------|------|----------------|------|---------------|-----|------|
| | | | MIN | MAX | MIN | MAX | MIN | MAX | |
| V _{OH} | V _I = V _{IH} or V _{IL} | I _{OH} = -50 μA | 1.5 V | 1.4 | 1.4 | 1.4 | V | | |
| | | | 3 V | 2.9 | 2.9 | 2.9 | | | |
| | | | 4.5 V | 4.4 | 4.4 | 4.4 | | | |
| | | I _{OH} = -4 mA | 3 V | 2.58 | 2.4 | 2.48 | | | |
| | | I _{OH} = -24 mA | 4.5 V | 3.94 | 3.7 | 3.8 | | | |
| | | I _{OH} = -50 mA [†] | 5.5 V | | 3.85 | | | | |
| V _{OL} | V _I = V _{IH} or V _{IL} | I _{OL} = 50 μA | 1.5 V | 0.1 | 0.1 | 0.1 | V | | |
| | | | 3 V | 0.1 | 0.1 | 0.1 | | | |
| | | | 4.5 V | 0.1 | 0.1 | 0.1 | | | |
| | | I _{OL} = 12 mA | 3 V | 0.36 | 0.5 | 0.44 | | | |
| | | I _{OL} = 24 mA | 4.5 V | 0.36 | 0.5 | 0.44 | | | |
| | | I _{OL} = 50 mA [†] | 5.5 V | | 1.65 | | | | |
| I _I | V _I = V _{CC} or GND | 5.5 V | ±0.1 | ±1 | ±1 | μA | | | |
| I _{CC} | V _I = V _{CC} or GND, I _O = 0 | 5.5 V | 4 | 80 | 40 | μA | | | |
| C _i | | | 10 | 10 | 10 | pF | | | |

[†] Test one output at a time, not exceeding 1-second duration. Measurement is made by forcing indicated current and measuring voltage to minimize power dissipation. Test verifies a minimum 50-Ω transmission-line drive capability at 85°C and 75-Ω transmission-line drive capability at 125°C.



CD54AC112, CD74AC112
DUAL J-K NEGATIVE-EDGE-TRIGGERED FLIP-FLOPS
WITH CLEAR AND PRESET

SCHS325 – JANUARY 2003

timing requirements over recommended operating free-air temperature range, $V_{CC} = 1.5\text{ V}$ (unless otherwise noted)

| | | -55°C to 125°C | | -40°C to 85°C | | UNIT |
|--------------------|----------------------------|--------------------------------------------------------------------|-----|---------------|-----|------|
| | | MIN | MAX | MIN | MAX | |
| f_{clock} | Clock frequency | 8 | | 9 | | MHz |
| t_w | Pulse duration | CLK high or low | | 55 | | ns |
| | | $\overline{\text{CLR}}$ or $\overline{\text{PRE}}$ low | | 49 | | |
| t_{su} | Setup time, before CLK↓ | J or K | | 44 | | ns |
| t_{h} | Hold time, after CLK↓ | J or K | | 0 | | ns |
| t_{rec} | Recovery time, before CLK↓ | $\overline{\text{CLR}}\uparrow$ or $\overline{\text{PRE}}\uparrow$ | | 27 | | ns |

timing requirements over recommended operating free-air temperature range, $V_{CC} = 3.3\text{ V} \pm 0.3\text{ V}$ (unless otherwise noted)

| | | -55°C to 125°C | | -40°C to 85°C | | UNIT |
|--------------------|----------------------------|--------------------------------------------------------------------|-----|---------------|-----|------|
| | | MIN | MAX | MIN | MAX | |
| f_{clock} | Clock frequency | 71 | | 81 | | MHz |
| t_w | Pulse duration | CLK high or low | | 6 | | ns |
| | | $\overline{\text{CLR}}$ or $\overline{\text{PRE}}$ low | | 5.5 | | |
| t_{su} | Setup time, before CLK↓ | J or K | | 4.9 | | ns |
| t_{h} | Hold time, after CLK↓ | J or K | | 0 | | ns |
| t_{rec} | Recovery time, before CLK↓ | $\overline{\text{CLR}}\uparrow$ or $\overline{\text{PRE}}\uparrow$ | | 3.1 | | ns |

timing requirements over recommended operating free-air temperature range, $V_{CC} = 5\text{ V} \pm 0.5\text{ V}$ (unless otherwise noted)

| | | -55°C to 125°C | | -40°C to 85°C | | UNIT |
|--------------------|----------------------------|--------------------------------------------------------------------|-----|---------------|-----|------|
| | | MIN | MAX | MIN | MAX | |
| f_{clock} | Clock frequency | 100 | | 114 | | MHz |
| t_w | Pulse duration | CLK high or low | | 4.4 | | ns |
| | | $\overline{\text{CLR}}$ or $\overline{\text{PRE}}$ low | | 3.9 | | |
| t_{su} | Setup time, before CLK↓ | J or K | | 3.5 | | ns |
| t_{h} | Hold time, after CLK↓ | J or K | | 0 | | ns |
| t_{rec} | Recovery time, before CLK↓ | $\overline{\text{CLR}}\uparrow$ or $\overline{\text{PRE}}\uparrow$ | | 2.2 | | ns |



CD54AC112, CD74AC112
DUAL J-K NEGATIVE-EDGE-TRIGGERED FLIP-FLOPS
WITH CLEAR AND PRESET

SCHS325 – JANUARY 2003

switching characteristics over recommended operating free-air temperature range,
 $V_{CC} = 1.5\text{ V}$, $C_L = 50\text{ pF}$ (unless otherwise noted) (see Figure 1)

| PARAMETER | FROM (INPUT) | TO (OUTPUT) | –55°C to 125°C | | –40°C to 85°C | | UNIT |
|-----------|----------------------------------------------------|----------------|-------------------|-----|------------------|-----|------|
| | | | MIN | MAX | MIN | MAX | |
| f_{max} | | | 8 | | 9 | | MHz |
| t_{PLH} | CLK | Q or \bar{Q} | | 129 | | 117 | ns |
| | $\overline{\text{CLR}}$ or $\overline{\text{PRE}}$ | | | 153 | | 139 | |
| t_{PHL} | CLK | Q or \bar{Q} | | 129 | | 117 | ns |
| | $\overline{\text{CLR}}$ or $\overline{\text{PRE}}$ | | | 153 | | 139 | |

switching characteristics over recommended operating free-air temperature range,
 $V_{CC} = 3.3\text{ V} \pm 0.3\text{ V}$, $C_L = 50\text{ pF}$ (unless otherwise noted) (see Figure 1)

| PARAMETER | FROM (INPUT) | TO (OUTPUT) | –55°C to 125°C | | –40°C to 85°C | | UNIT |
|-----------|----------------------------------------------------|----------------|-------------------|------|------------------|------|------|
| | | | MIN | MAX | MIN | MAX | |
| f_{max} | | | 71 | | 81 | | MHz |
| t_{PLH} | CLK | Q or \bar{Q} | 3.6 | 14.4 | 3.7 | 13.1 | ns |
| | $\overline{\text{CLR}}$ or $\overline{\text{PRE}}$ | | 4.3 | 17.1 | 4.4 | 15.5 | |
| t_{PHL} | CLK | Q or \bar{Q} | 3.6 | 14.4 | 3.7 | 13.1 | ns |
| | $\overline{\text{CLR}}$ or $\overline{\text{PRE}}$ | | 4.3 | 17.1 | 4.4 | 15.5 | |

switching characteristics over recommended operating free-air temperature range,
 $V_{CC} = 5\text{ V} \pm 0.5\text{ V}$, $C_L = 50\text{ pF}$ (unless otherwise noted) (see Figure 1)

| PARAMETER | FROM (INPUT) | TO (OUTPUT) | –55°C to 125°C | | –40°C to 85°C | | UNIT |
|-----------|----------------------------------------------------|----------------|-------------------|------|------------------|------|------|
| | | | MIN | MAX | MIN | MAX | |
| f_{max} | | | 100 | | 114 | | MHz |
| t_{PLH} | CLK | Q or \bar{Q} | 2.6 | 10.3 | 2.7 | 9.4 | ns |
| | $\overline{\text{CLR}}$ or $\overline{\text{PRE}}$ | | 3.1 | 12.2 | 3.2 | 11.1 | |
| t_{PHL} | CLK | Q or \bar{Q} | 2.6 | 10.3 | 2.7 | 9.4 | ns |
| | $\overline{\text{CLR}}$ or $\overline{\text{PRE}}$ | | 3.1 | 12.2 | 3.2 | 11.1 | |

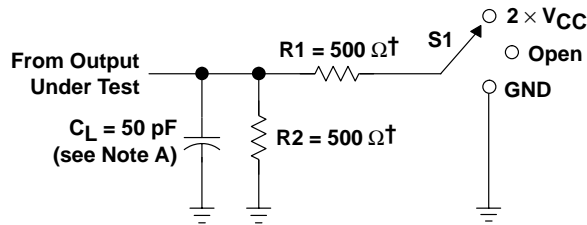
operating characteristics, $V_{CC} = 5\text{ V}$, $T_A = 25^\circ\text{C}$

| PARAMETER | | TYP | UNIT |
|-----------|-------------------------------|-----|------|
| C_{pd} | Power dissipation capacitance | 56 | pF |

CD54AC112, CD74AC112 DUAL J-K NEGATIVE-EDGE-TRIGGERED FLIP-FLOPS WITH CLEAR AND PRESET

SCHS325 – JANUARY 2003

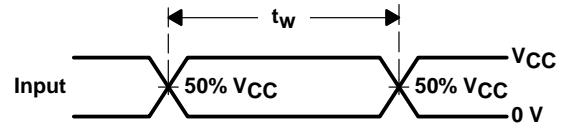
PARAMETER MEASUREMENT INFORMATION



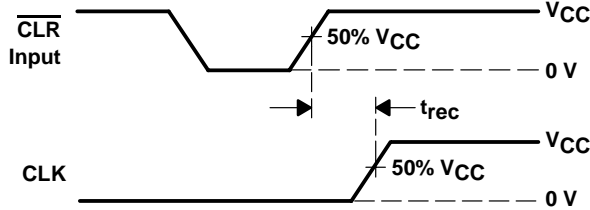
† When $V_{CC} = 1.5\text{ V}$, $R1 = R2 = 1\text{ k}\Omega$

LOAD CIRCUIT

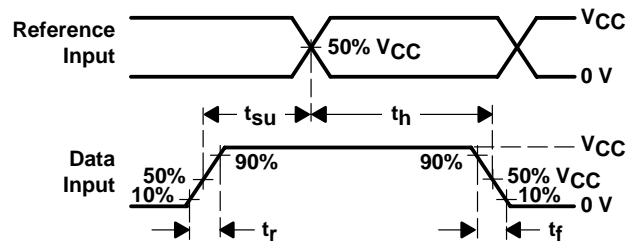
| TEST | S1 |
|-------------------|-------------------|
| t_{PLH}/t_{PHL} | Open |
| t_{PLZ}/t_{PZL} | $2 \times V_{CC}$ |
| t_{PHZ}/t_{PZH} | GND |



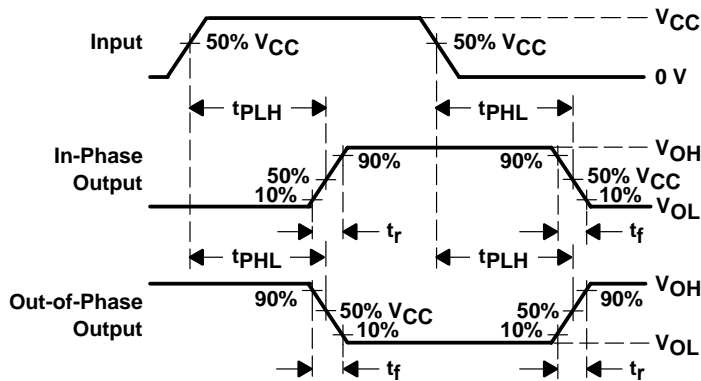
VOLTAGE WAVEFORMS
PULSE DURATION



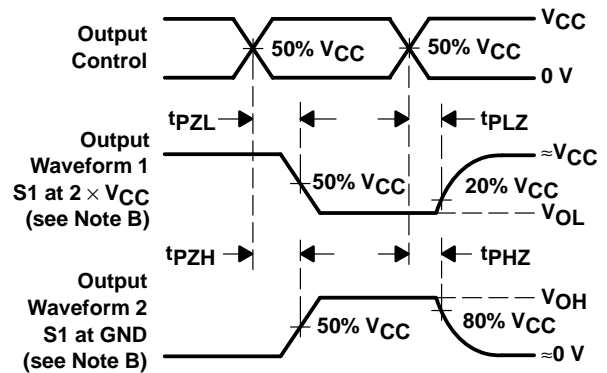
VOLTAGE WAVEFORMS
RECOVERY TIME



VOLTAGE WAVEFORMS
SETUP AND HOLD AND INPUT RISE AND FALL TIMES



VOLTAGE WAVEFORMS
PROPAGATION DELAY AND OUTPUT TRANSITION TIMES



VOLTAGE WAVEFORMS
OUTPUT ENABLE AND DISABLE TIMES

- NOTES:
- C_L includes probe and test-fixture capacitance.
 - Waveform 1 is for an output with internal conditions such that the output is low except when disabled by the output control. Waveform 2 is for an output with internal conditions such that the output is high except when disabled by the output control.
 - All input pulses are supplied by generators having the following characteristics: $PRR \leq 1\text{ MHz}$, $Z_O = 50\ \Omega$, $t_r = 3\text{ ns}$, $t_f = 3\text{ ns}$. Phase relationships between waveforms are arbitrary.
 - For clock inputs, f_{max} is measured with the input duty cycle at 50%.
 - The outputs are measured one at a time with one input transition per measurement.
 - t_{PLH} and t_{PHL} are the same as t_{pd} .
 - t_{PZL} and t_{PZH} are the same as t_{en} .
 - t_{PLZ} and t_{PHZ} are the same as t_{dis} .
 - All parameters and waveforms are not applicable to all devices.

Figure 1. Load Circuit and Voltage Waveforms

PACKAGING INFORMATION

| Orderable Device | Status ⁽¹⁾ | Package Type | Package Drawing | Pins | Package Qty | Eco Plan ⁽²⁾ | Lead/Ball Finish | MSL Peak Temp ⁽³⁾ |
|------------------|-----------------------|--------------|-----------------|------|-------------|-------------------------|------------------|------------------------------|
| CD54AC112F3A | ACTIVE | CDIP | J | 16 | 1 | TBD | A42 | N / A for Pkg Type |
| CD74AC112E | ACTIVE | PDIP | N | 16 | 25 | Pb-Free (RoHS) | CU NIPDAU | N / A for Pkg Type |
| CD74AC112EE4 | ACTIVE | PDIP | N | 16 | 25 | Pb-Free (RoHS) | CU NIPDAU | N / A for Pkg Type |
| CD74AC112M | ACTIVE | SOIC | D | 16 | 40 | Green (RoHS & no Sb/Br) | CU NIPDAU | Level-1-260C-UNLIM |
| CD74AC112M96 | ACTIVE | SOIC | D | 16 | 2500 | Green (RoHS & no Sb/Br) | CU NIPDAU | Level-1-260C-UNLIM |
| CD74AC112M96E4 | ACTIVE | SOIC | D | 16 | 2500 | Green (RoHS & no Sb/Br) | CU NIPDAU | Level-1-260C-UNLIM |
| CD74AC112M96G4 | ACTIVE | SOIC | D | 16 | 2500 | Green (RoHS & no Sb/Br) | CU NIPDAU | Level-1-260C-UNLIM |
| CD74AC112ME4 | ACTIVE | SOIC | D | 16 | 40 | Green (RoHS & no Sb/Br) | CU NIPDAU | Level-1-260C-UNLIM |
| CD74AC112MG4 | ACTIVE | SOIC | D | 16 | 40 | Green (RoHS & no Sb/Br) | CU NIPDAU | Level-1-260C-UNLIM |

⁽¹⁾ The marketing status values are defined as follows:

ACTIVE: Product device recommended for new designs.

LIFEBUY: TI has announced that the device will be discontinued, and a lifetime-buy period is in effect.

NRND: Not recommended for new designs. Device is in production to support existing customers, but TI does not recommend using this part in a new design.

PREVIEW: Device has been announced but is not in production. Samples may or may not be available.

OBSELETE: TI has discontinued the production of the device.

⁽²⁾ Eco Plan - The planned eco-friendly classification: Pb-Free (RoHS), Pb-Free (RoHS Exempt), or Green (RoHS & no Sb/Br) - please check <http://www.ti.com/productcontent> for the latest availability information and additional product content details.

TBD: The Pb-Free/Green conversion plan has not been defined.

Pb-Free (RoHS): TI's terms "Lead-Free" or "Pb-Free" mean semiconductor products that are compatible with the current RoHS requirements for all 6 substances, including the requirement that lead not exceed 0.1% by weight in homogeneous materials. Where designed to be soldered at high temperatures, TI Pb-Free products are suitable for use in specified lead-free processes.

Pb-Free (RoHS Exempt): This component has a RoHS exemption for either 1) lead-based flip-chip solder bumps used between the die and package, or 2) lead-based die adhesive used between the die and leadframe. The component is otherwise considered Pb-Free (RoHS compatible) as defined above.

Green (RoHS & no Sb/Br): TI defines "Green" to mean Pb-Free (RoHS compatible), and free of Bromine (Br) and Antimony (Sb) based flame retardants (Br or Sb do not exceed 0.1% by weight in homogeneous material)

⁽³⁾ MSL, Peak Temp. -- The Moisture Sensitivity Level rating according to the JEDEC industry standard classifications, and peak solder temperature.

Important Information and Disclaimer:The information provided on this page represents TI's knowledge and belief as of the date that it is provided. TI bases its knowledge and belief on information provided by third parties, and makes no representation or warranty as to the accuracy of such information. Efforts are underway to better integrate information from third parties. TI has taken and continues to take reasonable steps to provide representative and accurate information but may not have conducted destructive testing or chemical analysis on incoming materials and chemicals. TI and TI suppliers consider certain information to be proprietary, and thus CAS numbers and other limited information may not be available for release.

In no event shall TI's liability arising out of such information exceed the total purchase price of the TI part(s) at issue in this document sold by TI to Customer on an annual basis.

TAPE AND REEL INFORMATION



QUADRANT ASSIGNMENTS FOR PIN 1 ORIENTATION IN TAPE



*All dimensions are nominal

| Device | Package Type | Package Drawing | Pins | SPQ | Reel Diameter (mm) | Reel Width W1 (mm) | A0 (mm) | B0 (mm) | K0 (mm) | P1 (mm) | W (mm) | Pin1 Quadrant |
|--------------|--------------|-----------------|------|------|--------------------|--------------------|---------|---------|---------|---------|--------|---------------|
| CD74AC112M96 | SOIC | D | 16 | 2500 | 330.0 | 16.4 | 6.5 | 10.3 | 2.1 | 8.0 | 16.0 | Q1 |

TAPE AND REEL BOX DIMENSIONS



*All dimensions are nominal

| Device | Package Type | Package Drawing | Pins | SPQ | Length (mm) | Width (mm) | Height (mm) |
|--------------|--------------|-----------------|------|------|-------------|------------|-------------|
| CD74AC112M96 | SOIC | D | 16 | 2500 | 333.2 | 345.9 | 28.6 |

J (R-GDIP-T**)

14 LEADS SHOWN

CERAMIC DUAL IN-LINE PACKAGE



| DIM \ PINS ** | 14 | 16 | 18 | 20 |
|---------------|------------------------|------------------------|------------------------|------------------------|
| A | 0.300 (7,62) BSC | 0.300 (7,62) BSC | 0.300 (7,62) BSC | 0.300 (7,62) BSC |
| B MAX | 0.785 (19,94) | .840 (21,34) | 0.960 (24,38) | 1.060 (26,92) |
| B MIN | — | — | — | — |
| C MAX | 0.300 (7,62) | 0.300 (7,62) | 0.310 (7,87) | 0.300 (7,62) |
| C MIN | 0.245 (6,22) | 0.245 (6,22) | 0.220 (5,59) | 0.245 (6,22) |



4040083/F 03/03

- NOTES:
- All linear dimensions are in inches (millimeters).
 - This drawing is subject to change without notice.
 - This package is hermetically sealed with a ceramic lid using glass frit.
 - Index point is provided on cap for terminal identification only on press ceramic glass frit seal only.
 - Falls within MIL STD 1835 GDIP1-T14, GDIP1-T16, GDIP1-T18 and GDIP1-T20.

N (R-PDIP-T**)

PLASTIC DUAL-IN-LINE PACKAGE

16 PINS SHOWN



- NOTES:
- A. All linear dimensions are in inches (millimeters).
 - B. This drawing is subject to change without notice.
 - Falls within JEDEC MS-001, except 18 and 20 pin minimum body length (Dim A).
 - The 20 pin end lead shoulder width is a vendor option, either half or full width.

D (R-PDSO-G16)

PLASTIC SMALL OUTLINE



4040047-6/M 06/11

- NOTES:
- A. All linear dimensions are in inches (millimeters).
 - B. This drawing is subject to change without notice.
 -  C. Body length does not include mold flash, protrusions, or gate burrs. Mold flash, protrusions, or gate burrs shall not exceed 0.006 (0,15) each side.
 -  D. Body width does not include interlead flash. Interlead flash shall not exceed 0.017 (0,43) each side.
 - E. Reference JEDEC MS-012 variation AC.

D (R-PDSO-G16)

PLASTIC SMALL OUTLINE



- NOTES:
- All linear dimensions are in millimeters.
 - This drawing is subject to change without notice.
 - Publication IPC-7351 is recommended for alternate designs.
 - Laser cutting apertures with trapezoidal walls and also rounding corners will offer better paste release. Customers should contact their board assembly site for stencil design recommendations. Refer to IPC-7525 for other stencil recommendations.
 - Customers should contact their board fabrication site for solder mask tolerances between and around signal pads.

IMPORTANT NOTICE

Texas Instruments Incorporated and its subsidiaries (TI) reserve the right to make corrections, enhancements, improvements and other changes to its semiconductor products and services per JESD46C and to discontinue any product or service per JESD48B. Buyers should obtain the latest relevant information before placing orders and should verify that such information is current and complete. All semiconductor products (also referred to herein as "components") are sold subject to TI's terms and conditions of sale supplied at the time of order acknowledgment.

TI warrants performance of its components to the specifications applicable at the time of sale, in accordance with the warranty in TI's terms and conditions of sale of semiconductor products. Testing and other quality control techniques are used to the extent TI deems necessary to support this warranty. Except where mandated by applicable law, testing of all parameters of each component is not necessarily performed.

TI assumes no liability for applications assistance or the design of Buyers' products. Buyers are responsible for their products and applications using TI components. To minimize the risks associated with Buyers' products and applications, Buyers should provide adequate design and operating safeguards.

TI does not warrant or represent that any license, either express or implied, is granted under any patent right, copyright, mask work right, or other intellectual property right relating to any combination, machine, or process in which TI components or services are used. Information published by TI regarding third-party products or services does not constitute a license to use such products or services or a warranty or endorsement thereof. Use of such information may require a license from a third party under the patents or other intellectual property of the third party, or a license from TI under the patents or other intellectual property of TI.

Reproduction of significant portions of TI information in TI data books or data sheets is permissible only if reproduction is without alteration and is accompanied by all associated warranties, conditions, limitations, and notices. TI is not responsible or liable for such altered documentation. Information of third parties may be subject to additional restrictions.

Resale of TI components or services with statements different from or beyond the parameters stated by TI for that component or service voids all express and any implied warranties for the associated TI component or service and is an unfair and deceptive business practice. TI is not responsible or liable for any such statements.

Buyer acknowledges and agrees that it is solely responsible for compliance with all legal, regulatory and safety-related requirements concerning its products, and any use of TI components in its applications, notwithstanding any applications-related information or support that may be provided by TI. Buyer represents and agrees that it has all the necessary expertise to create and implement safeguards which anticipate dangerous consequences of failures, monitor failures and their consequences, lessen the likelihood of failures that might cause harm and take appropriate remedial actions. Buyer will fully indemnify TI and its representatives against any damages arising out of the use of any TI components in safety-critical applications.

In some cases, TI components may be promoted specifically to facilitate safety-related applications. With such components, TI's goal is to help enable customers to design and create their own end-product solutions that meet applicable functional safety standards and requirements. Nonetheless, such components are subject to these terms.

No TI components are authorized for use in FDA Class III (or similar life-critical medical equipment) unless authorized officers of the parties have executed a special agreement specifically governing such use.

Only those TI components which TI has specifically designated as military grade or "enhanced plastic" are designed and intended for use in military/aerospace applications or environments. Buyer acknowledges and agrees that any military or aerospace use of TI components which have **not** been so designated is solely at the Buyer's risk, and that Buyer is solely responsible for compliance with all legal and regulatory requirements in connection with such use.

TI has specifically designated certain components which meet ISO/TS16949 requirements, mainly for automotive use. Components which have not been so designated are neither designed nor intended for automotive use; and TI will not be responsible for any failure of such components to meet such requirements.

Products

| | |
|------------------------|--------------------------------------------------------------------------------------|
| Audio | www.ti.com/audio |
| Amplifiers | amplifier.ti.com |
| Data Converters | dataconverter.ti.com |
| DLP® Products | www.dlp.com |
| DSP | dsp.ti.com |
| Clocks and Timers | www.ti.com/clocks |
| Interface | interface.ti.com |
| Logic | logic.ti.com |
| Power Mgmt | power.ti.com |
| Microcontrollers | microcontroller.ti.com |
| RFID | www.ti-rfid.com |
| OMAP Mobile Processors | www.ti.com/omap |
| Wireless Connectivity | www.ti.com/wirelessconnectivity |

Applications

| | |
|-------------------------------|------------------------------------------------------------------------------------------|
| Automotive and Transportation | www.ti.com/automotive |
| Communications and Telecom | www.ti.com/communications |
| Computers and Peripherals | www.ti.com/computers |
| Consumer Electronics | www.ti.com/consumer-apps |
| Energy and Lighting | www.ti.com/energy |
| Industrial | www.ti.com/industrial |
| Medical | www.ti.com/medical |
| Security | www.ti.com/security |
| Space, Avionics and Defense | www.ti.com/space-avionics-defense |
| Video and Imaging | www.ti.com/video |

TI E2E Community e2e.ti.com