

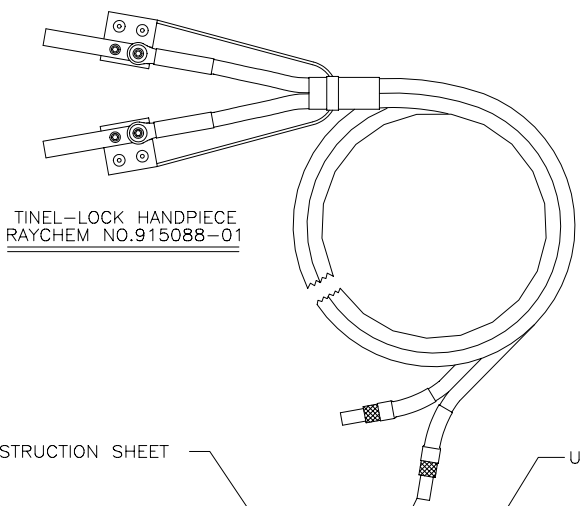
4

3

2

1

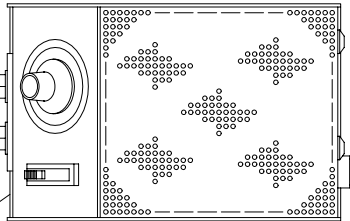
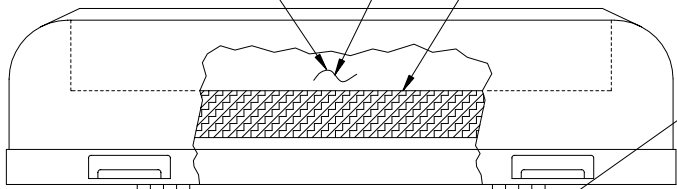
REVISIONS			
LTR	DESCRIPTION	DATE	APPROVED
NC	RELEASED TO MFG. PER ECN NO. T-16631	8/22/91	GMR
A	REVISED FOOTSWITCH CALLOUT PER DCR NO. T966028	10/9/96	GMR



TINEL-LOCK HANDPIECE
RAYCHEM NO.915088-01

INSTRUCTION SHEET

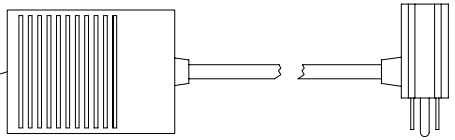
UPPER FOAM INSERT



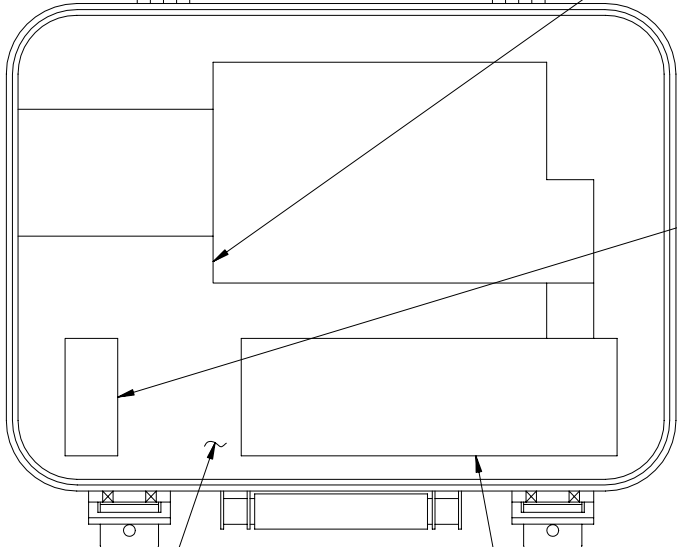
TRANSFORMER, AMERICAN
BEAUTY NO.105-A12-220V

NOTES:

1. CASE DIMENSIONS:
14.00 LONG X 10.00 WIDE X 7.00 DEEP
(TOP HALF IS 3.00 DEEP, BOTTOM HALF IS 4.00 DEEP)
2. ALL DIMENSIONS INDICATED AND NOMENCLATURE SHOWN ON THIS DRAWING ARE FOR REFERENCE PURPOSES ONLY.
3. THIS KIT CAN BE ORDERED FROM RAYCHEM CORPORATION UNDER PART NO.859855 FOR THE 220V UNIT (DWG NO. RH-3965-1).



FOOTSWITCH, AMERICAN
BEAUTY NO. 10519 OR EQUIVALENT



LOWER FOAM INSERT

STORAGE SPACE FOR POWER CORDS

SPECIFICATION CONTROL DRAWING © Raychem Corporation 1991

DRAWN	G.ROSITANO	91JUL31	 RAYCHEM CORPORATION 300 CONSTITUTION DRIVE MENLO PARK, CALIFORNIA 94025			
CHECKED	A.L.HADLEY	91AUG14				
APPROVED	A.L.HADLEY	91AUG14	TITLE TINEL-LOCK RING TERMINATION KIT 220 VAC			
APPROVED						
CAD NAME	3965-1S		SIZE	CODE IDENT. NO.	DWG. NO.	REV
THIRD ANGLE PROJECTION			C	06090	RH-3965-1	A
			DO NOT SCALE THIS DRAWING SCALE: HALF SHEET 1 OF 1			

If this document is printed it becomes uncontrolled.
Check with the web for latest revision.

4

3

2

1

SHEET
RH-3965-1
DWG. NO.