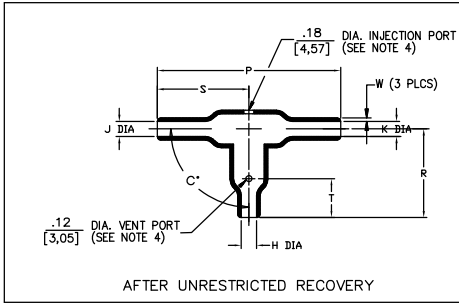
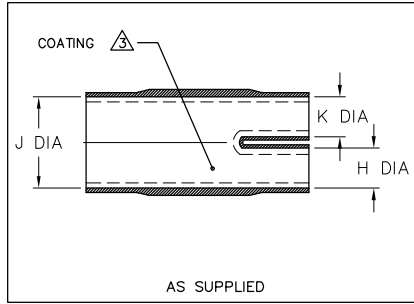


NOTES

- All dimensions are in $\frac{\text{inches}}{\text{[millimeters]}}$; $\frac{\text{lbs}}{\text{[gms]}}$
- Dimensions appearing in table are as follows:
 - As Supplied
 - After Unrestricted Recovery
- Coating is optional. As supplied dimensions appearing in table are for uncoated parts. When coating is added, entry diameters will be reduced by .06 max.
- Molding ports are optional. When -00 modification number is specified molding ports will be located as shown. On size 301A011 the .12 diameter vent port will be eliminated, and the .18 diameter injection port will be decreased to .22 [2.29]
- Weight appearing in table of dimensions is based on polyolefin part.



REVISIONS		
LTR	DESCRIPTION	DATE
U	REVISED PER ECO-14-006329	4/11/2014

ORDERING INFORMATION

Base part number 301A0XX -XX -XX /XX -0

Material dash number (See Compatibility Chart)

Modification number (If necessary, see front of scd binder for a complete list)

Adhesive slash number (If necessary, see Compatibility Chart)

Color designator

COMPATIBILITY CHART

MATERIAL DASH NO.	MATERIAL DESCRIPTION	RT SPEC	COATING SLASH NO.	COATING S. NO.	COATING DESCRIPTION
-3	Polyolefin, Semi-rigid	RT-301	/42;/86;/180	S-1017;S-1048;S-1030	Adhesive
-4	Polyolefin, Flexible	RT-1304	/42;/86;/180	S-1017;S-1048;S-1030	Adhesive
-5	Elastomer, Flexible	RT-501	N/A		
-6	Silicone	RT-602	N/A		
-12	*VITON, Flexible	RT-1312	N/A		
-25	Elastomer, Fluid Resistant	RW-2070	/86;/225	S-1048;S-1206	Adhesive
-52	Polyolefin, Nuclear Molding Compound	RT-1508	N/A		
-100	Polyolefin, Semi-Flexible ZEROHAL	RT-1323	/86;/180	S-1048;S-1030	Adhesive

*VITON is a Registered Trademark of Dupont

TABLE OF DIMENSIONS

PART NUMBER	H, J & K		P	R	S	T	W	Weight
	Min	Max	±10%	±10%	±10%	±10%	±30%	Nom
301A011	.26 [6,6]	.14 [3,6]	1.17 [29,7]	.58 [14,7]	.59 [15,1]	N/A	.04 [1,0]	.002 [0,9]
301A022	.52 [13,2]	.27 [6,9]	2.31 [58,7]	1.16 [29,5]	1.16 [29,5]	.69 [17,5]	.06 [1,5]	.009 [4,1]
301A034	1.06 [26,9]	.53 [13,5]	4.73 [120,1]	2.36 [60,0]	2.37 [60,2]	1.40 [35,6]	.09 [2,3]	.069 [31,3]
301A048	2.19 [55,8]	1.19 [30,2]	9.70 [246,4]	4.85 [123,2]	4.85 [123,2]	2.79 [70,9]	.12 [3,0]	.558 [253,1]

Roychem Molded parts
CUSTOMER DRAWING



UNLESS OTHERWISE SPECIFIED, DIMENSIONS ARE IN INCHES. METRIC DIMENSIONS ARE IN BRACKETS.	DRAWN M.MAZARIEGOS	TITLE TRANSITION, T
DECIMAL TOLERANCES XXX ± 0.005 (0.13 mm) XX ± 0.01 (0.25 mm) X ± 0.1 (2.54 mm)	APPROVED S.GRAVANO	SIZE B
ANGLE TOLERANCE ± 1 DEG	THIRD ANGLE PROJECTION	CODE IDENT. NO. 06090 DWG. NO. 301A011THRU048
© 2014 Tyco Electronics Corporation. All rights reserved.		