

THIS DRAWING IS UNPUBLISHED.

RELEASED FOR PUBLICATION

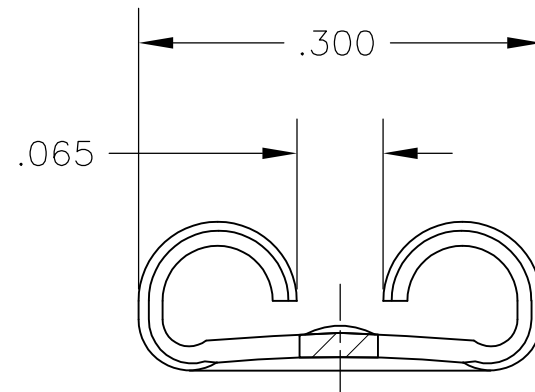
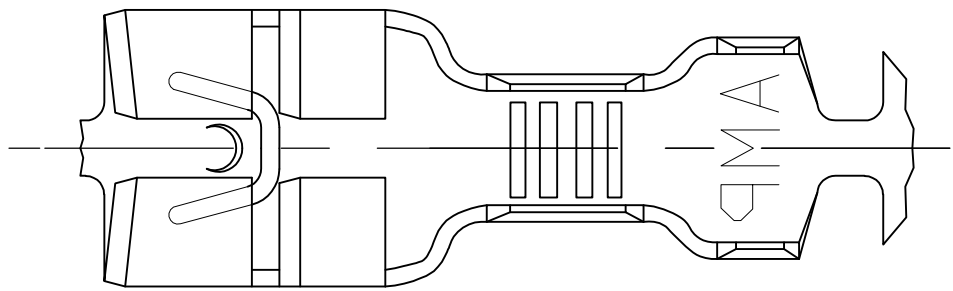
ALL RIGHTS RESERVED.

© COPYRIGHT - By -

LOC AF DIST 50

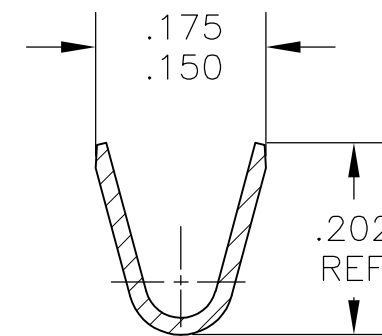
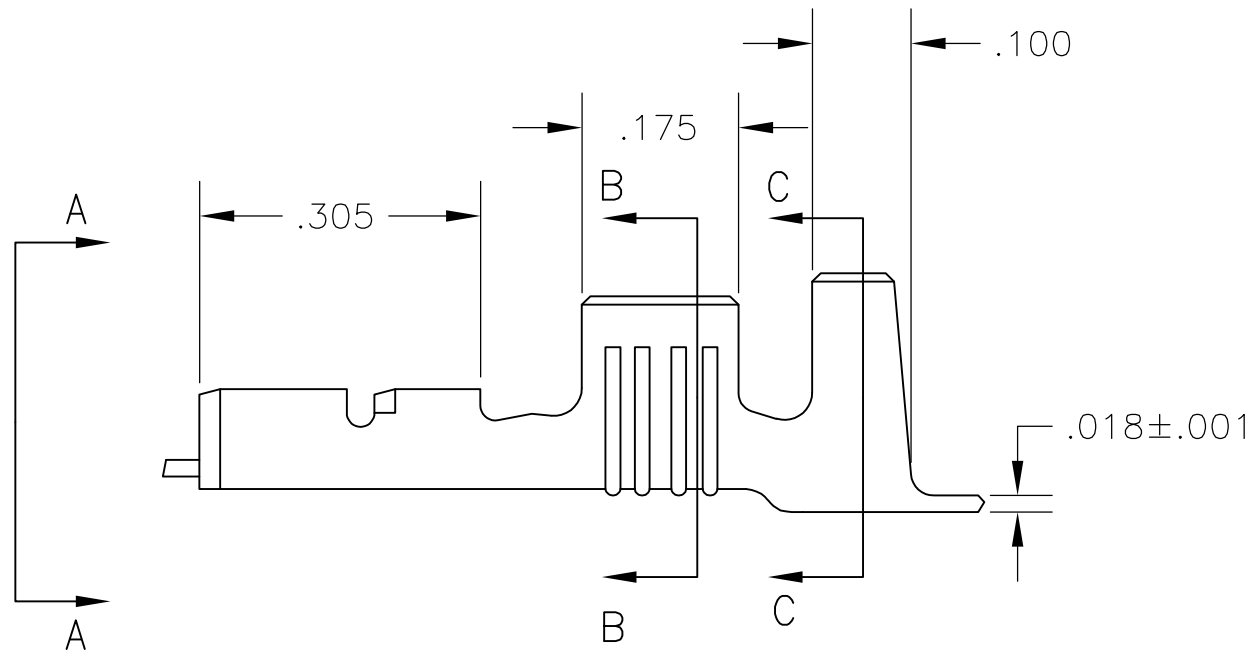
REVISIONS

P	LTR	DESCRIPTION	DATE	DWN	APVD
E1		REVISED PER ECO-13-012211	30JUL13	JR	PD

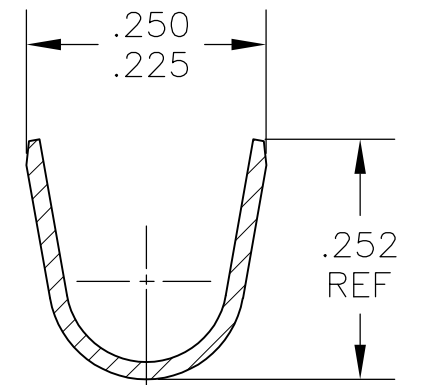


VIEW A-A

- 1 CONTINUOUS STRIP ON REELS.
- 2 MATING TAB THK IS  $.032 \pm .001$
- 3 WIRE SIZE IS #14-#10 AWG
- 4 INSULATION RANGE IS .150-.200 DIA
- 5 REELED WITH INTERLEAVING PAPER
- 6 PRELIMINARY - NOT FOR PRODUCTION



SECTION B-B



SECTION C-C

5	63435-3
6	63435-1
PART NO.	

THIS DRAWING IS A CONTROLLED DOCUMENT.		DWN JR RUTH 10/10/86	<b>TE Connectivity</b>														
DIMENSIONS: INCHES		CHK G YETTER 10/12/86															
TOLERANCES UNLESS OTHERWISE SPECIFIED:		APVD R KUZO 10/12/86	NAME														
<table border="0"> <tr><td>0 PLC</td><td>± -</td></tr> <tr><td>1 PLC</td><td>± -</td></tr> <tr><td>2 PLC</td><td>± -</td></tr> <tr><td>3 PLC</td><td>± .010</td></tr> <tr><td>4 PLC</td><td>± -</td></tr> <tr><td>ANGLES</td><td>± -</td></tr> </table>		0 PLC	± -	1 PLC	± -	2 PLC	± -	3 PLC	± .010	4 PLC	± -	ANGLES	± -	PRODUCT SPEC	RECEPTACLE, FASTON, LOW-INSERTION, .250 SERIES		
0 PLC	± -																
1 PLC	± -																
2 PLC	± -																
3 PLC	± .010																
4 PLC	± -																
ANGLES	± -																
MATERIAL BRASS		FINISH SILVER	APPLICATION SPEC	SIZE	CAGE CODE	DRAWING NO	RESTRICTED TO										
					A300779	C-63435											
CUSTOMER DRAWING			WEIGHT -	SCALE 5:1	SHEET 1 OF 1	REV E1											