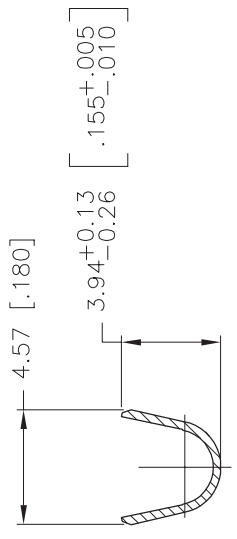
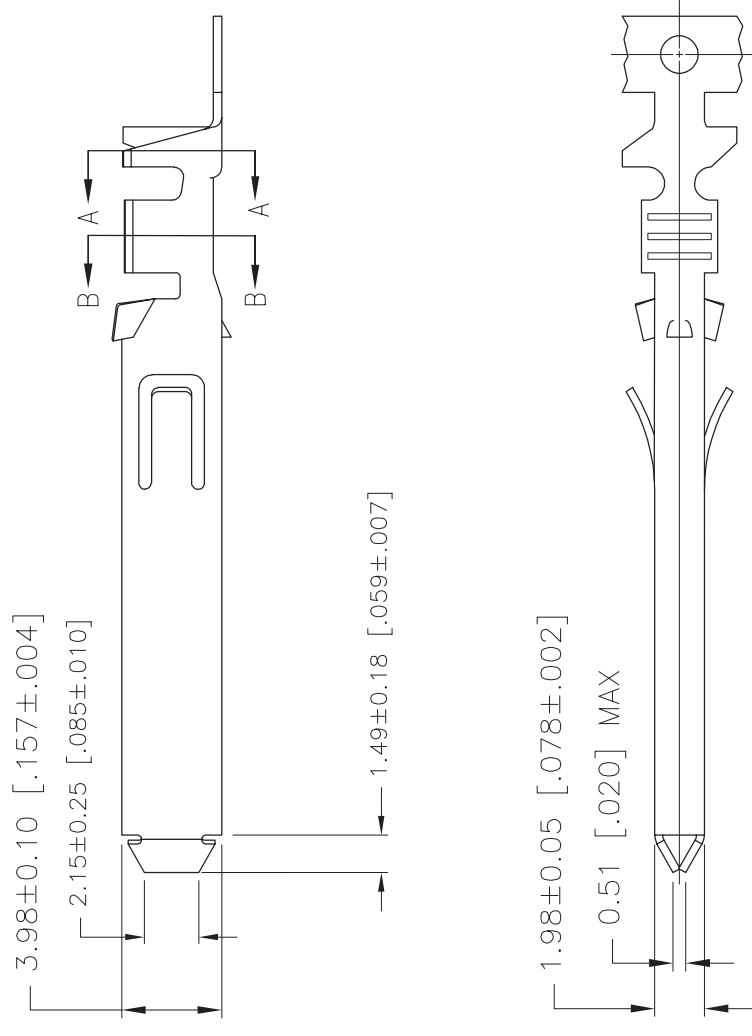
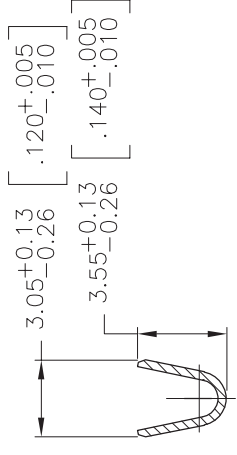


THIS DRAWING IS UNPUBLISHED.  
 BY TYCO ELECTRONICS CORPORATION. ALL RIGHTS RESERVED.

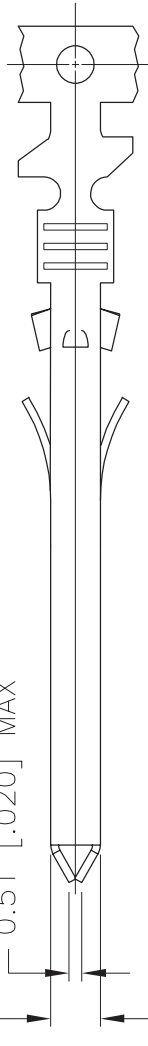
LOC	DIST	REVISIONS	
CM	O	P	LTR
		C1	
		REVISED PER ECO-05-011422	
		DATE	DWN
		21OCT05	KW
			DB



SECTION A-A



SECTION B-B



TIN	208914-4
TIN-LEAD	208914-2
FINISH	PART NUMBER

- ACCOMMODATES 14 THRU 18 AWG WIRE INSULATION. RANGE 2.03 - 3.43 [.080 - .135] DIA.

THIS DRAWING IS A CONTROLLED DOCUMENT.		DWN	26OCT2005	Tyco Electronics Corporation Harrisburg, PA 17105-3608	
DIMENSIONS: mm [INCHES]		CHK	26OCT2005	CONTACT, RECEPTACLE, POWER CORD	
TOLERANCES UNLESS OTHERWISE SPECIFIED:		APVD	26OCT2005	NAME	
0 PLC	±	D. BOSSI		SIZE	CAGE CODE DRAWING NO
1 PLC	±	D. BOSSI		A3	00779 C=208914
2 PLC	±			WEIGHT	
3 PLC	± 0.13 [.005]			RESTRICTED TO	
4 PLC	± ±0.30'			-	
FINISH				-	
MATERIAL		CUSTOMER DRAWING			
		SCALE		5:1	REV 1 of 1

