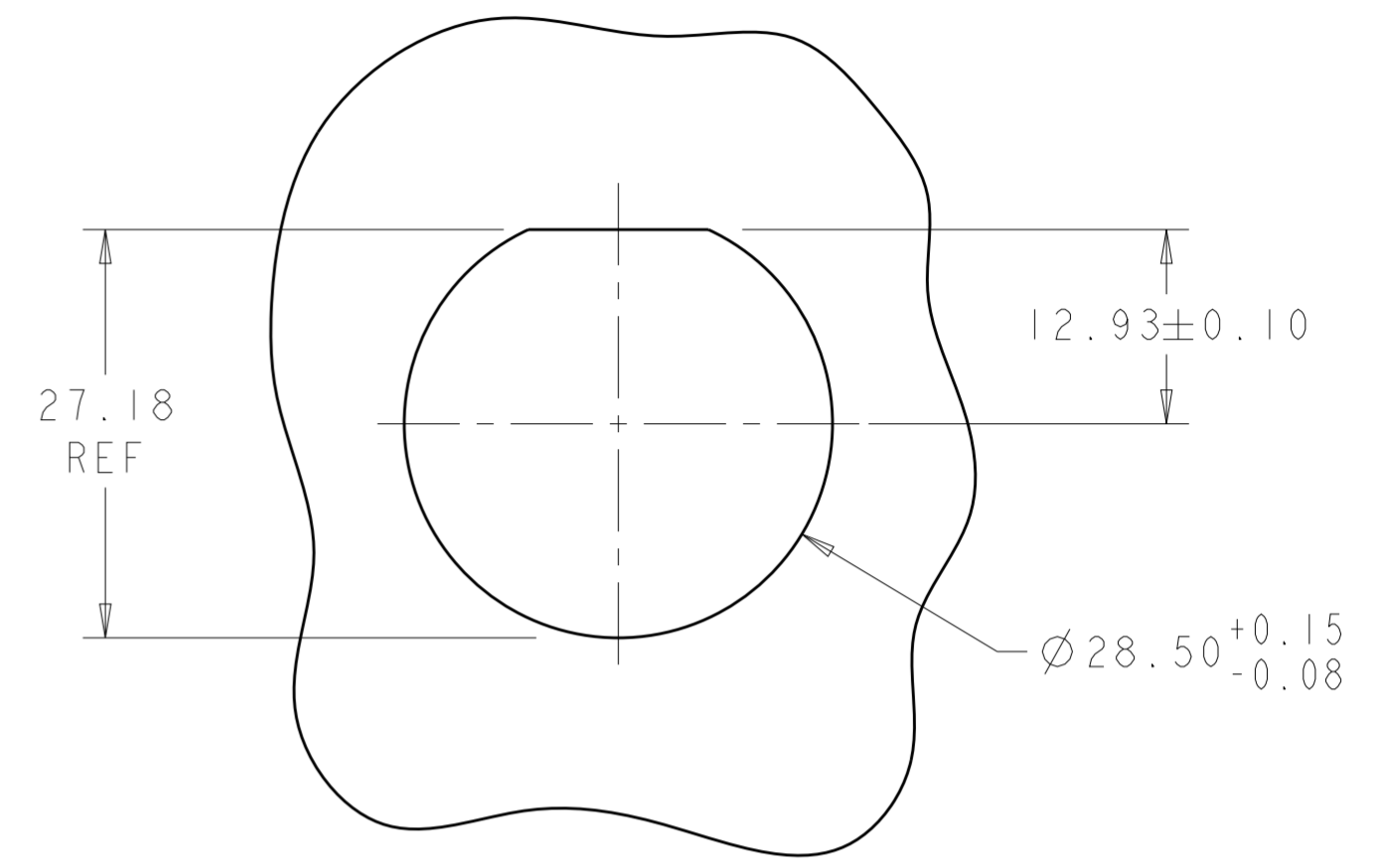
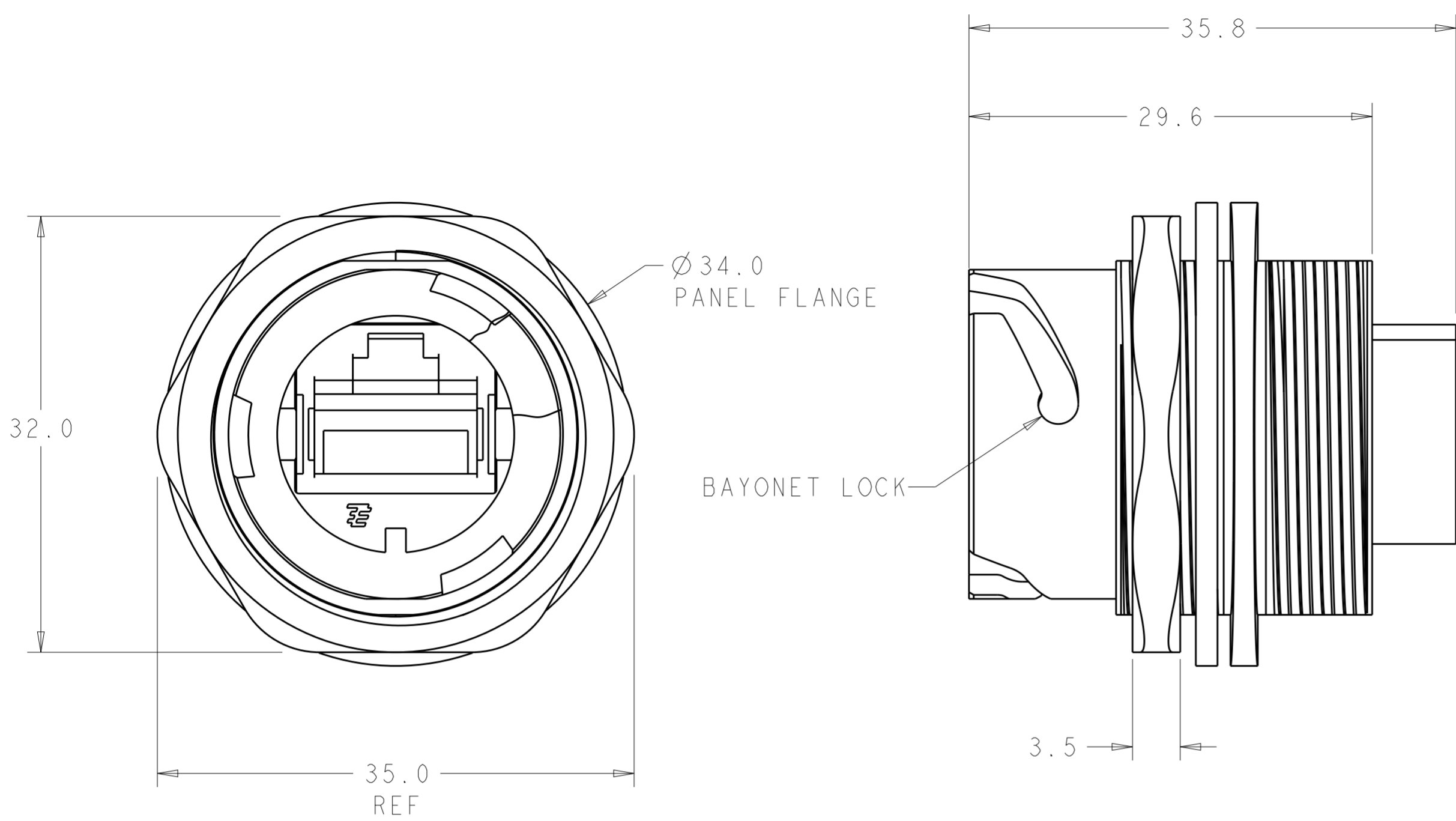
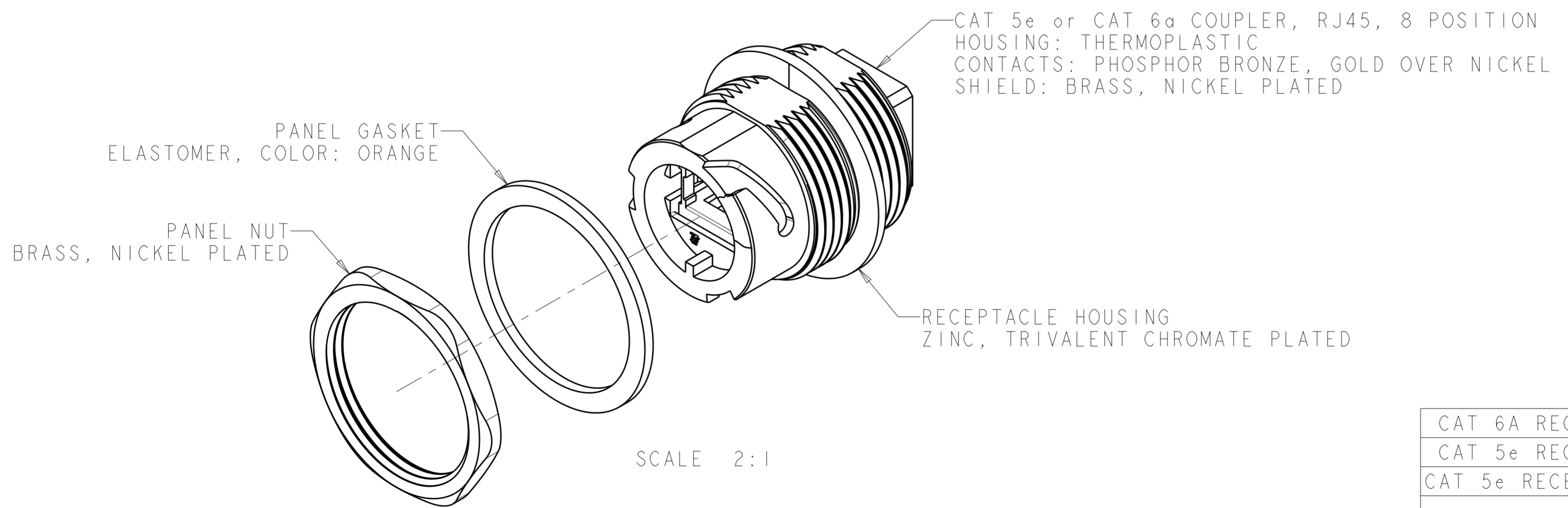


THIS DRAWING IS UNPUBLISHED. RELEASED FOR PUBLICATION 20
 © COPYRIGHT 20 BY - ALL RIGHTS RESERVED.

LOC		DIST		REVISIONS			
P	LTR	DESCRIPTION	DATE	DWN	APVD		
	A4	ECR-15-001104	30JAN2015	TJ	JK		



RECOMMENDED PANEL CUTOUT
 3.2mm MAXIMUM PANEL THICKNESS



SCALE 2:1

CAT 6A RECEPTACLE ASSY, SHIELDED	2008615-3
CAT 5e RECEPTACLE ASSY, SHIELDED	2008615-2
CAT 5e RECEPTACLE ASSY, UNSHIELDED	2008615-1
DESCRIPTION	PART NUMBER

- CONNECTOR MAY BE FRONT OR REAR PANEL MOUNTED. VIEWS SHOW PANEL NUT AND GASKET LOCATION FOR THE REAR PANEL MOUNTED VERSION.
- COUPLER LINES CROSSOVER BETWEEN POSTS.
- PANEL NUT AND PANEL GASKET ARE PACKAGED ASSEMBLED IN POLYBAG.

THIS DRAWING IS A CONTROLLED DOCUMENT.		DWN S. WELDON 01APR2008	STE TE Connectivity	
DIMENSIONS: mm		CHK C. HERTZLER 01APR2008		
TOLERANCES UNLESS OTHERWISE SPECIFIED:		APVD C. HERTZLER 01APR2008	NAME RECEPTACLE KIT, 8 POSITION INDUSTRIAL ETHERNET CONNECTOR	
0 PLC ±1.0		PRODUCT SPEC 108-2198	SIZE CAGE CODE DRAWING NO RESTRICTED TO	
1 PLC ±0.2		APPLICATION SPEC 114-13136	A200779 C-2008615	
2 PLC ±0.10		WEIGHT -	SCALE 3:1 SHEET 1 OF 1 REV A4	
3 PLC ±0.000		MATERIAL -	CUSTOMER DRAWING	
4 PLC ±0.0000		FINISH -		
ANGLES ±				