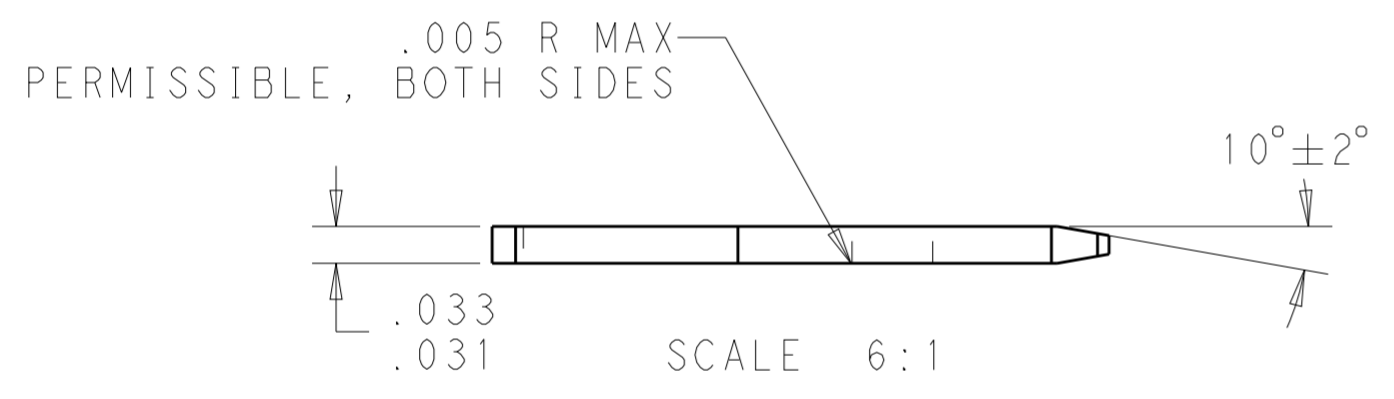
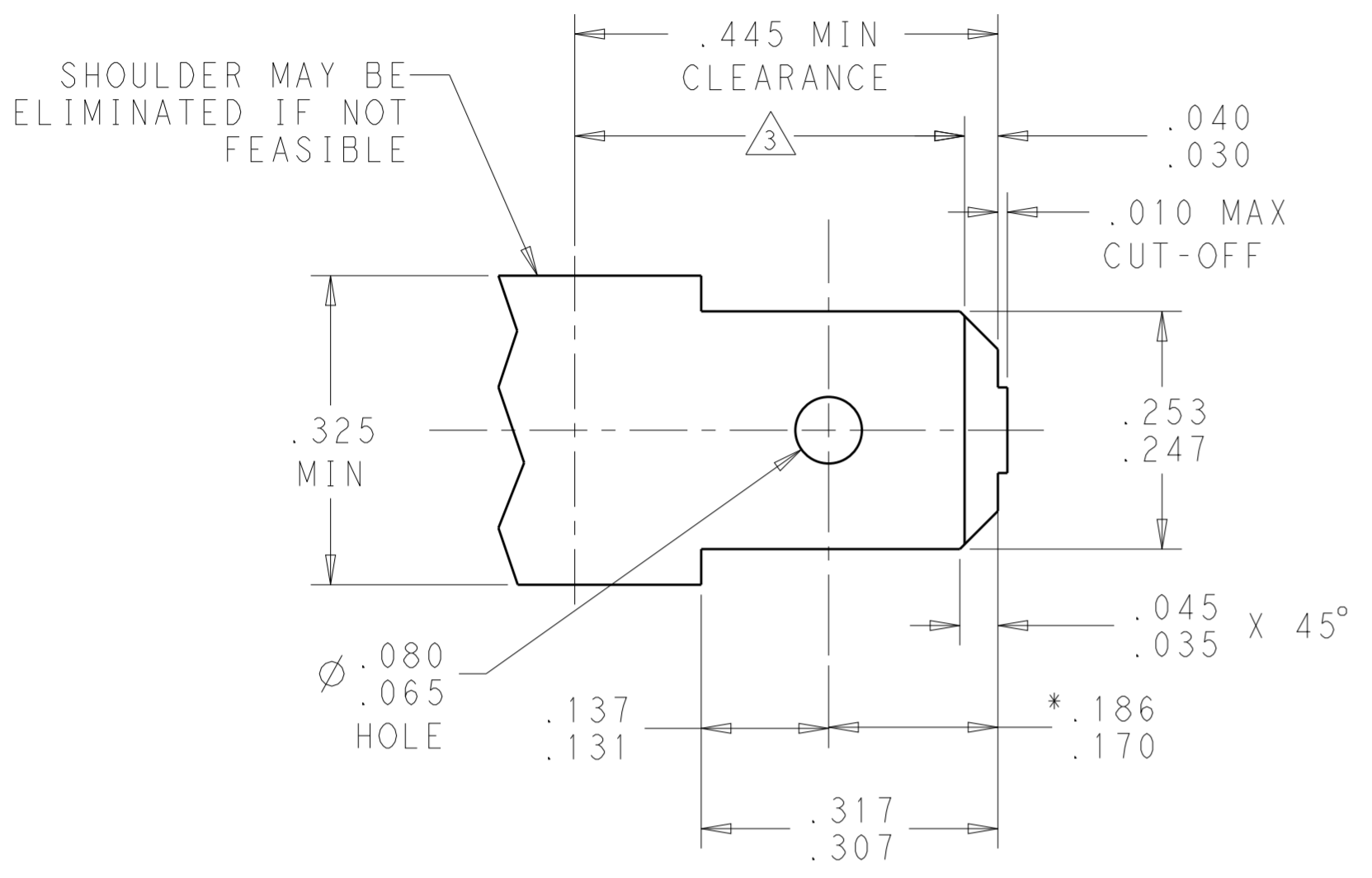
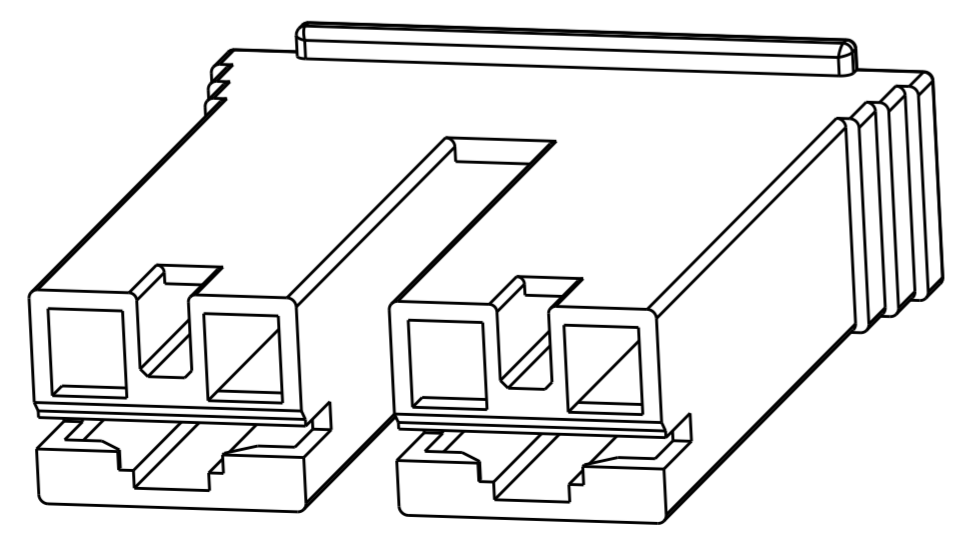


THIS DRAWING IS UNPUBLISHED. RELEASED FOR PUBLICATION 20
 © COPYRIGHT 20 BY - ALL RIGHTS RESERVED.

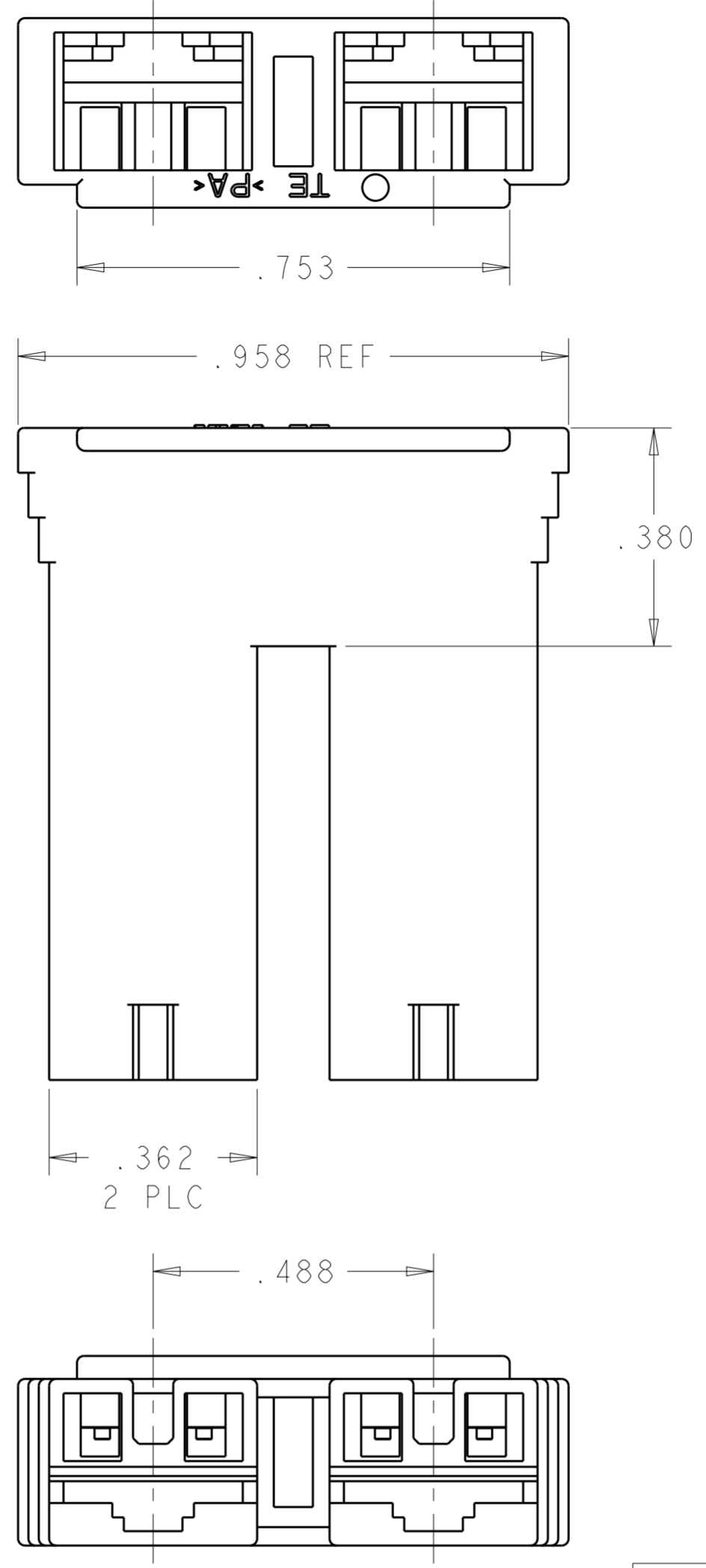
SUGGESTED MATING TAB



- 1 MATL: 1/2H BRASS OR NICKEL PL STEEL
- 2 NO BURRS PERMISSIBLE AT HOLE
- △ MUST BE FLAT WITHIN .003 OVER THIS LENGTH
- 4 TIN PLATING IS REQUIRED ON BRASS WHEN TERMINAL TEMP IS OVER 225° F.
- 5 HOLE MUST BE SYMMETRICAL ABOUT TAB CENTERLINE WITHIN .003
- * TO BE USED ONLY WHEN SHOULDER IS ELIMINATED.



LOC	DIST	REVISIONS			
P	LTR	DESCRIPTION	DATE	DWN	APVD
-	-	A6	REVISED PER ECO-18-011385	23JUL2018	RS DS



- 1 FOR USE WITH MKII POSITIVE LOCK, LOW INSERTION FORCE FASTON RECEPTACLES AND MOST BUDGET FASTON RECEPTACLES.
- △ PRELIMINARY - NOT FOR PRODUCTION

COLOR	MATERIAL	PART NO.
NATURAL	66 Nylon V0 Natural, GWT	1969332-3
NATURAL (WHITE)	66/6 NYLON V0	1969332-2
NATURAL (TRANSLUCENT)	6/6 NYLON V2	△ 1969332-1

THIS DRAWING IS A CONTROLLED DOCUMENT.

DIMENSIONS: INCHES	TOLERANCES UNLESS OTHERWISE SPECIFIED:	DWN: JR RUTH 21OCT2009	 TE Connectivity			
	0 PLC ±-	CHK: GARY PORTA 21OCT2009				
	1 PLC ±.1	APVD: GARY PORTA 21OCT2009				
	2 PLC ±.02	NAME: HOUSING, RECPT, POSITIVE-LOCK AND STANDARD FASTON, .250 SERIES MKII				
	3 PLC ±.010	PRODUCT SPEC: 108-5127				
4 PLC ±.0005	APPLICATION SPEC: 114-2074	SIZE: A2	CAGE CODE: 00779	DRAWING NO: C-1969332	RESTRICTED TO: -	
MATERIAL: SEE TABLE	FINISH: SEE TABLE	WEIGHT: -	Customer Drawing	SCALE: 8:1	SHEET: 1 OF 1	REV: A6