

4

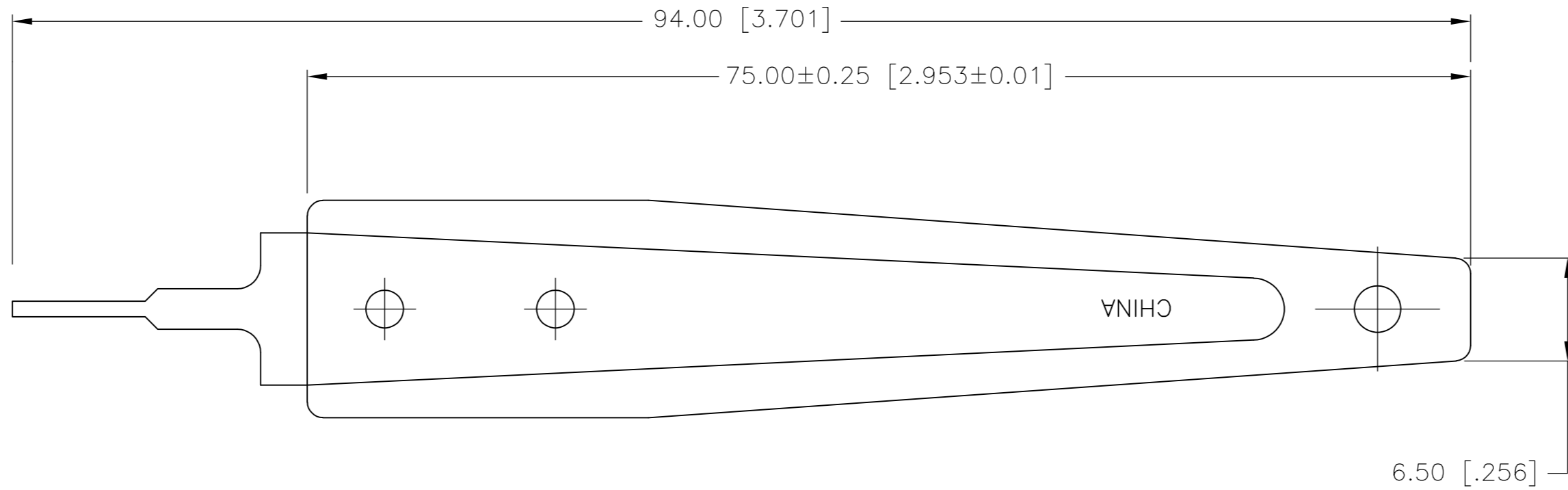
3

2

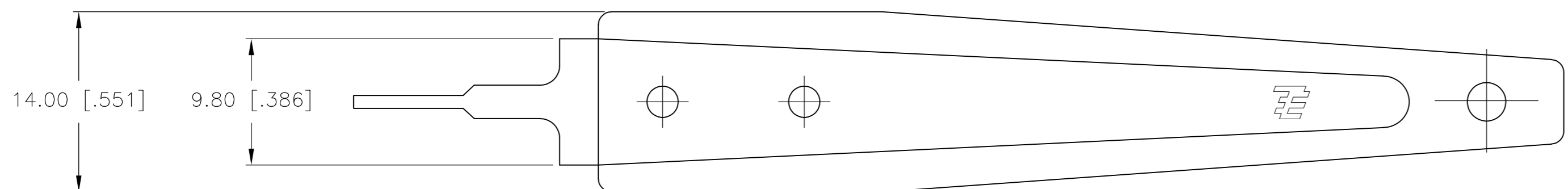
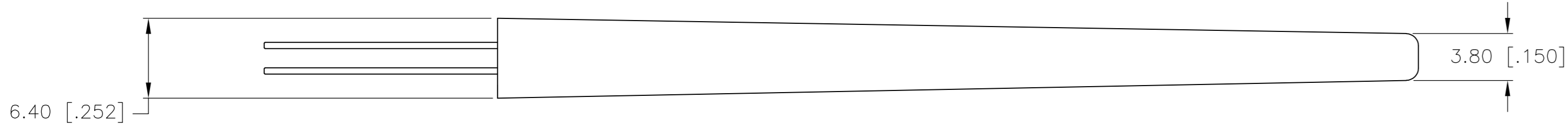
1

THIS DRAWING IS UNPUBLISHED. RELEASED FOR PUBLICATION
 © COPYRIGHT BY TYCO ELECTRONICS CORPORATION. ALL RIGHTS RESERVED.

LOC		DIST		REVISIONS			
P	LTR	DESCRIPTION		DATE	DWN	APVD	
	A	REVISED PER ECO-08-006888		24MAR08	HMR	CC	
	B	REVISED PER ECO-13-011231		10JULY13	AZ	FM	



1 MATERIAL:
 HANDLE: NYLON, UL94V-0, BLACK.
 TINES: STAINLESS STEEL.



1586343-1
 PART NUMBER

METRIC

THIS DRAWING IS A CONTROLLED DOCUMENT.		DWN	S. HOOVER	20-APR-2004	Tyco Electronics Corporation Harrisburg, PA 17105-3608		
DIMENSIONS: mm [INCHES]		CHK	D. COLEY	20-APR-2004	NAME EXTRACTION TOOL VAL-U-LOK(TM)		
TOLERANCES UNLESS OTHERWISE SPECIFIED:		APVD	D. COLEY	20-APR-2004	SIZE	CAGE CODE	DRAWING NO
0 PLC ±		PRODUCT SPEC			A2	00779	C=1586343
1 PLC ±		APPLICATION SPEC			SCALE	SHEET	REV
2 PLC ± 0.13 [.005]		WEIGHT			4:1	1 of 1	B
3 PLC ±		CUSTOMER DRAWING					
4 PLC ±							
ANGLES ±							
FINISH							

1586343