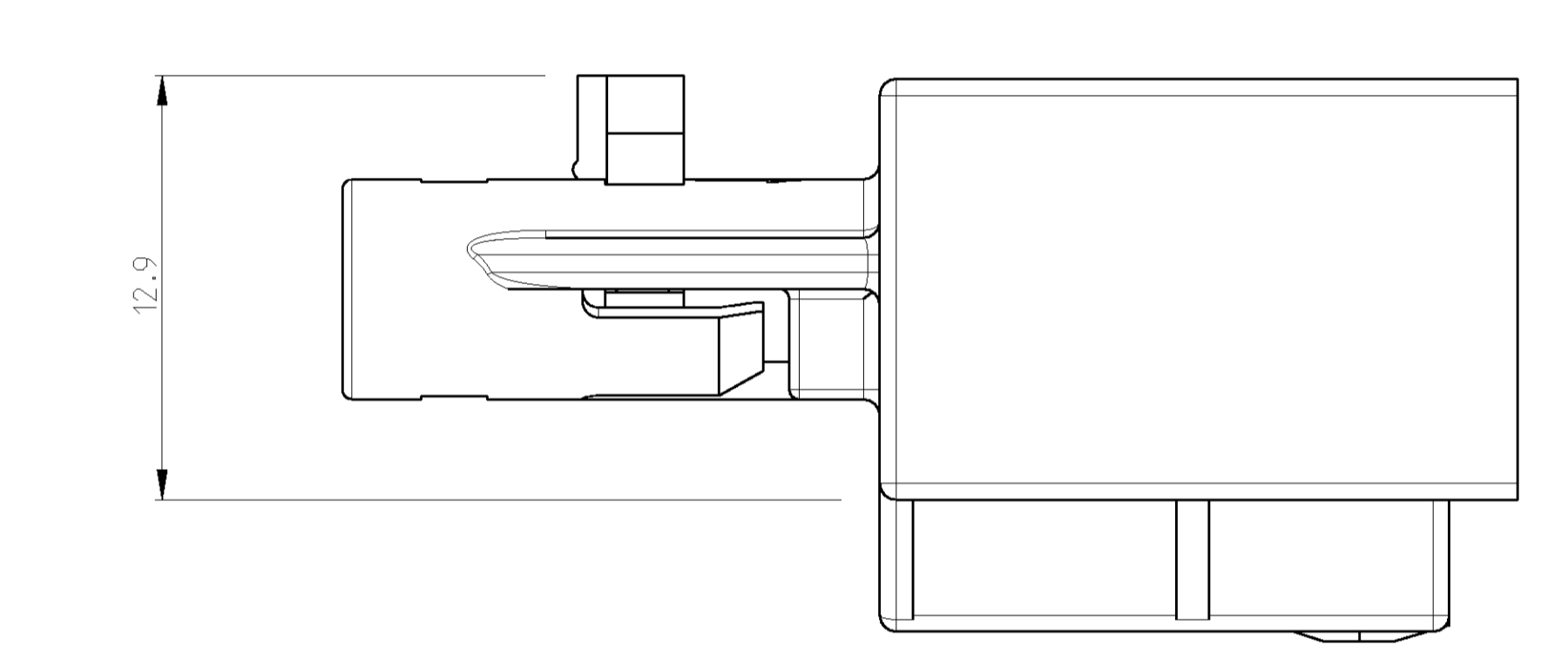
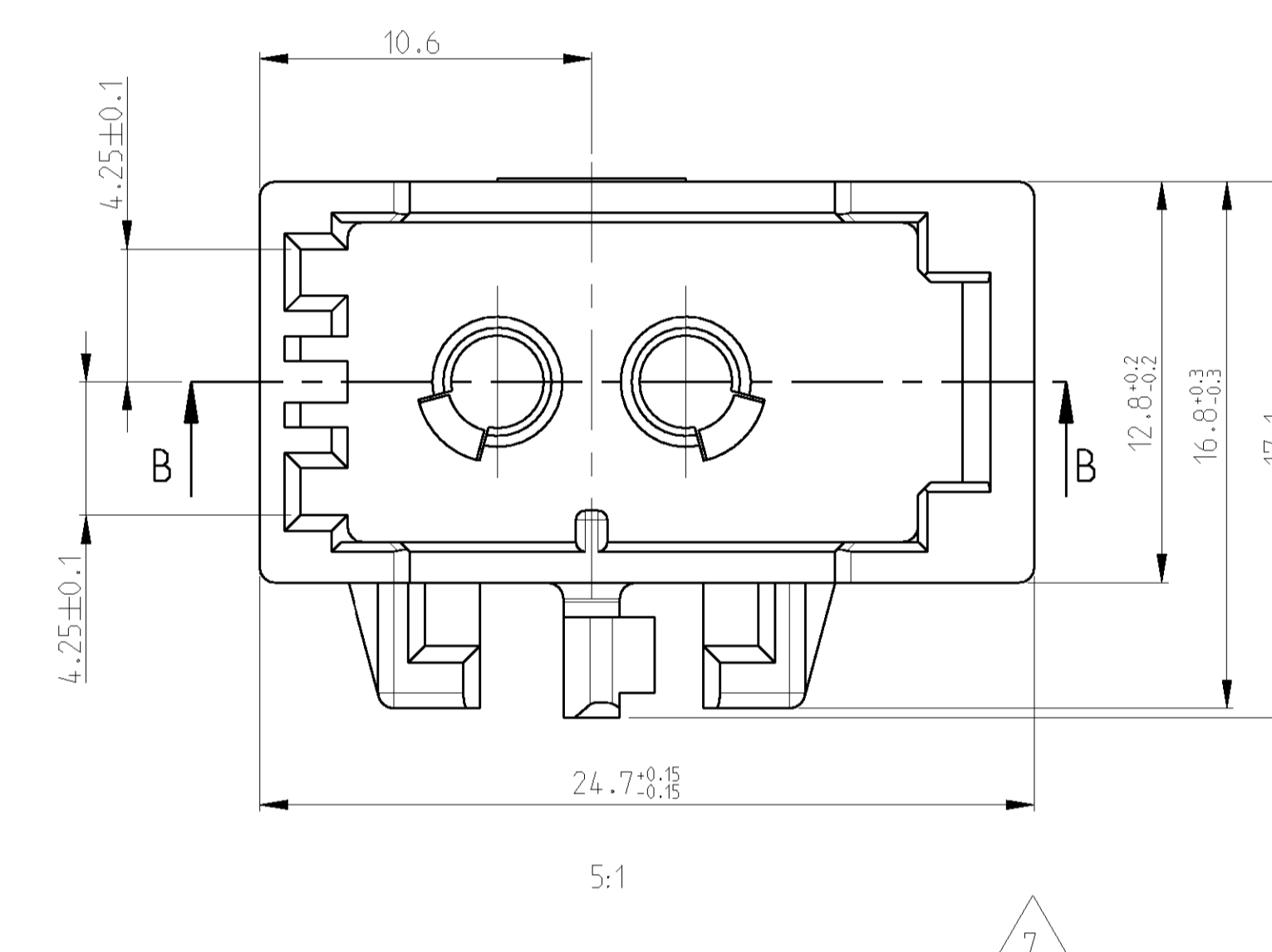
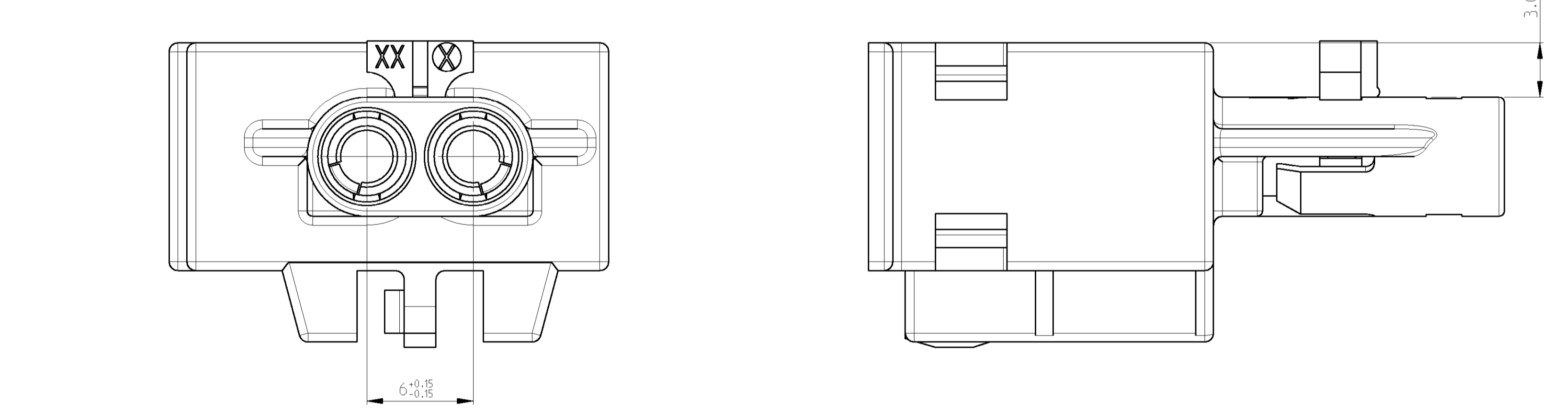
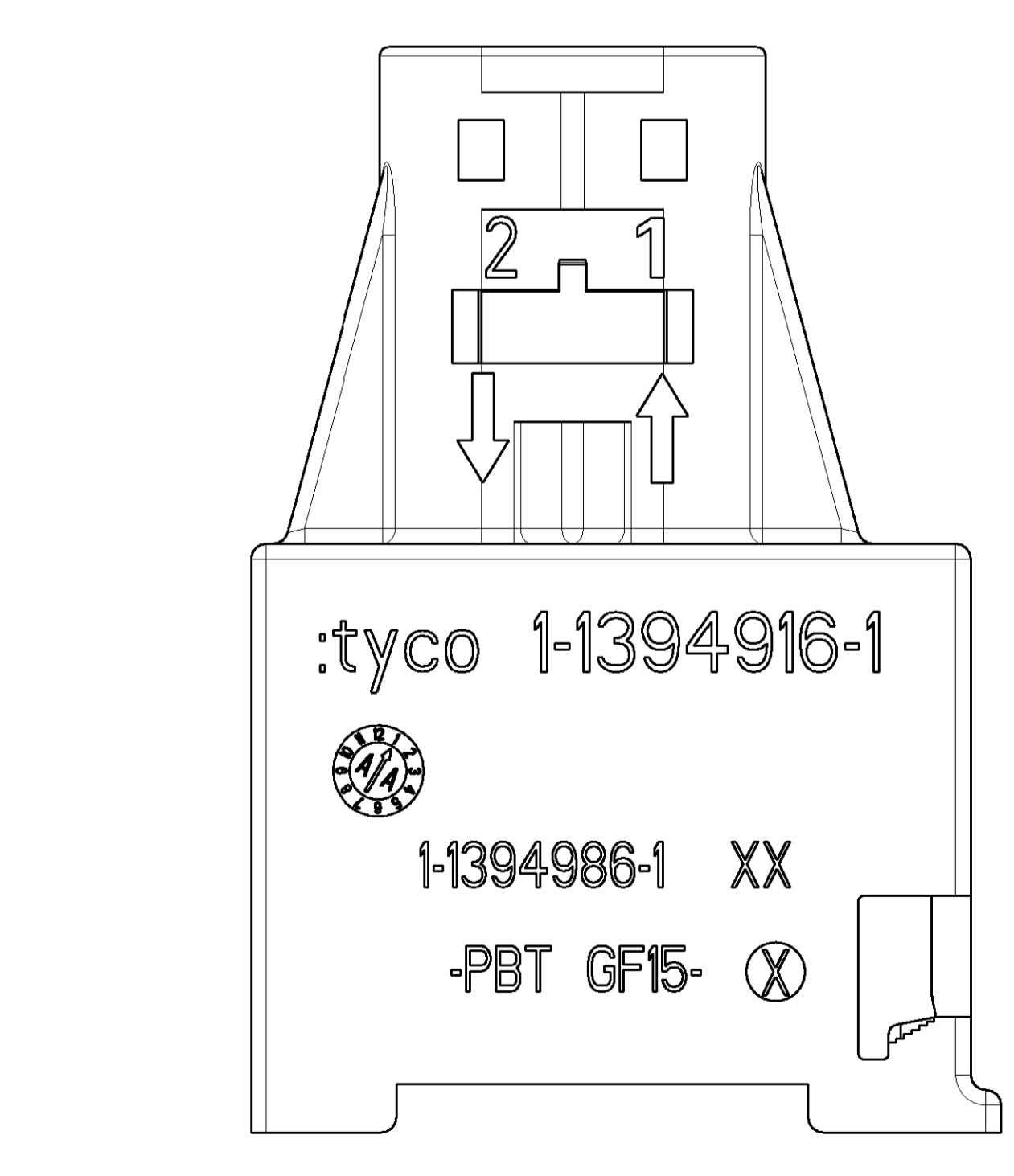
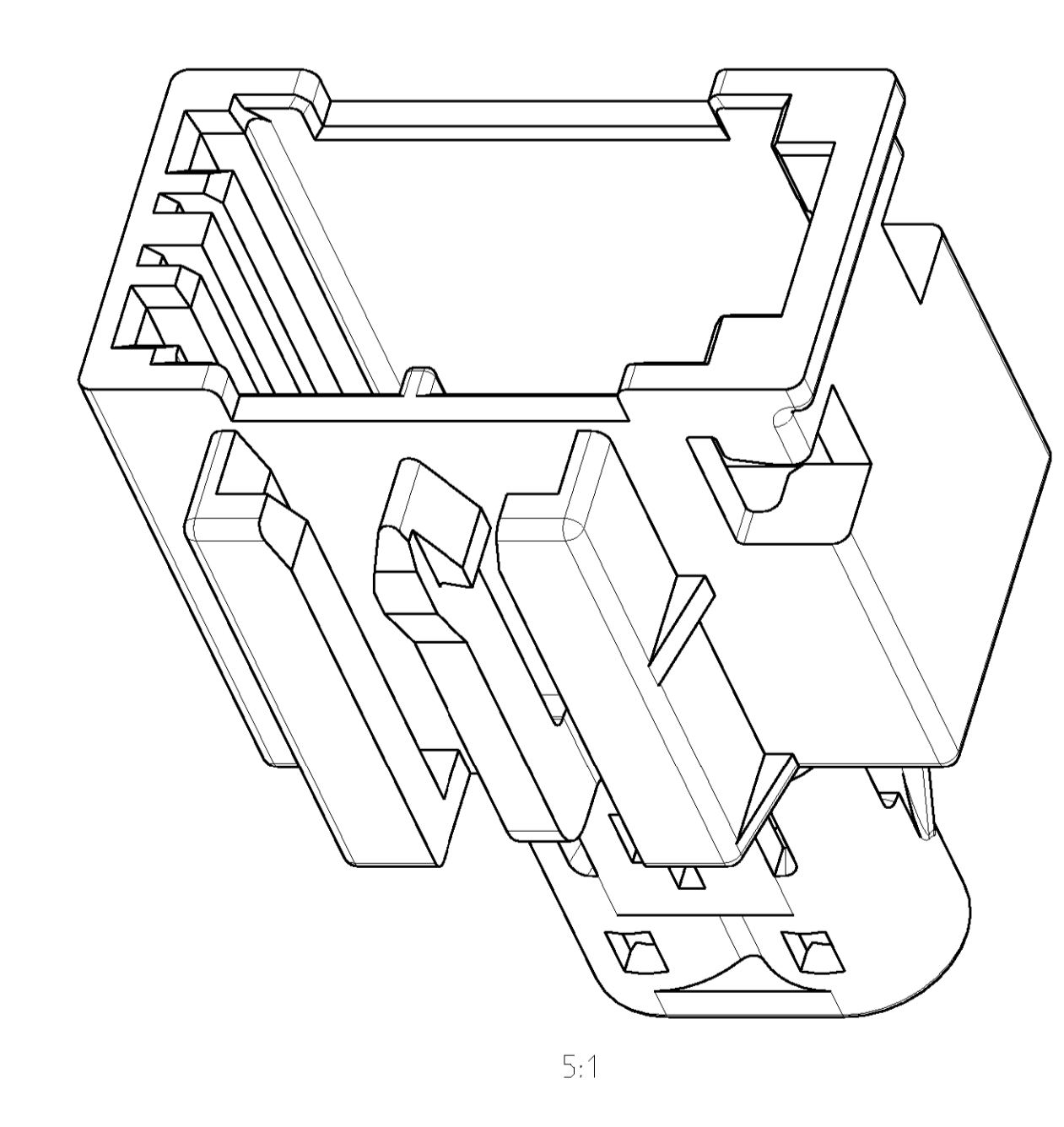


| REV. NO. | DATE | BY | CHK. | APPV. |
|----------|--------------|----|------|-----------------|
| A | EG00-1208-01 | | | ZOHAR2001 WM JH |
| A1 | EG00-1209-01 | | | ZOHAR2001 WM JH |
| A2 | EG00-2771-02 | | | ZOHAR2002 PK JH |
| A3 | EG40-2146-04 | | | ZOHAR2006 PR JH |

| KODIERUNG / CODING | DETAILANSICHT / DETAIL VIEW |
|--|-----------------------------|
| Kodierung B / CODING B 2-1394916-0 | |
| Kodierung C / CODING C 3-1394916-0 | |
| Kodierung D / CODING D 4-1394916-0 | |
| Kodierung E / CODING E 5-1394916-0 | |
| Teil ohne Verbindungselement / PART WITHOUT LOCATOR 1-1394916-0 | |
| Teil mit Verbindungselement / PART WITH LOCATOR Version 1 / VERSION 1 Standard / GENERAL 1-1394916-1 | |
| Teil mit Verbindungselement / PART WITH LOCATOR Version 2 / VERSION 2 1-1394916-2 | |



- Bemerkungen / NOTES
- Zu verwenden mit PN 1418862 Kodierung siehe Tabelle (A3) USED WITH PN 1418862 CODING SEE TABLES
 - Kodierung A wie gezeichnet ohne Sekundaersicherung CODING A AS SHOWN WITHOUT RETAINER
 - Anbindung mit Standardanbindung CONNECTOR FOR GENERAL LOCATOR
 - Lieferung mit Retainer in Vorraststellung DELIVERY WITH RETAINER IN PRE LOCKED POSITION
 - Verpackung Schuehtut im Karton PACKING LOOSE PIECE IN CARTON
 - Massgebend ist der deutsche Text ONLY THE GERMAN-LANGUAGE SHALL BE BINDING
 - Verbindungselement nach Zeichnung 114-18063-2 LOCATOR SHOW DRAWING 114-18063-2
 - Schnittstellenausfuhrung nach Zeichnung 114-18361-1 MATING PART EXECUTION ACC. 114-18361-1



| Auslieferungszustand | Endzustand |
|--|--|
| | |
| Assembly Sekundaersicherung in Vorraststellung ASSY PRE-LOCKED POSITION RETAINER IN PRE LOCKED POSITION | Assembly Sekundaersicherung in Endraststellung ASSY PRE-LOCKED POSITION RETAINER IN LOCKED POSITION |

| LOCATOR | CUSTOMER NO. | TYCO PART NO. | REV. | QTY | Pos. | DESCRIPTION | COLOUR | COD. | Passend zu / SUITABLE FOR: | ITEM NO. |
|----------------|----------------|----------------|----------------|----------------|----------------|-----------------------------|------------------|--------------|----------------------------|----------------|
| --- | --- | --- | --- | --- | --- | RETAINER | BLUE | E | --- | --- |
| --- | --- | --- | --- | --- | --- | INLINE CONNECTOR | BLUE | E | --- | --- |
| --- | --- | --- | --- | --- | --- | RETAINER | BLUE | D | --- | --- |
| --- | --- | --- | --- | --- | --- | RETAINER | BLUE | C | --- | --- |
| --- | --- | --- | --- | --- | --- | INLINE CONNECTOR | --- | B | --- | --- |
| --- | --- | --- | --- | --- | --- | RETAINER | BLUE | A | --- | --- |
| --- | --- | --- | --- | --- | --- | INLINE CONNECTOR | BLACK | A | --- | --- |
| --- | --- | --- | --- | --- | --- | RETAINER | BLUE | E | --- | --- |
| --- | --- | --- | --- | --- | --- | RETAINER | BLUE | D | --- | --- |
| --- | --- | --- | --- | --- | --- | RETAINER | BLUE | C | --- | --- |
| --- | --- | --- | --- | --- | --- | INLINE CONNECTOR | --- | B | --- | --- |
| --- | --- | --- | --- | --- | --- | RETAINER | BLUE | A | --- | --- |
| --- | --- | --- | --- | --- | --- | INLINE CONNECTOR | BLACK | A | --- | --- |
| --- | --- | --- | --- | --- | --- | RETAINER | BLUE | E | --- | --- |
| --- | --- | --- | --- | --- | --- | RETAINER | BLUE | D | --- | --- |
| --- | --- | --- | --- | --- | --- | RETAINER | BLUE | C | --- | --- |
| --- | --- | --- | --- | --- | --- | INLINE CONNECTOR | --- | B | --- | --- |
| --- | --- | --- | --- | --- | --- | RETAINER | BLUE | A | --- | --- |
| --- | --- | --- | --- | --- | --- | INLINE CONNECTOR | BLACK | A | --- | --- |