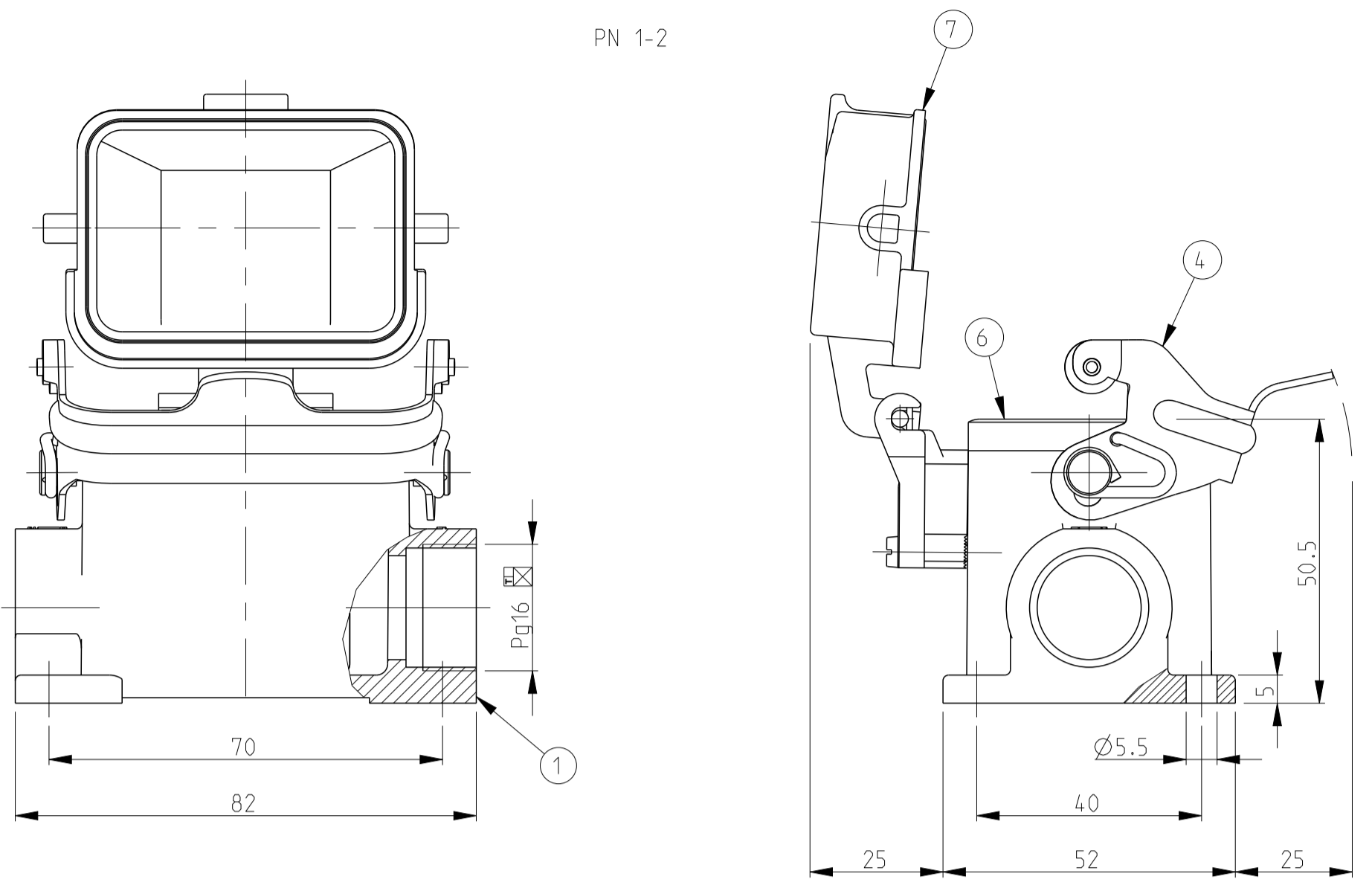
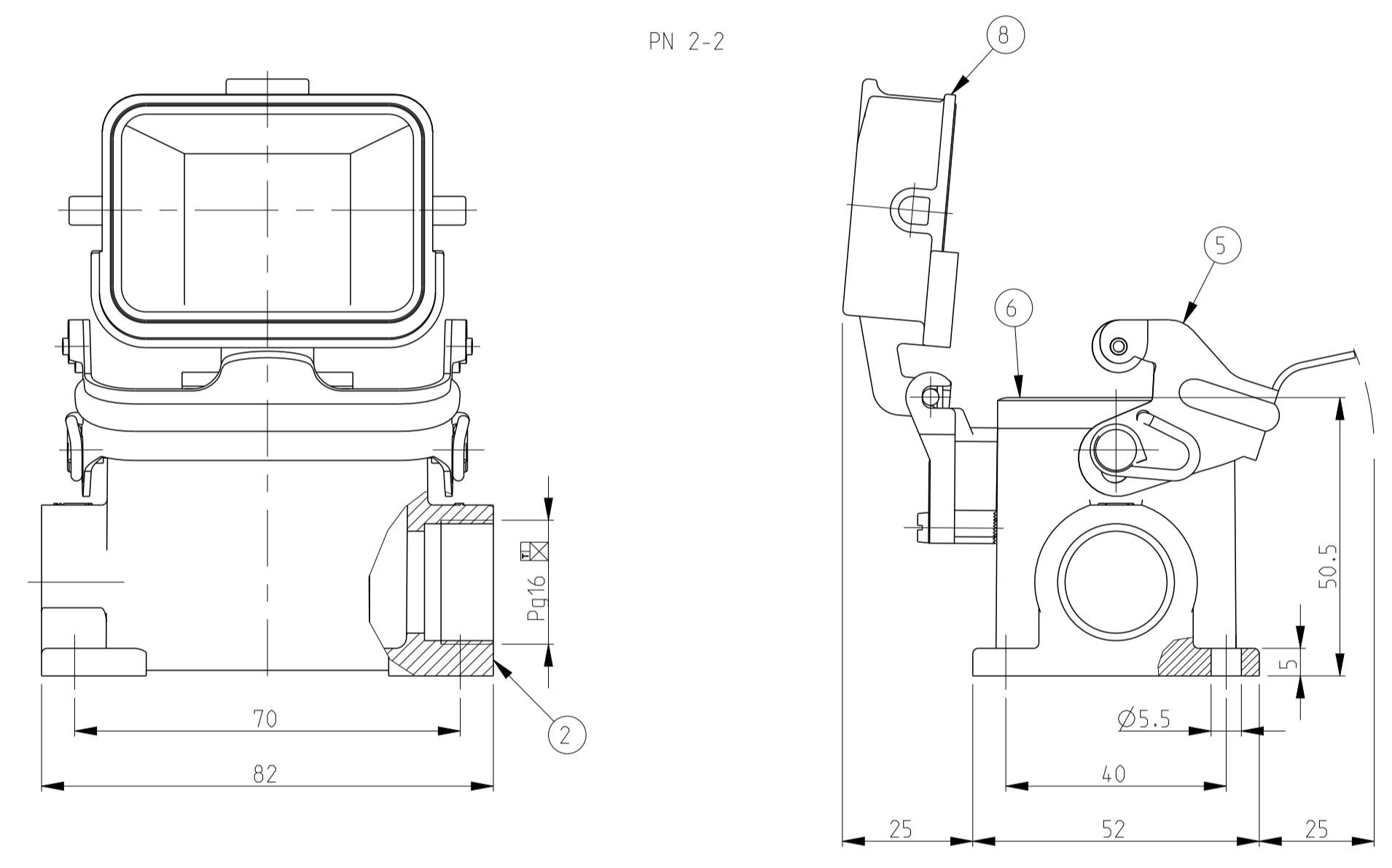


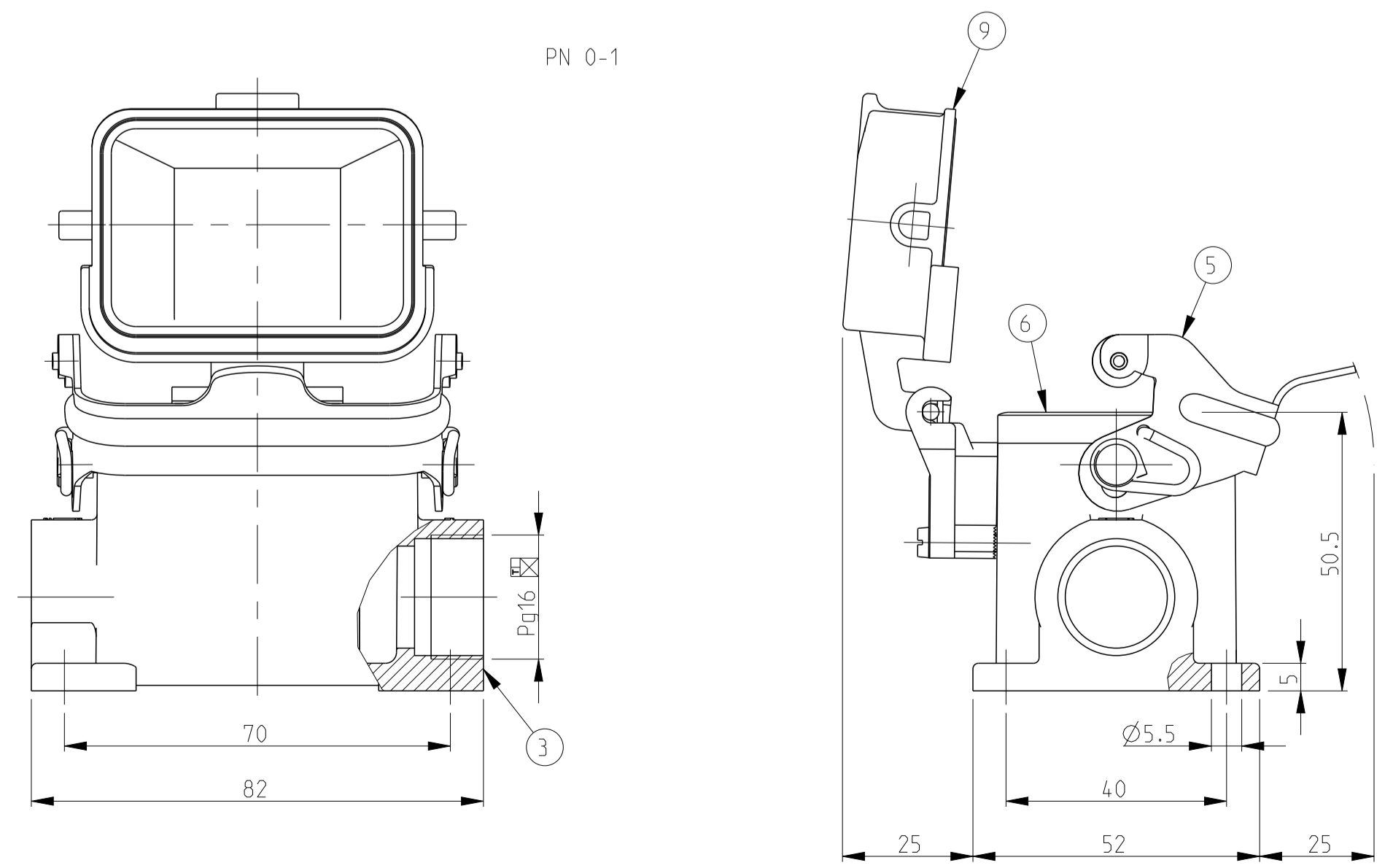
PN 1-2



PN 2-2



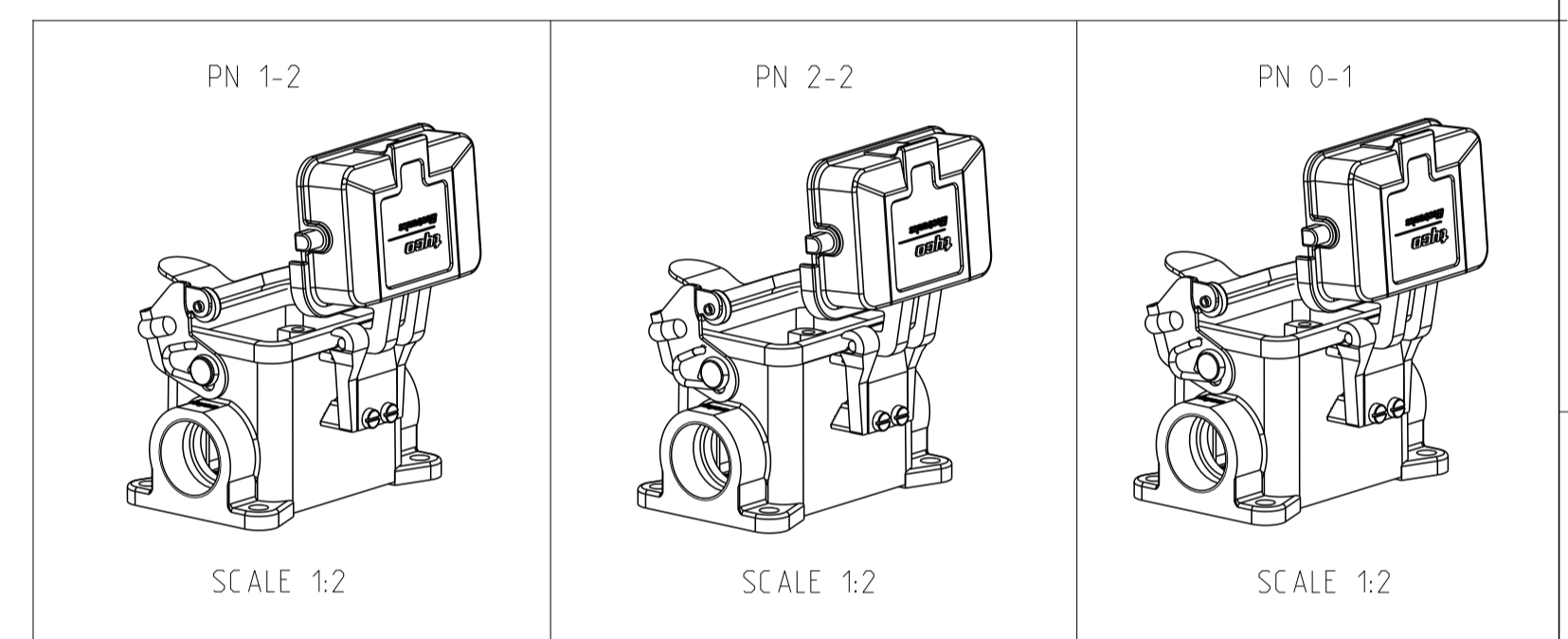
PN 0-1



REVISIONS				
P.	LTN	DESCRIPTION	DATE	DWN APVD
A3		Released as per ECR-08-018916	29.July.2008	SP TS
A4		REVISED PER ECR-17-013084	12JAN2018	SRG MKO

NOTES.

- 1 Material:Housing:Aluminium Diecasting Alloy
Seals:Neoprene
- 2 Surface:Varnish grey
-Aluminium Oxide +Varnish Black
-Aluminium Oxide +Varnish Aluminium color
-Grey
- 3 Varnish on the inside not necessary
- 4 Packaging
Quantity 5 Pieces in a box



DESCRIPTION	MATERIAL	SURFACE	COLOR	ITEM NO	REMARKS
Cover finished product HB6	Aluminium	Hard coat	Aluminium-colored	9	
Cover finished product HB6	Aluminium	Hard coat	Black RAL 9005	8	
1 Cover finished product HB6	Aluminium		Grey RAL 7001	7	
1 Profile seal	Neoprene		Black	6	
Side clip finished product	Stainless steel	Blank		5	
1 Side clip finished product	Steel	Zinc plated	Blue	4	
Surface mounted housing side entry HB6	Aluminium	Hard coat	Aluminium-colored	3	
Surface mounted housing side entry HB6	Aluminium	Hard coat	Black RAL 9005	2	
1 Surface mounted housing side entry HB6	Aluminium		Grey RAL 7001	1	

ORDERING TEXT
 HB-6.SGD-LB.1.16-Z
 HB-K-6.SGD-LB.1.16-Z
 HB-K-6.SGD-LB.1.16-Z

THIS DRAWING IS A CONTROLLED DOCUMENT. DWN: Schneider 28.05.02
 CHK: Schweiiger 28.05.02

TE Connectivity

NAME: Surface mounted housing side entry HB.6.SGD-LB.1.16

PRODUCT SPEC: 108-74009
 APPLICATION SPEC: 116-74001

SIZE: A1 CAGE CODE: 00779 DRAWING NO: 1102253

MATERIAL: - FINISH: - WEIGHT: -

CUSTOMER DRAWING SCALE: 1:1 SHEET: 1 OF 1 REV: A4