

4

3

2

1

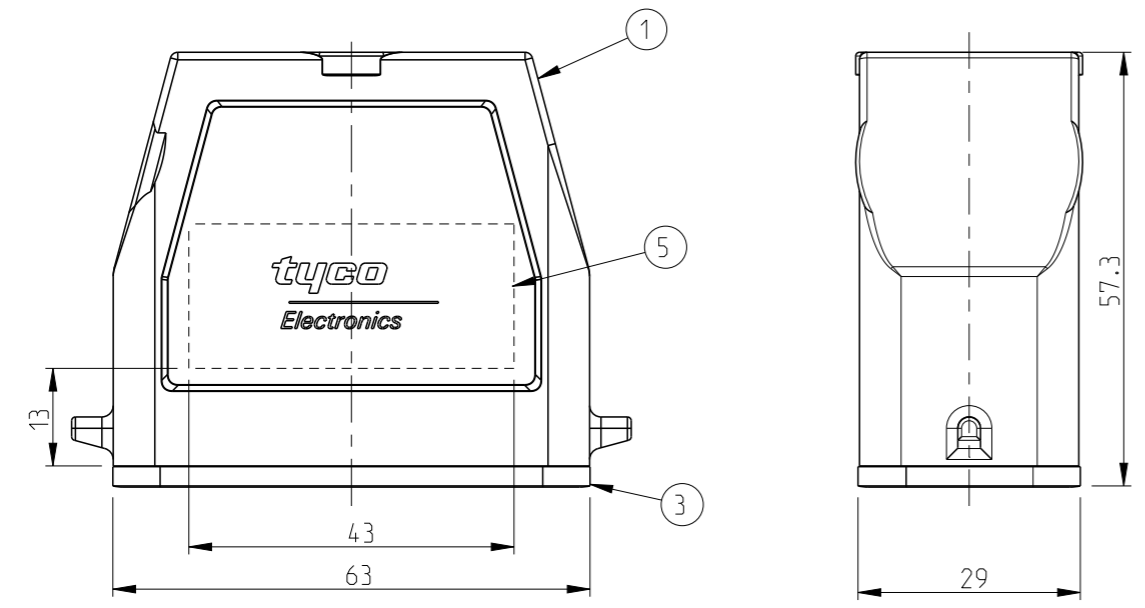
THIS DRAWING IS UNPUBLISHED. RELEASED FOR PUBLICATION 2000

© COPYRIGHT 2000 BY - ALL RIGHTS RESERVED.

REVISIONS

P	LTR	DESCRIPTION	DATE	DWN	APVD
B2		RELEASED AS PER ECR-09-005170	05.MAR.2009	GG	TS
B3		ECR-16-015318	17AUG2017	GR	MKO

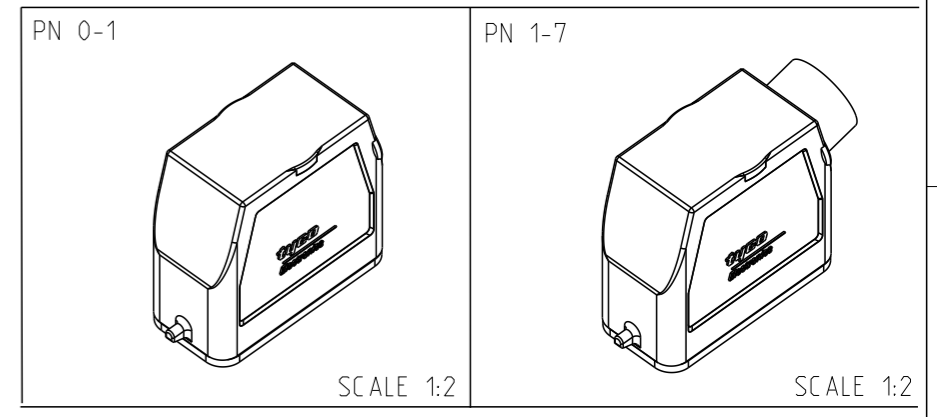
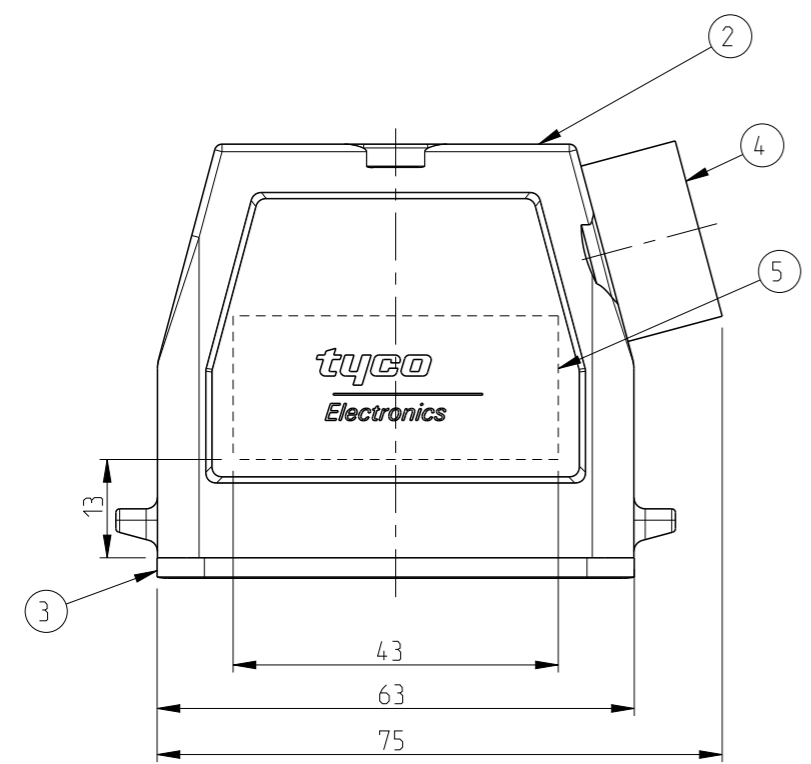
PN 0-1



NOTES

- 1 PACKAGING
PACKAGING QUANTITY:5 PIECES PER BOX
- 2 MATERIAL:HOUSING ALUMINIUM DIECASTING ALLOY
- 3 SURFACE:VARNISH-GREY
- 4 VARNISH ON THE INSIDE NOT NECESSARY

PN 1-7



QTY	DESCRIPTION	MATERIAL	SURFACE	COLOR	ITEM NO	REMARKS
2	INSULATING TAPE	COROPLAST TYP 303	-	GREY	5	PVC-SOFT
1	ADAPTOR ROUND	BRASS	NICKEL PLATED	BLUE	4	PG16
1	PROFILE SEAL	NEOPRENE	-	BLACK	3	
1	HA,HOOD	ALUMINIUM	-	GREY	2	
-	HA,HOOD	ALUMINIUM	-	GREY	1	WITHOUT PG

HA.10.STS.1.16.Z

THIS DRAWING IS A CONTROLLED DOCUMENT.

DIMENSIONS: mm	TOLERANCES UNLESS OTHERWISE SPECIFIED: 0 PLC ± 1 PLC ± 2 PLC ± 3 PLC ± 4 PLC ± ANGLES ±
MATERIAL	FINISH

DWN S.KUMAR 2/24/2006
 CHK R.SRINIVAS 2/24/2006
 APVD T.SCHNURPFIL 2/24/2006
 PRODUCT SPEC 108-74009
 APPLICATION SPEC 114-74001
 WEIGHT -

STE TE Connectivity

NAME HOOD
HA.10.STS.1.16.Z

SIZE A3	CAGE CODE 00779	DRAWING NO C=1102116	RESTRICTED TO -
---------	-----------------	----------------------	-----------------

CUSTOMER DRAWING SCALE 1:1 SHEET 1 OF 1 REV B3