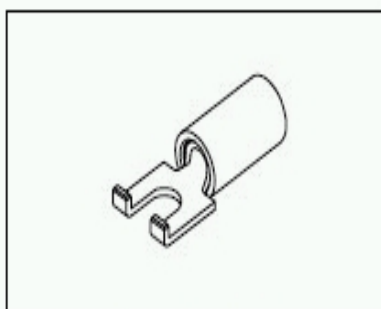


8-324581-2 Product Details

Have a Question?

Chat with a Product Information Specialist



8-324581-2

TE Internal Number: 8-324581-2

Active

[View 3D PDF](#)

Ring and Spade Tongue Terminals

[Always EU RoHS/ELV Compliant \(Statement of Compliance\)](#)

Product Highlights:

- Terminal Shape = Spade Tongue, Flanged
- Receptacle Style = Straight
- Body Style = PLASTI-GRIP
- Barrel Type = Closed Barrel
- Wire/Cable Type = Regular Wire

[View all Features](#)

Quick Links

- ▶ [Check Pricing & Availability](#)
- ▶ [Search for Tooling](#)
- ▶ [Product Feature Selector](#)
- ▶ [Contact Us About This Product](#)

Documentation & Additional Information

Product Drawings:

- [TERMINAL, SPADE, FLANGED, PLASTI-GRIP, WIRE SIZE: 12...](#) (PDF, English)

Catalog Pages/Data Sheets:

- None Available

Product Specifications:

- None Available

Application Specifications:

- [PLASTI-GRIP Terminals and Splices](#) (PDF, English)

Instruction Sheets:

- None Available

CAD Files: ([CAD Format & Compression Information](#))

- [2D Drawing](#) (DXF, Version R)
- [3D Model](#) (IGES, Version R)
- [3D Model](#) (STEP, Version R)

Additional Information:

- [Product Line Information](#)

Additional Product Images:

- [Product Photo](#)

Related Products:

- [Tooling](#)

[List all Documents](#)

Product Features (Please use the Product Drawing for all design activity)

Product Type Features:

- [Terminal Shape](#) = Spade Tongue, Flanged
- [Receptacle Style](#) = Straight
- [Body Style](#) = PLASTI-GRIP
- [Barrel Type](#) = Closed Barrel
- [Wire/Cable Type](#) = Regular Wire
- [Insulation](#) = Yes
- [Insulation Support](#) = Insulation Support
- [Insulation Diameter \(mm \[in\]\)](#) = 3.81-6.35 [.150-.250]
- [Stud Diameter \(mm \[in\]\)](#) = 3.51 [0.138]
- Stud Size = 6 [M3.5]
- [Shape](#) = SPADE-025
- [Heavy Duty](#) = No
- [Material](#) = Copper
- [Finish](#) = Tin
- Tongue Material Thickness (mm [in]) = 1.07 [0.042]
- Color = Yellow
- Insulation Material = Vinyl

Electrical Characteristics:

- Voltage (VAC) = 600

Body Related Features:

- [Wire Range \(mm \[AWG\]\)](#) = 3.00-6.00² [12-10]
- Wire Range (CMA) = 5,180 - 13,100

Industry Standards:

- Government/Industry Qualification = No
- [RoHS/ELV Compliance](#) = RoHS compliant, ELV compliant
- [Lead Free Solder Processes](#) = Not relevant for lead free process
- RoHS/ELV Compliance History = Always was RoHS compliant

Packaging Related Features:

- [Packaging Method](#) = Loose Piece
- Packaging Quantity = 50/Box

Other:

- Brand = AMP

BOOKMARK

Corporate Information

- [Who We Are](#)
- [Investors](#)
- [News Room](#)
- [Supplier Portal](#)
- [Careers](#)

Quick Links

- [Check Distributor Inventory](#)
- [Cross Reference](#)
- [Find Documents & Drawings](#)
- [Product Compliance Support Center](#)
- [Site Map](#)

Customer Support

- [Email or Chat with Us](#)
- [Find a Phone Number](#)
- [Search Knowledge Base](#)
- [Manage Your Account](#)

Sign up for our eNewsletter

Enter your email address

Follow Us On:



Visit Us On:

