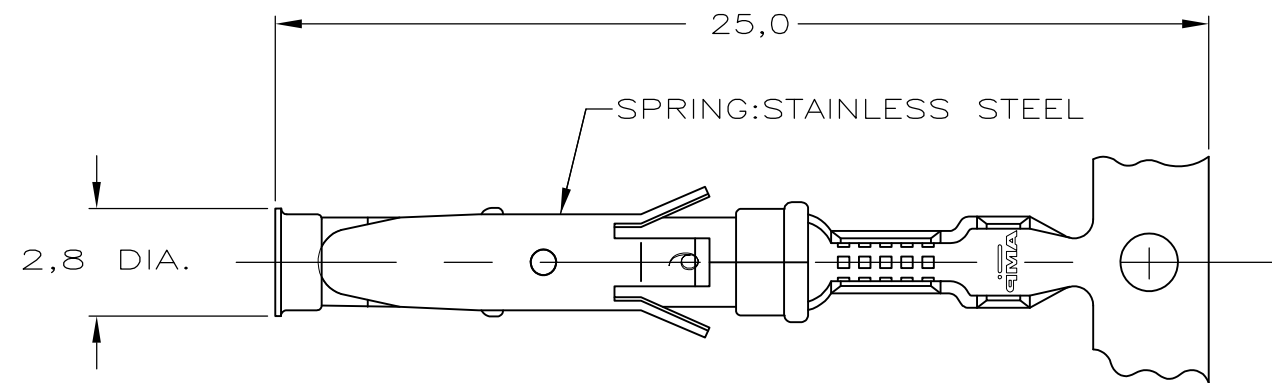
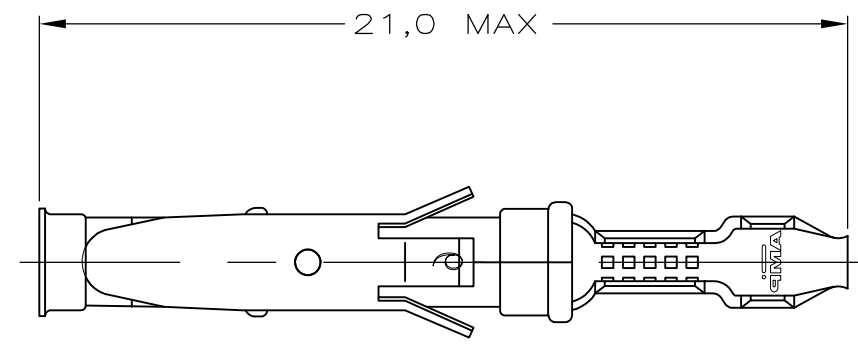


THIS DRAWING IS UNPUBLISHED. RELEASED FOR PUBLICATION
 © COPYRIGHT - By - ALL RIGHTS RESERVED.

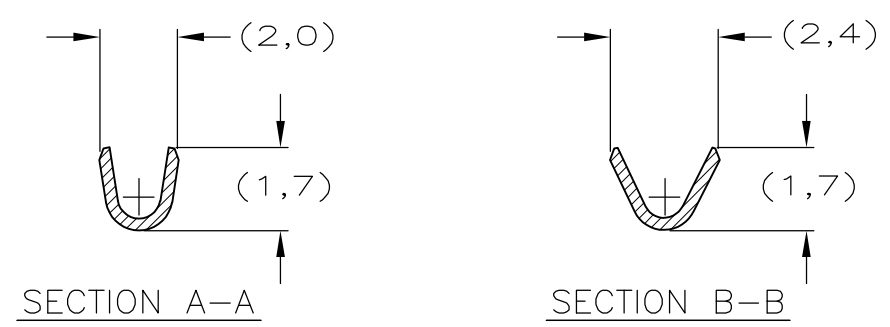
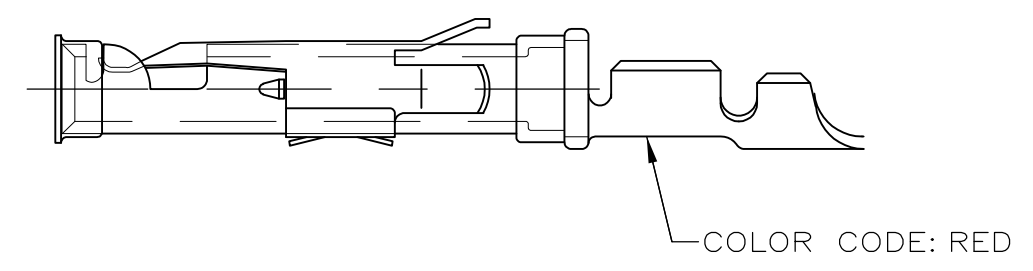
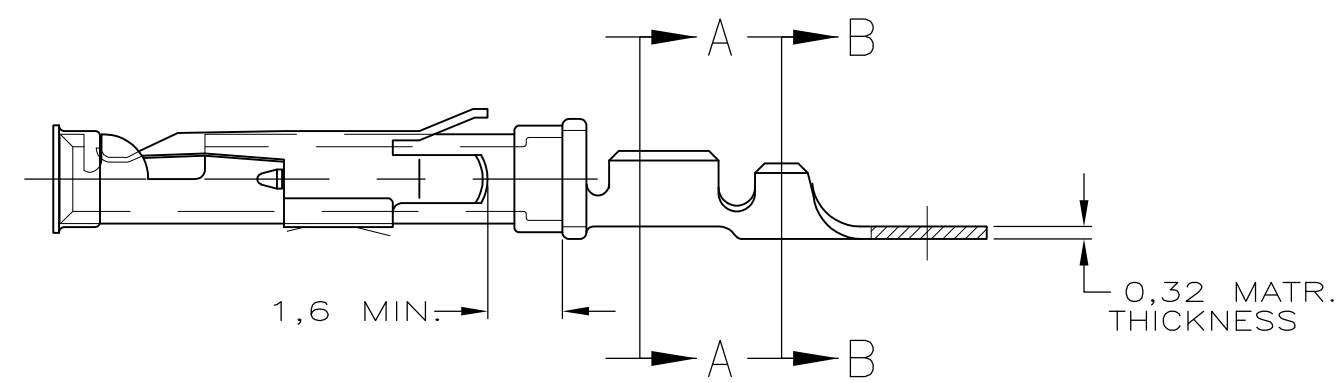
LOC	DIST	REVISIONS					
		P	LTR	DESCRIPTION	DATE	DWN	APVD
-	-		Y3	ADDITION OF NOTE 6, TEXT "MAX" TO DIM 21.0 IN ZONE D2 AND TEXT "REF" DIM 2.0, 1.7, 2.4, & 1.7 IN ZONE B4 & B3.	21JULY2015	TJ	PS



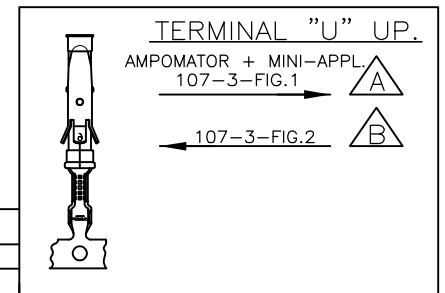
STRIP



LOOSE-PIECE



WIRE RANGE : 0.12-0.20 mm² (26-24 AWG)
 INSUL. RANGE : 0.9 -1.4 mm (.035-.055)



OBsolete	Part Number	Direction of Reel	Loose-Piece	Material	Plating
△	1-163091-3	△	△	BRASS	EL.TIN
△	1-163091-2	△	△	BRASS	BR.TIN
	1-163091-1	△		BRASS	ECON.GOLD
	1-163091-0	△	△	BRASS	ECON.GOLD
	163091-9	△		BRASS	EL.TIN
	163091-8	△		BRASS	SEL.GOLD
△	163091-2	△	△	BRASS	SEL.GOLD
△	163091-1	△	△	BRASS	EL.TIN

- NOTES :
- 1 UL RECOGNIZED UNDER E28476 VOL VI SEC I
 - 2 FOR CRIMP DETAILS SEE SPEC. 114-19000
 - 3 MEETS PRODUCT SPECIFICATION 108-10042
 - 4 OBSOLETE PARTS: OBSOLETE CIS STREAMLINING PER D.RENAUD/D.SINISI
 - 5 OBSOLETE
 - 6 OMISSION OF 6 CONTACTS MAX PER REEL OF 5000PCS

NOTES	MATERIAL	THICKNESS	AREA
△20	TIN	2,0 μm	ALL OVER
△21	NICKEL GOLD TIN	0,8 μm	ALL OVER CONTACT AREA BARREL
△22	NICKEL GOLD GOLD	0,8 μm	ALL OVER CONTACT AREA ALL OVER
△23	NICKEL GOLD GOLD	1,2 μm	ALL OVER CONTACT AREA ALL OVER
△27	NICKEL SILVER TIN	2,5 μm	ALL OVER CONTACT AREA BARREL
△28	SILVER	0,5 μm	ALL OVER
△29	SILVER	2,5 μm	ALL OVER
△30	NICKEL TIN	1,27 μm	ALL OVER
	TIN	1,27 μm	ALL OVER

THIS DRAWING IS A CONTROLLED DOCUMENT.

DIMENSIONS:	TOLERANCES UNLESS OTHERWISE SPECIFIED:
mm	0 PLC ± -
	1 PLC ± -
	2 PLC ± -
	3 PLC ± -
	4 PLC ± -
	ANGLES ± -
MATERIAL	FINISH
REFER TABLE	REFER TABLE

DWN	L.V.D.HEIJDEN	19.08.87
CHK	P.V.D.HAGEN	20.08.87
APVD	L.V.SOEST	20.08.87
PRODUCT SPEC	108-10042	
APPLICATION SPEC	114-19000	
WEIGHT	-	
CUSTOMER DRAWING		

STE TE Connectivity

TYPE III+, SIZE 16, SOCKET ASS'Y,
26-24 AWG, 0.9-1.4mm DIA INSULATION

SIZE	CAGE CODE	DRAWING NO	RESTRICTED TO
A3	00779	C-163091	-

SCALE - SHEET 1 OF 1 REV Y3