

THIS DRAWING IS UNPUBLISHED. RELEASED FOR PUBLICATION
 © COPYRIGHT - By - ALL RIGHTS RESERVED.

REVISIONS					
P	LTR	DESCRIPTION	DATE	DWN	APVD
C		REVISED PER ECR-18-018615	06MAY2019	SS	PO

SPECIFICATIONS:

MATERIALS:

CASE: LCP UL94V-0, BLACK
 COVER, NICKEL SILVER ALLOY-PLATE SILVER OVER NICKEL.
 ACTUATOR: NYLON 46 UL94V-0, BLACK
 MOVING CONTACT: COPPER ALLOY-PLATE SILVER OVER NICKEL
 FIXED CONTACT/TERMINAL, COPPER ALLOY-PLATE SILVER OVER NICKEL
 SPRING PLATE, STAINLESS STEEL-PLATE SILVER OVER NICKEL

ELECTRICAL:

CONTACT RATING: 300mA@4VDC.
 INITIAL CONTACT RESISTANCE, 70 MILLIOHMS MAX.
 FINAL CONTACT RESISTANCE, 100 MILLIOHMS MAX.
 INSULATION RESISTANCE: 100 MEGAOHMS MIN.
 DIELECTRIC STRENGTH: 100 VAC FOR 1 MINUTE.
 LIFE EXPECTANCY: 10,000 CYCLES.

MECHANICAL:

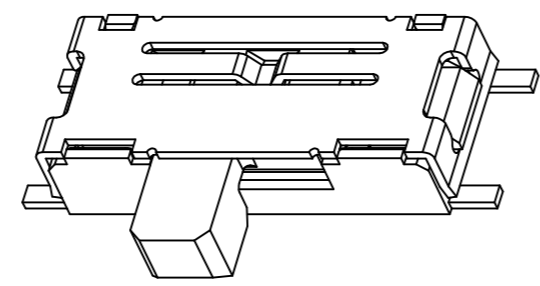
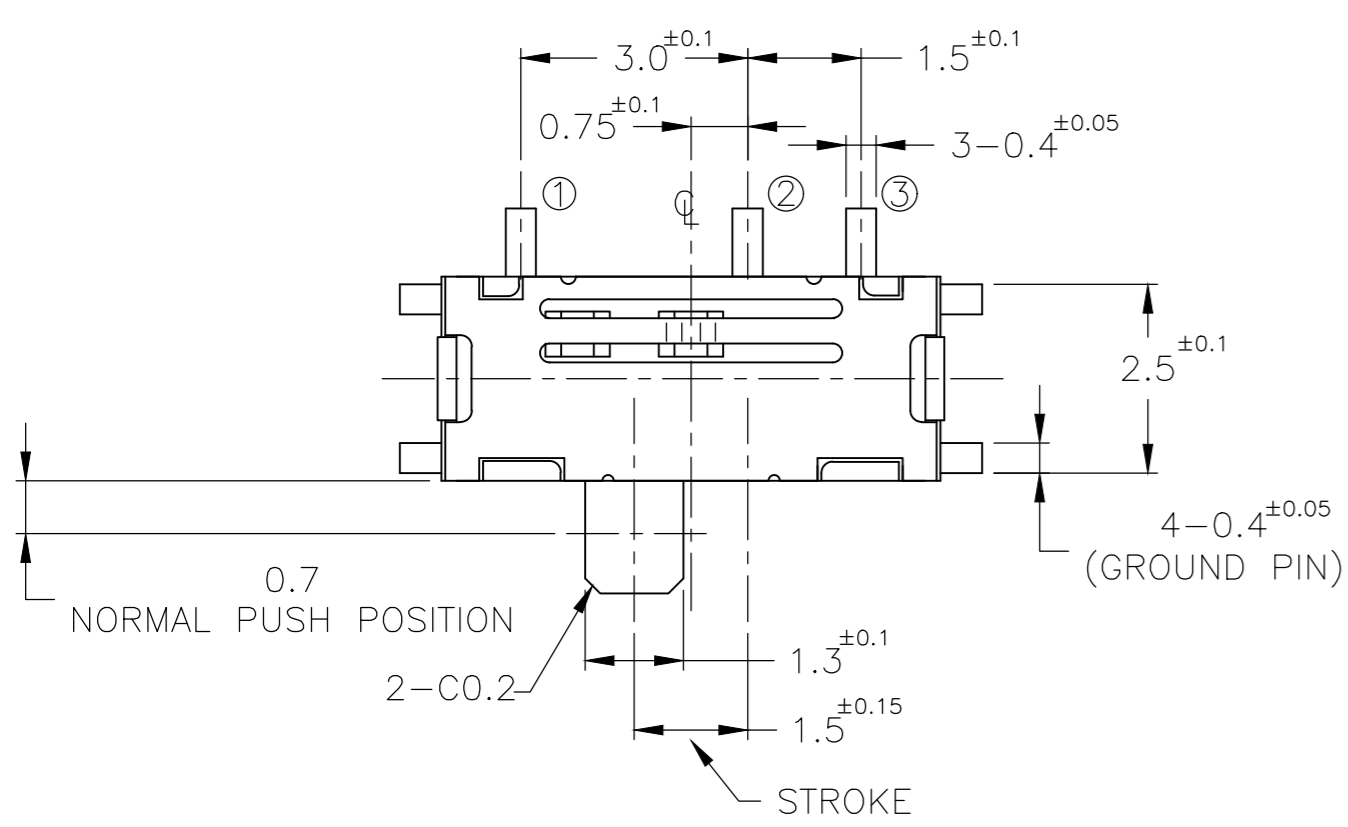
ACTION FORCE: 150±70 gf.
 ACTION TRAVEL, 1.50±0.15
 LIFE EXPECTANCY, 10,000 CYCLES.

ENVIRONMENTAL:

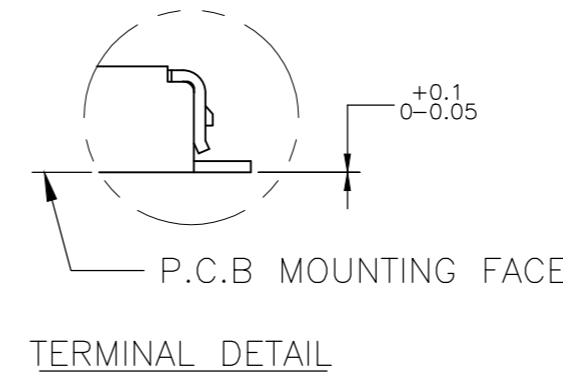
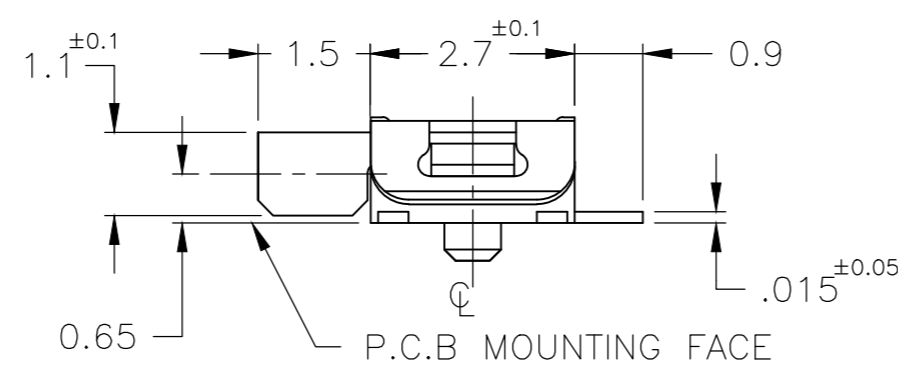
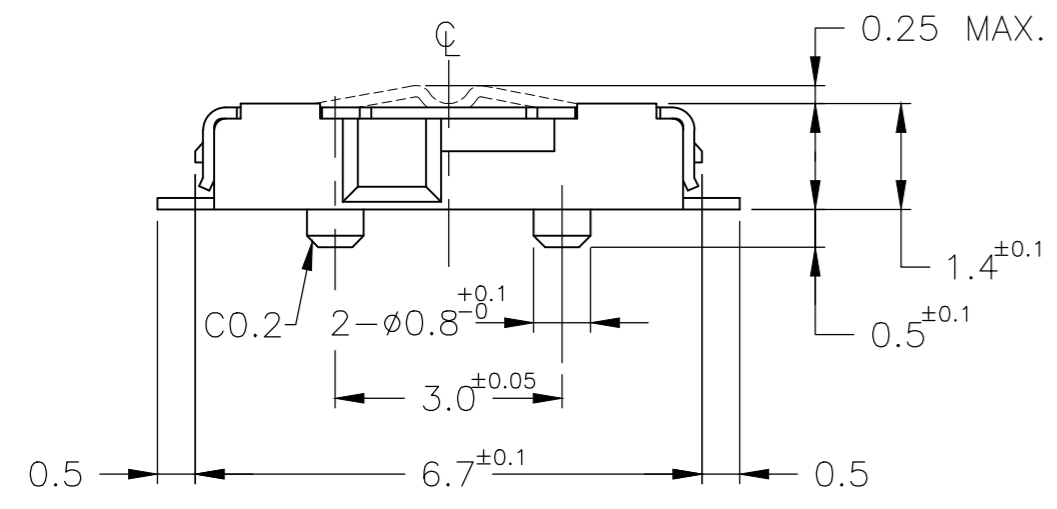
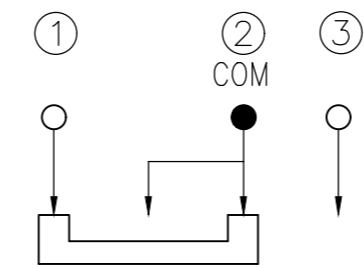
OPERATING TEMPERATURE, -20 TO +85 DEGREES C
 STORAGE TEMPERATURE, -40 TO +100 DEGREES C
 HUMIDITY, MIL-STD-202, METHOD 103, CONDITION B
 MOISTURE RESISTANCE, MIL-STD-202, METHOD 106
 THERMAL SHOCK, MIL-STD-202, METHOD 107, CONDITION A
 SOLDERABILITY, PER EIA-364-52, CLASS 2, CATEGORY 1,
 95%MINIMUM COVERAGE
 RESISTENCE TO SOLDER HEAT, 109-201, CONDITION B

NOTES:

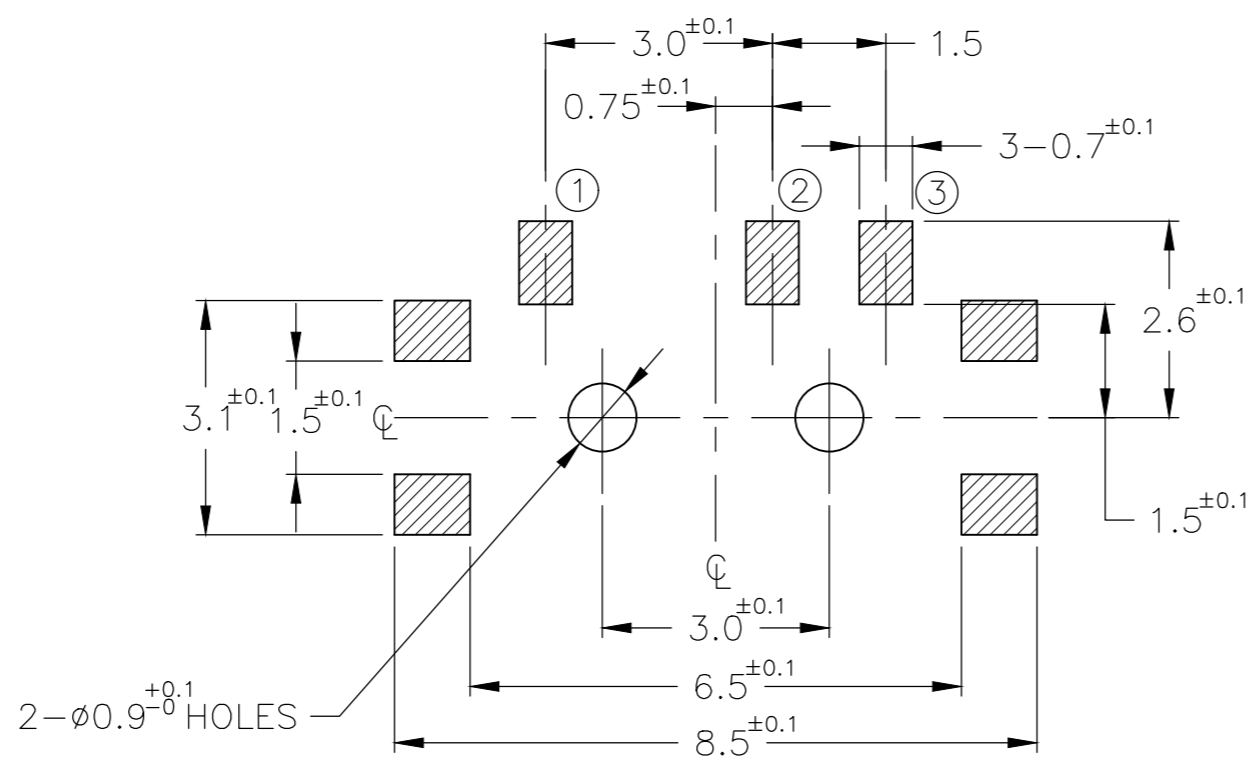
- ALL MATERIALS AND FINISHES SHALL COMPLY WITH EU DIRECTIVE 2002/95/EC OF 27JAN2003(ROHS).
- TAPE AND REEL PACKAGING PER EIA-481, TAPE WIDTH 16mm, PITCH 8mm AND 3300 pcs PER REEL.



SCHEMATIC (1P2T)



P.C.B LAYOUT



8MM	16MM	3,300	T&R	MLL1200STR	1437575-2
N/A	N/A	N/A	BULK	MLL1200S	1437575-1
PITCH	TAPE WIDTH	QTY per Reel	PKG	ALCO P/N	PART NO.

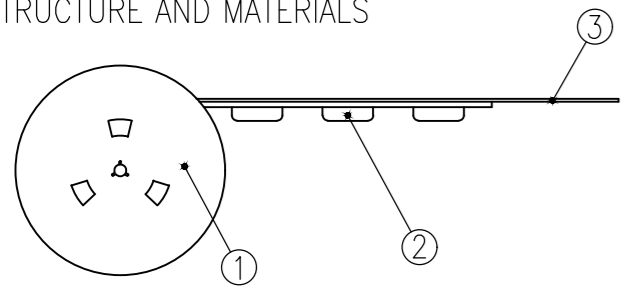
THIS DRAWING IS A CONTROLLED DOCUMENT.		DWN	R BROWN	04DEC01		TE Connectivity		
DIMENSIONS: mm		CHK	H WYNKOOP	04DEC01		NAME		
TOLERANCES UNLESS OTHERWISE SPECIFIED:		APVD	H WYNKOOP	04DEC01		SLIDE SWITCH SPDT,R/A LOW PROFILE SMT		
0 PLC ± - 1 PLC ± - 2 PLC ± 0.13 3 PLC ± - 4 PLC ± - ANGLES ± -		PRODUCT SPEC		SIZE				
MATERIAL		FINISH		WEIGHT	-	SCALE	A2	
		CUSTOMER DRAWING		WEIGHT	-	CAGE CODE	00779	
				WEIGHT	-	DRAWING NO	C=1437575-1	
				WEIGHT	-	RESTRICTED TO	-	
				WEIGHT	-	SHEET	1 of 2	
				WEIGHT	-	REV	C	

1437575-1

REVISIONS					
P	LTR	DESCRIPTION	DATE	DWN	APVD
-	-	SEE SHEET 1	-	-	-

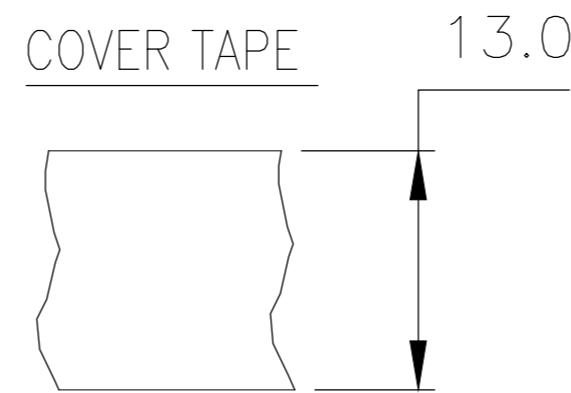
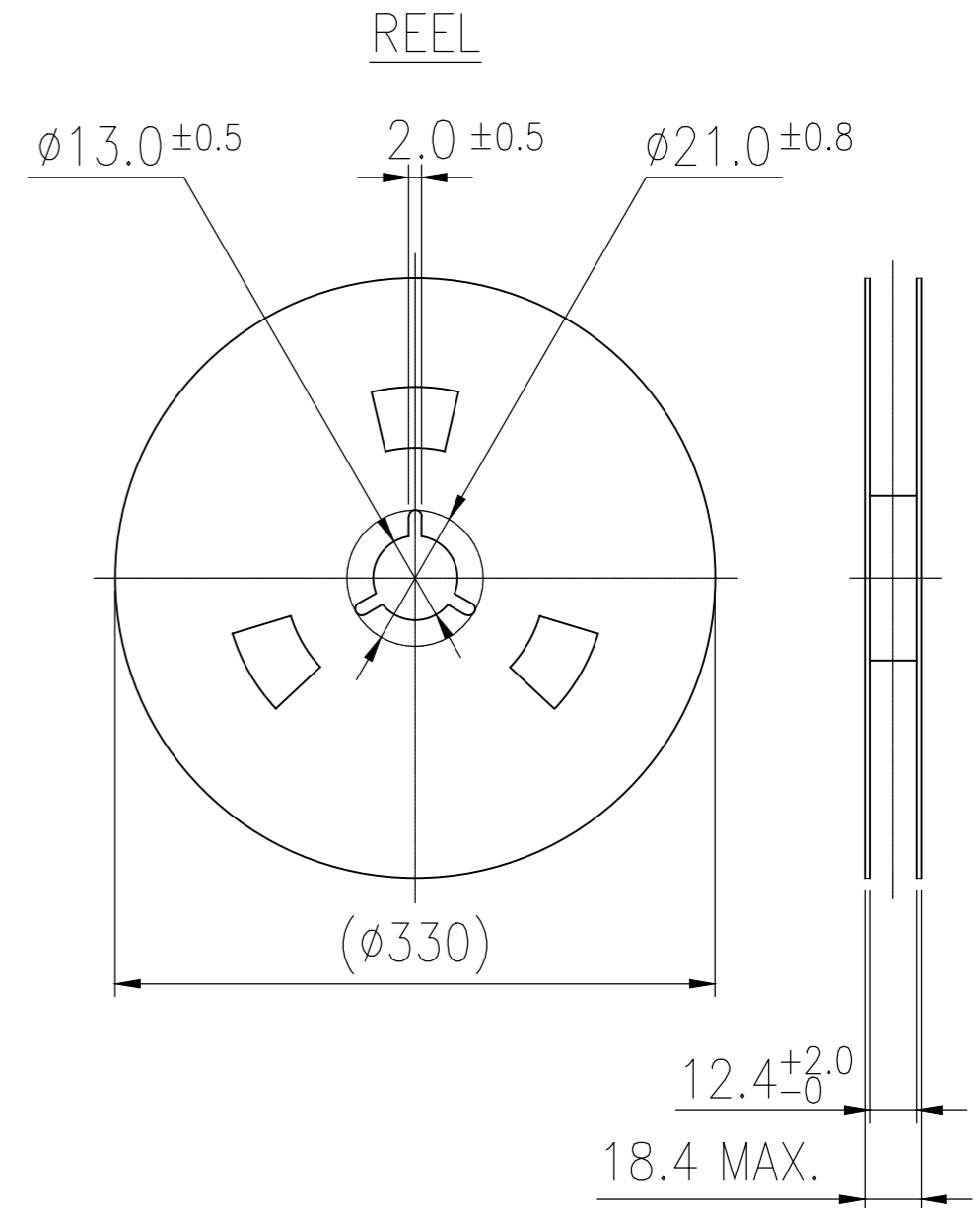
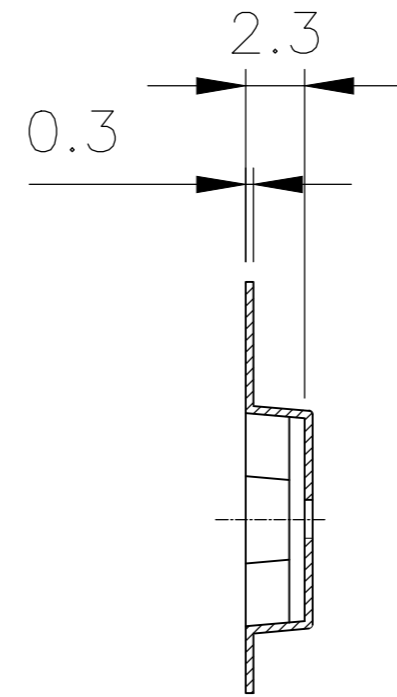
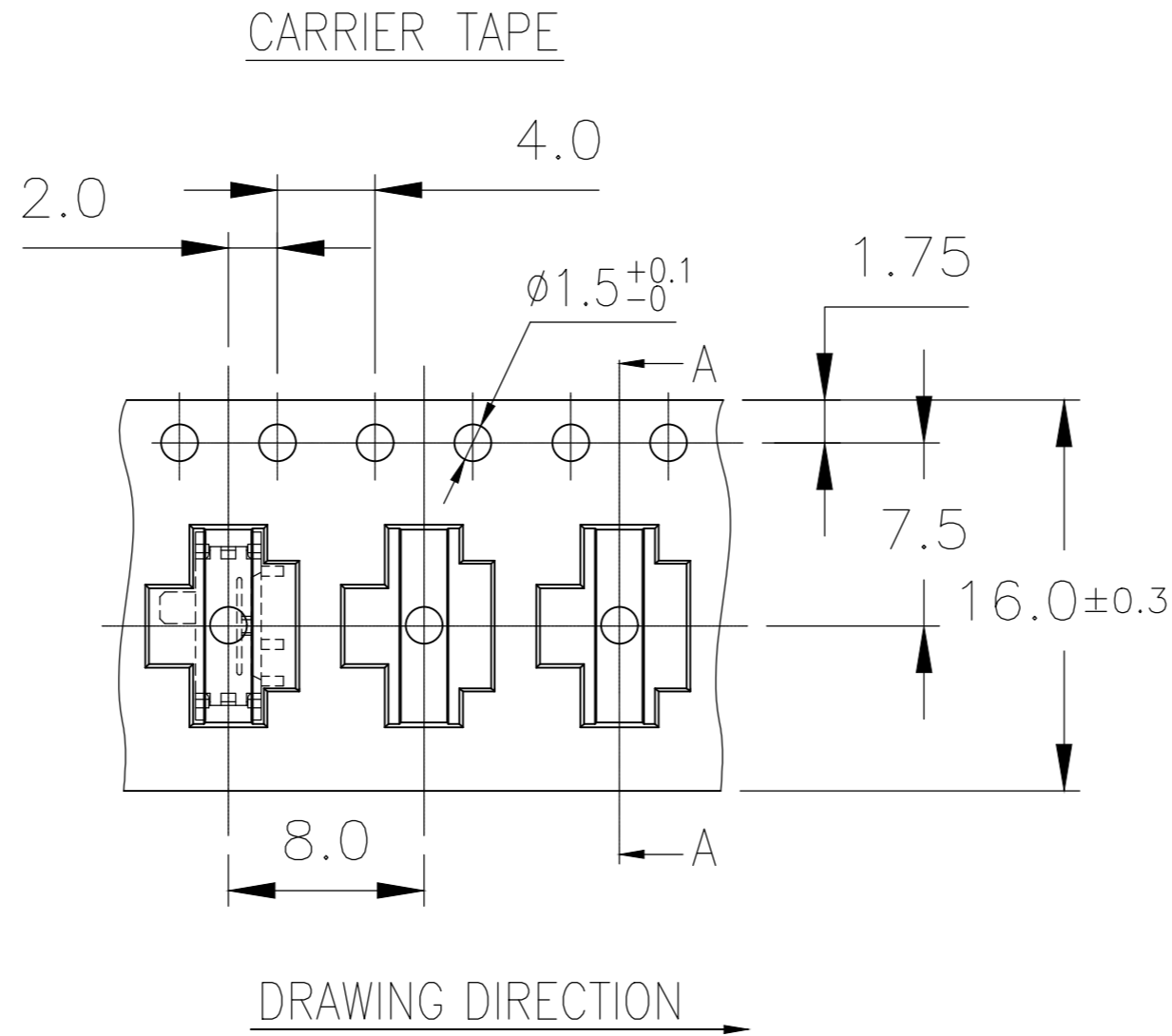
1437575-2 PACKAGING DETAILS:

1. STRUCTURE AND MATERIALS



NO.	PARTS NAME	MATERIALS
③	COVER TAPE	POLYESTER
②	CARRIER TAPE	POLYSTYRENE
①	REEL	POLYSTYRENE

- PACKAGING QUANTITY : 3,300 PCS/REEL
- MORE THAN 10 EMPTY POCKETS SHOULD BE REMAINED AT BOTH ENDS OF THE CARRIER TAPE FOR EACH REEL.
- SHORTAGE LESS THAN 10 PCS A REEL IS ACCTABLE BUT MORE THAN 3 RUNNING POCKETS SHORTAGE IS NOT ALLOWED.
- STRIPPING STRENGTH OF COVER TAPE IS BETWEEN 10 gf TO 130 gf AND STRIPPING ANGLE SHOULD BE WITHIN 165° ~ 180°.
- THE PRODUCT IN THE POCKET OF CARRIER TAPE SHOULD BE PLACED IN A SPECIFIED CORRECT POSITION.
- TAPE AND REEL PER EIA-481.
- DIMENSIONS :



THIS DRAWING IS A CONTROLLED DOCUMENT.		DWN R BROWN 04DEC01	TE Connectivity		
DIMENSIONS: mm		CHK H WYNKOOP 04DEC01			
TOLERANCES UNLESS OTHERWISE SPECIFIED:		APVD H WYNKOOP 04DEC01	NAME -		
0 PLC ± -		PRODUCT SPEC	SLIDE SWITCH SPDT,R/A LOW PROFILE SMT		
1 PLC ± -		APPLICATION SPEC	-		
2 PLC ± 0.13		WEIGHT	SIZE A2	CAGE CODE 00779	DRAWING NO. C=1437575-1
3 PLC ± -		MATERIAL	RESTRICTED TO		
4 PLC ± -		FINISH	-		
ANGLES ± -		CUSTOMER DRAWING	SCALE 10:1	SHEET 2 OF 2	REV C