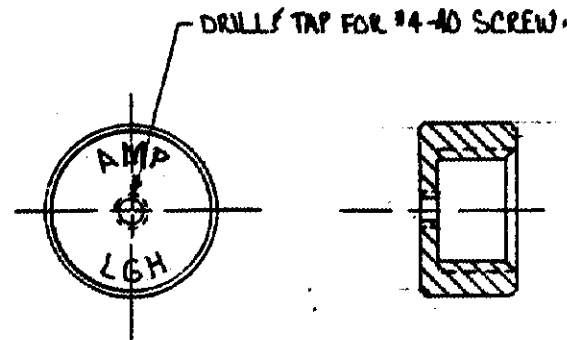
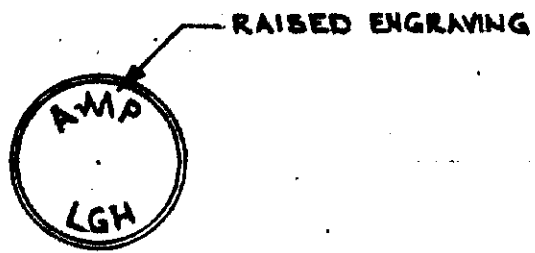
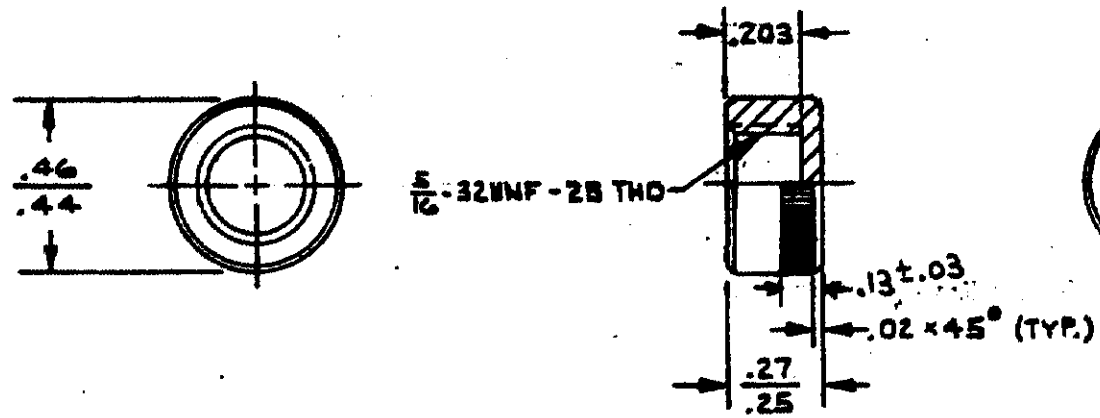


©1972 BY AMP INCORPORATED. ALL RIGHTS RESERVED. AMP PRODUCTS COVERED BY PATENTS AND/OR PATENTS PENDING.

THIS PRODUCT DESIGNED AND BUILT BY AMP INCORPORATED. NO LICENSE TO USE THAT DESIGN IN MANUFACTURE, OR TO USE ANY ISSUED OR PENDING PATENTS WHICH ARE INVOLVED, IS IMPLIED.

Unpublished copy not to be reproduced without written permission of AMP Incorporated.

REVISIONS						
1	F	ZONE	LTR	DESCRIPTION	DATE	APPROVED
	✓		A	ADDED -2	RW 9/6/83	gwm
			B	OBSOLETE -2 ECN 53629	11-2-86	R. S. W.
	✓		C	REV PER ECN OF 6587	3-22-93	KJK



OBSOLETE 850512-2 SAME AS -1 EXCEPT: DRILLS TAP FOR #4-40 SCREW

850512-1 ONLY

QTY REQD	QTY REQD	ITEM NO.	DWG SIZE	PART OR IDENTIFYING NO.	NOMENCLATURE OR DESCRIPTION	SYMBOL
-2	-1					

UNLESS OTHERWISE SPECIFIED: DIMENSIONS ARE IN INCHES TOLERANCES .00 = ±.03 ANGLES ±1° .000 = ±.010				CONTRACT NO. OR <i>L. Leit 4-10-72</i>		AMP AMP INCORPORATED CAPITRON DIVISION ELIZABETHTOWN, PENNSYLVANIA	
MATERIAL: MOLDED GLASS EPOXY				CHK		NAME LGH-1/2" x 1/2" L CAP (DUST COVER)	
FINISH: GREEN				APPR <i>M. J. Harris</i>		NUMBER 850512	
NEXT ASSY				DSGN APPD		SCALE 2:1	
FINAL ASSY				OTHER APPD		WT	
NEXT ASSY				APPLICATION		SHEET 1 OF 1	
QTY REQD						REV. C	

CUSTOMER DRAWING

PRINT DIST
DFISO