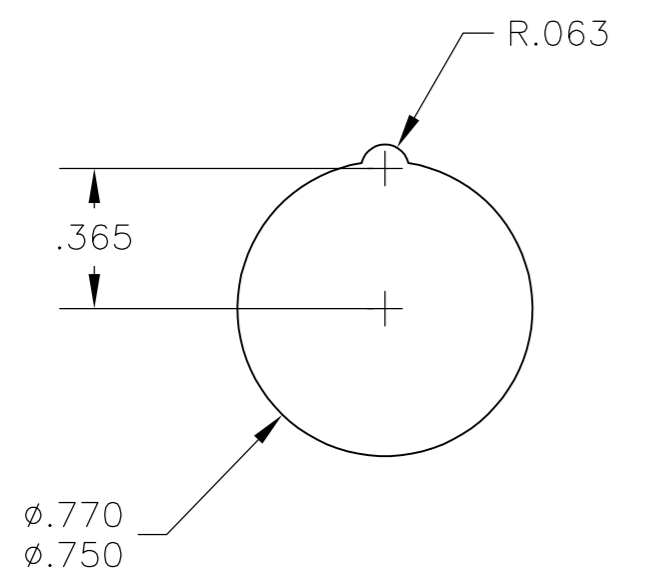
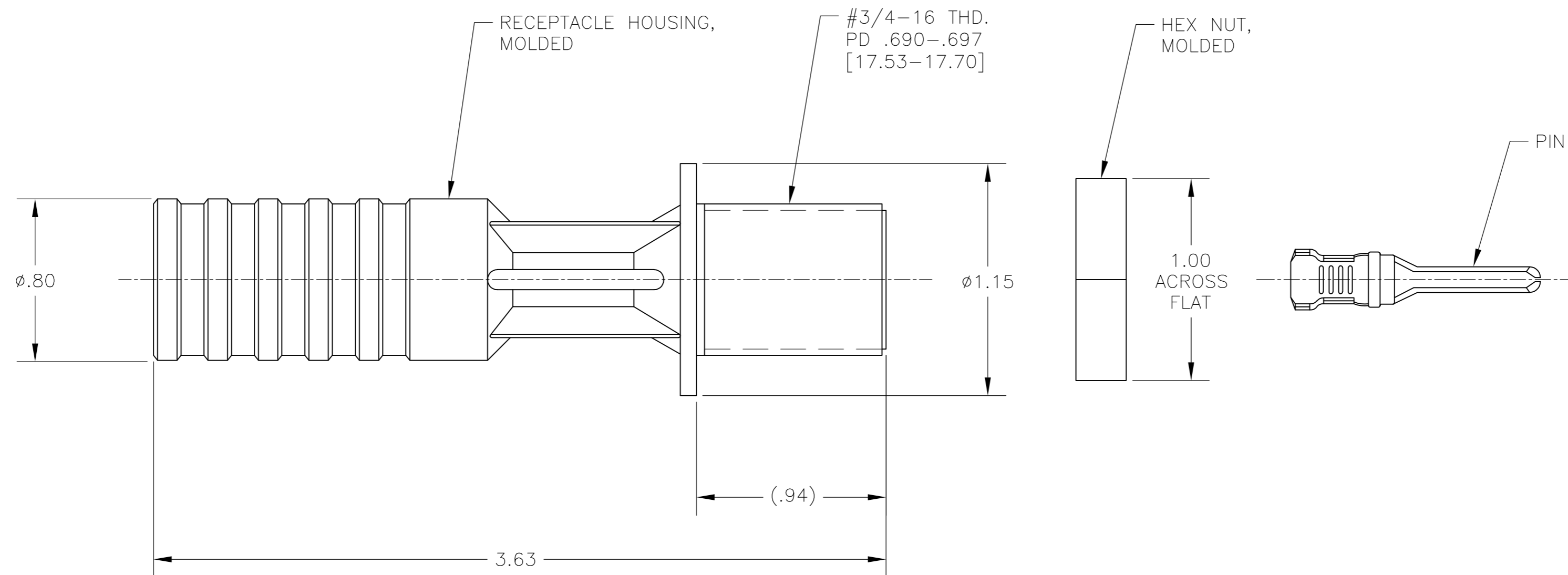


THIS DRAWING IS UNPUBLISHED. RELEASED FOR PUBLICATION
 © COPYRIGHT - By - ALL RIGHTS RESERVED.

REVISIONS				
P	LTR	DESCRIPTION	DATE	APVD
F		REV PER ECO 16-000922	2-16-16	CT DM

1. EXTRACTION TOOL #863558-1.
2. NUT AND PIN CONTACT SUPPLIED WITH KIT UNASSEMBLED.



RECOMMENDED PANEL CUTOUT

90145-2	66261-5	16	5-863350-3
90145-1	66261-5	12-14	5-863350-2
90140-1	66259-5	10	5-863350-1
90145-2	66261-1	16	863350-3
90145-1	66261-1	12-14	863350-2
90140-1	66259-1	10	863350-1
DIE INSERT NO.'S HAND TOOL 69710-1 OR PNEUMATIC TOOL 69365	PIN NO.	WIRE SIZE RANGE (AWG)	PART NO.

THIS DRAWING IS A CONTROLLED DOCUMENT.		DWN J. KAISER 10-20-03	STE TE Connectivity	
		CHK D.EABY 10-20-03		
DIMENSIONS: INCHES		APVD D.EABY 10-20-03	NAME KIT, CSL RECEPTACLE, LGH	
TOLERANCES UNLESS OTHERWISE SPECIFIED:		PRODUCT SPEC	-	
0 PLC ± -		APPLICATION SPEC	-	
1 PLC ± -		WEIGHT 0	SIZE A2	CAGE CODE 00779
2 PLC ± .02		FINISH -	DRAWING NO. C=863350	RESTRICTED TO -
3 PLC ± .005			SCALE 2:1	SHEET 1 of 1
4 PLC ± -			REV F	
ANGLES ± -				
MATERIAL -				
CUSTOMER DRAWING				