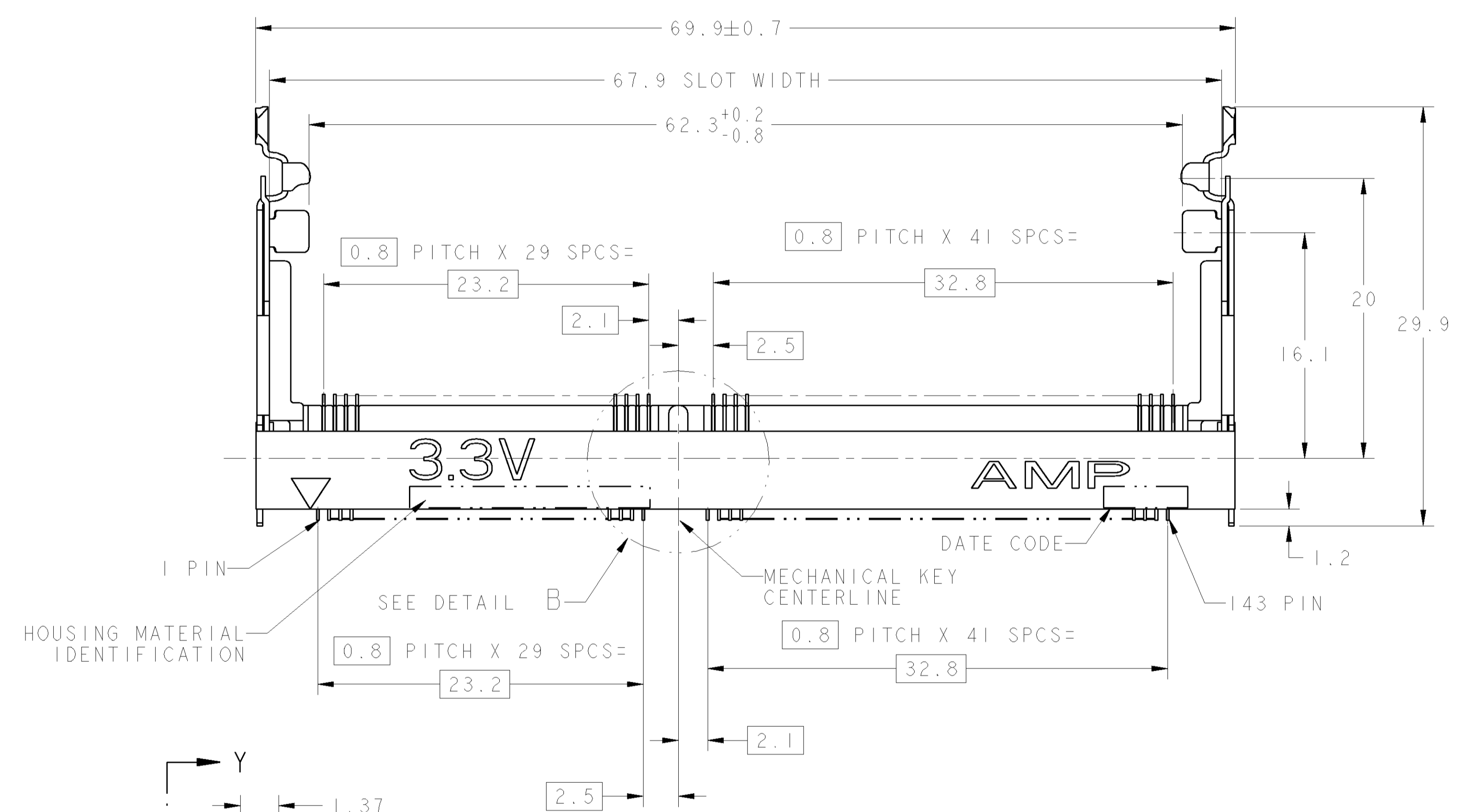
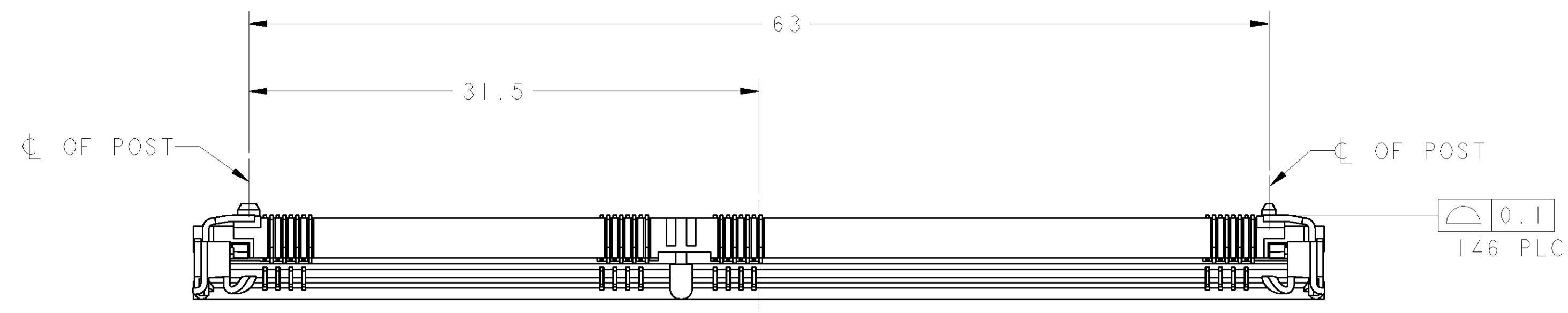
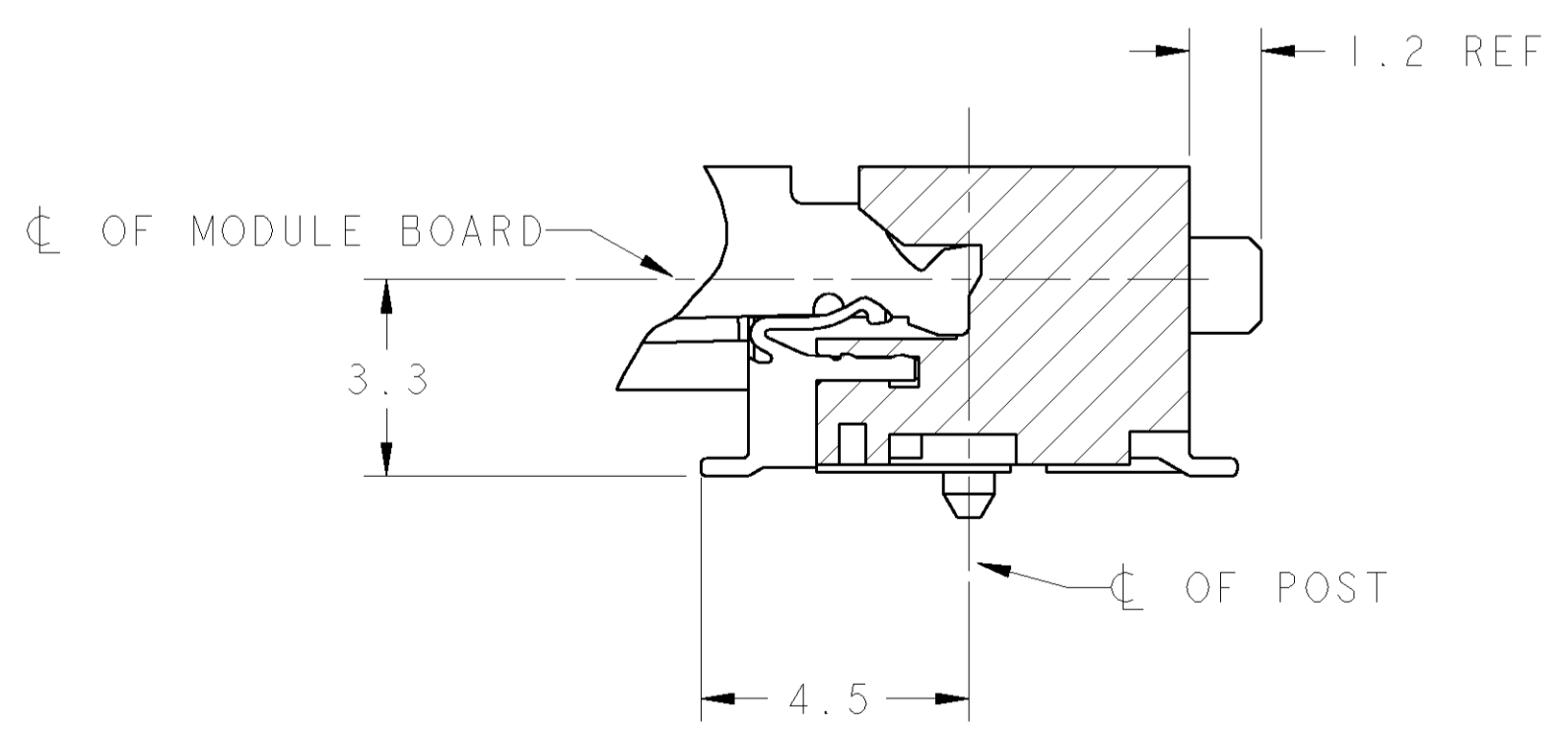
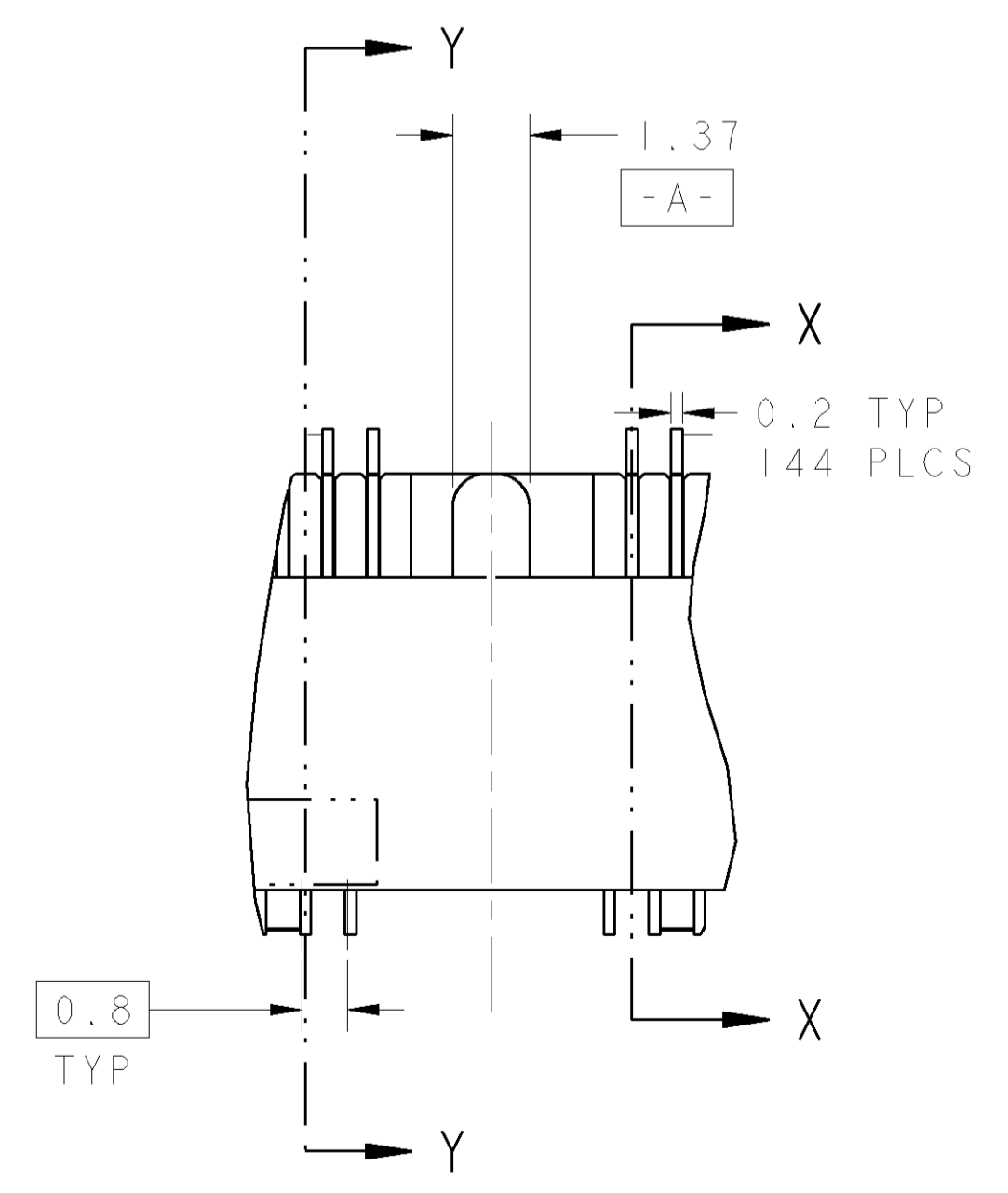
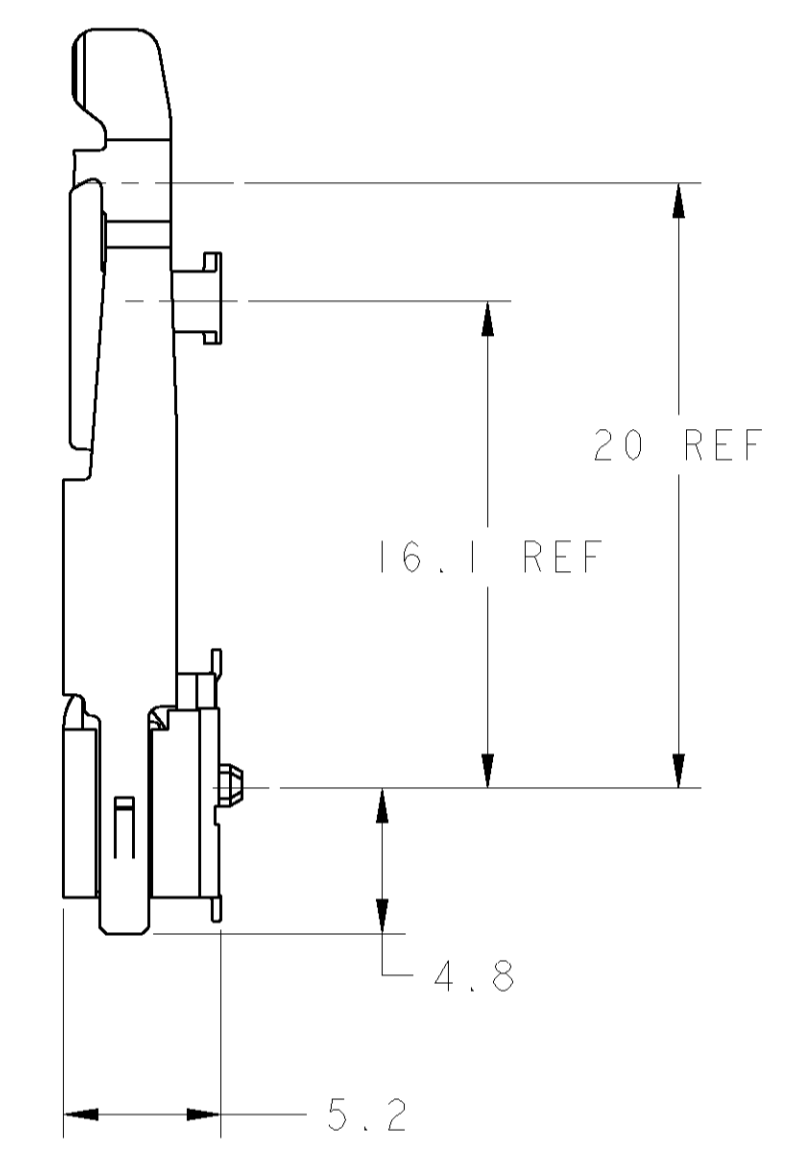


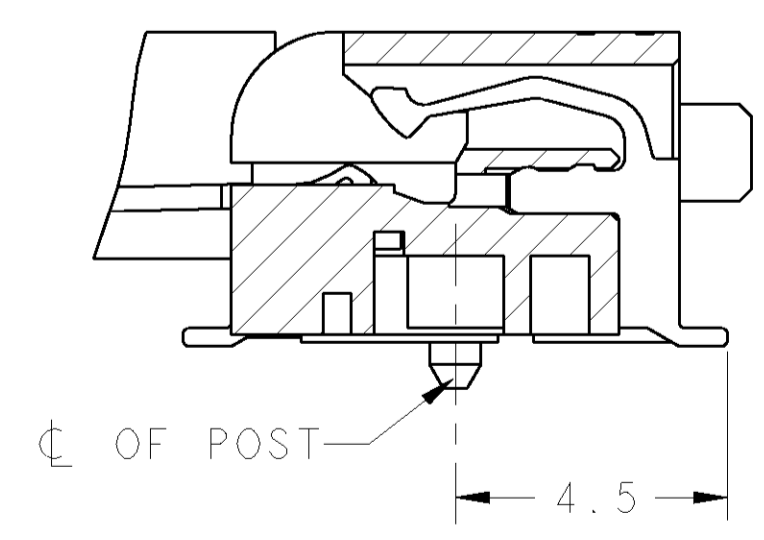
REVISONS		DATE	DNM	APRD
F	LTR			
L	REVISED ECR-05-006242	06JUL05	SYJ	LSF



- 1 MATERIAL, HOUSING, HIGH TEMPERATURE PLASTIC, UL94V-0, NAT. CONTACT: COPPER ALLOY LATCH: SUS301 STAINLESS STEEL PLATING.
- 2 FINISH; CONTACT AREA: 0.00025 MIN GOLD PLATE ON 0.001 MIN ALL OVER NICKEL SOLDERING AREA: 0.00005 MIN TO 0.00030 MAX GOLD PLATE.
- 3 TOLERANCES NON-ACCUMULATIVE.
- 4 PACKAGED 12 PIECES PER HARD TRAY.
- 5 FINISH; CONTACT AREA: 0.00025 MIN GOLD PLATE ON 0.001 MIN ALL OVER NICKEL SOLDERING AREA: BRIGHT TIN LEAD PLATE.
- 6 PART PACKAGED PER EIA-18704 STANDARD. REEL DIAMETER SHALL BE 330mm. TAPE WIDTH SHALL BE 88mm AND TAPE PITCH SHALL BE 36mm.



SECTION X-X  
 ROTATED 90° CCW  
 SCALE 8:1



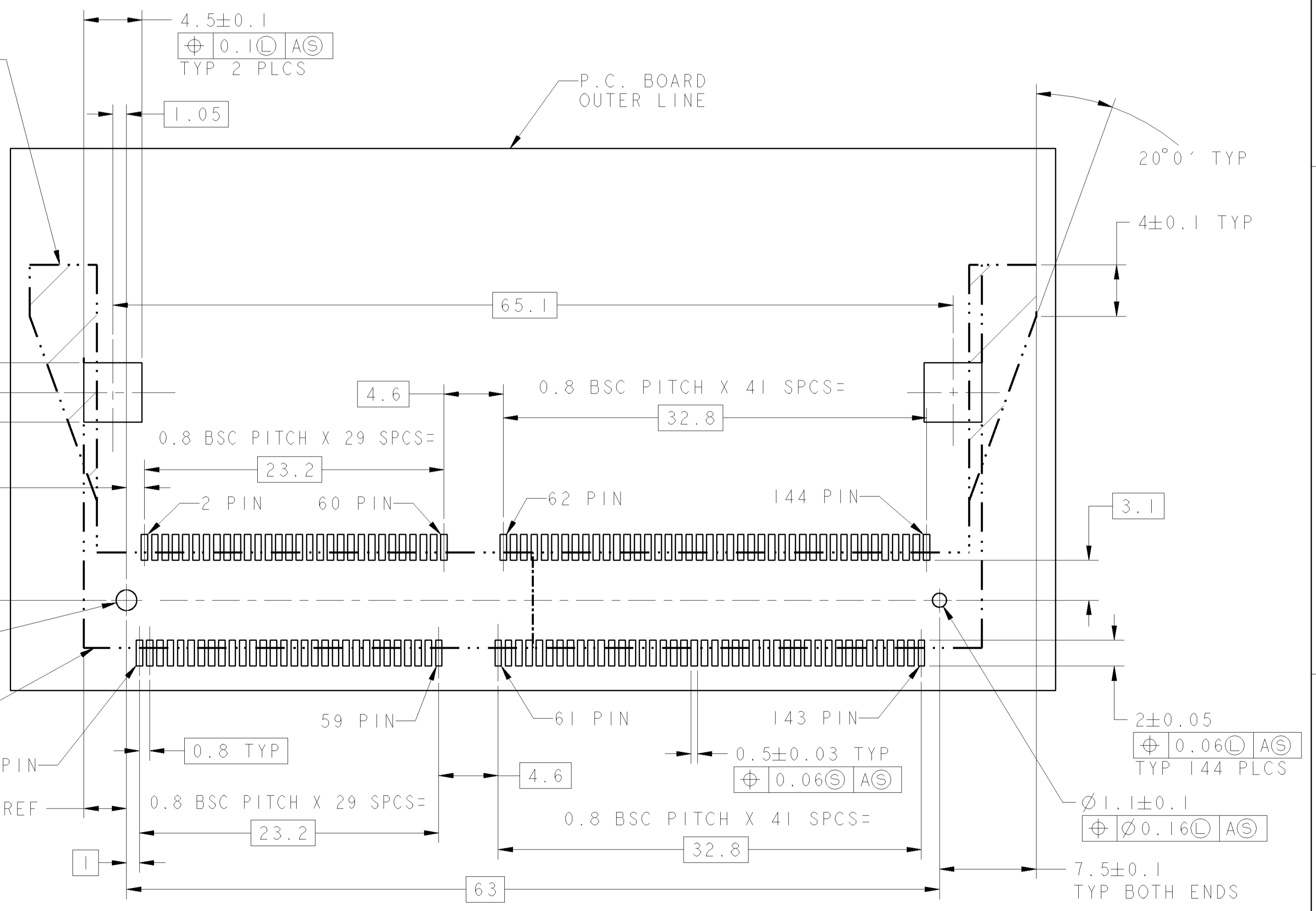
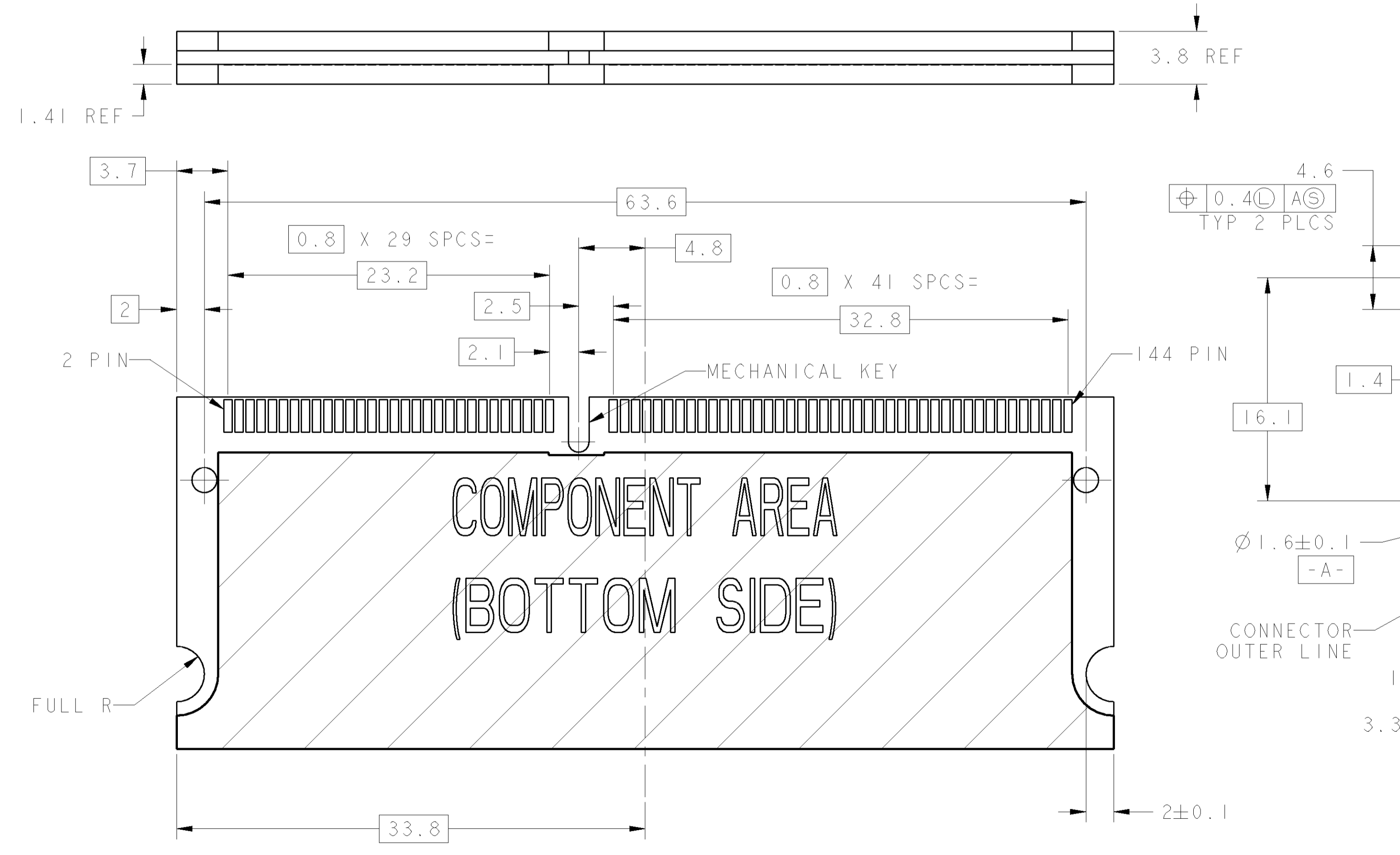
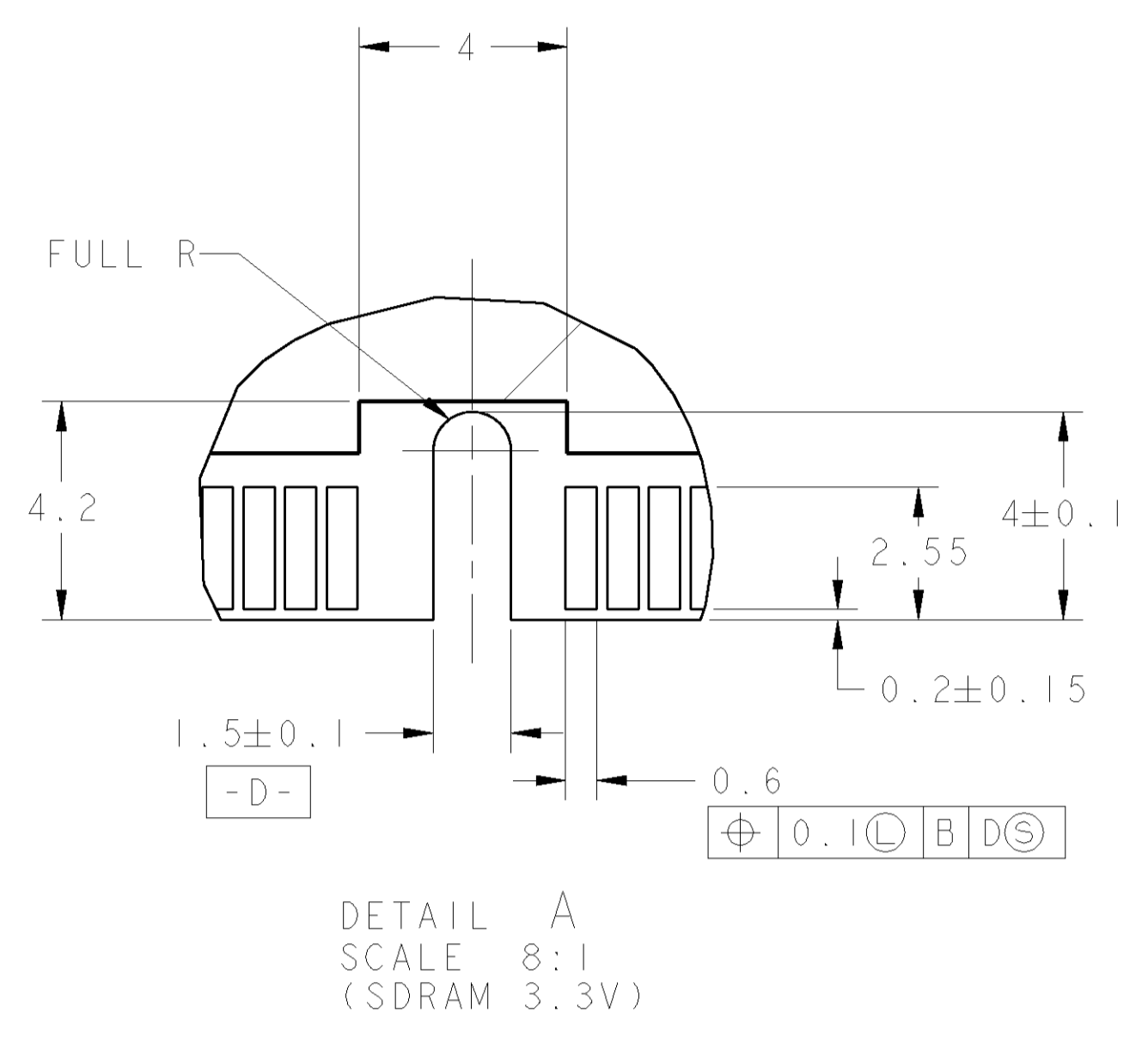
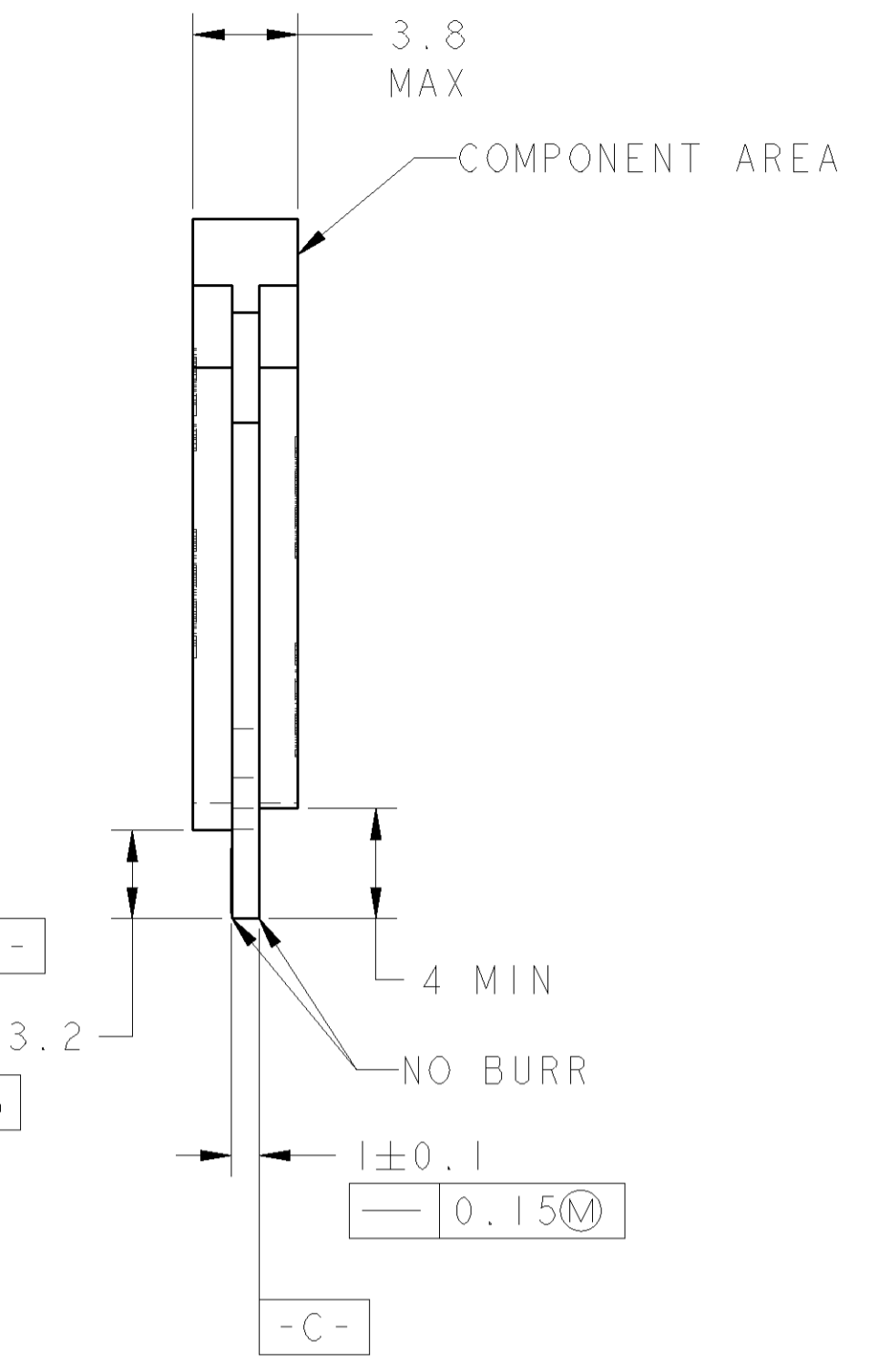
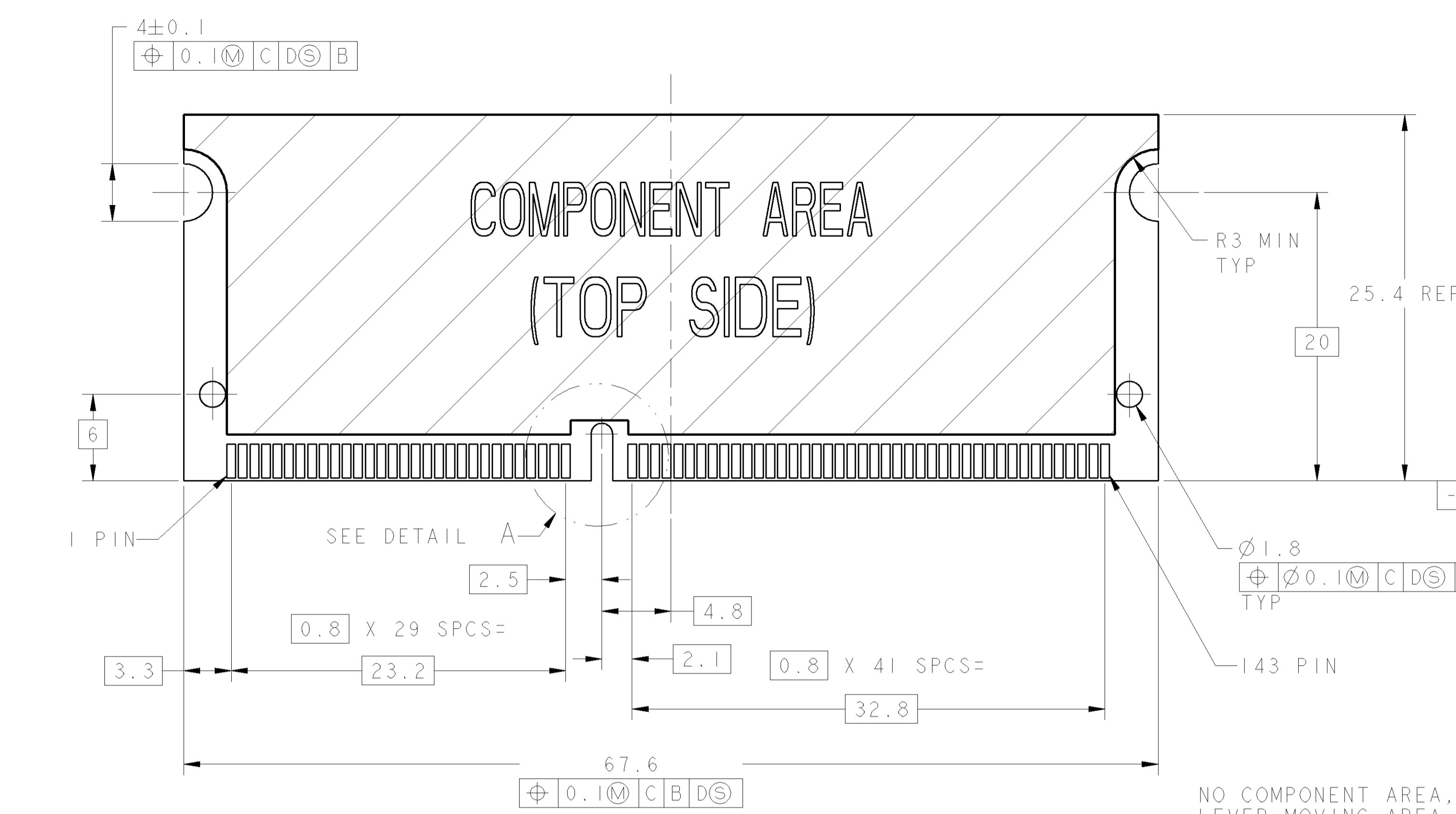
SECTION Y-Y  
 ROTATED 90° CCW  
 SCALE 8:1

SUPERSEDED BY	REMARKS	FINISH	POWER SUPPLY	POS	PART NUMBER
NIL	AVAILABLE	2	DRAM 3.3V	144	6-390113-1 6
3-390113-1	NOT AVAILABLE	5	DRAM 3.3V	144	3-390113-4 4
NIL	AVAILABLE	2	DRAM 3.3V	144	3-390113-1 4
390113-1	NOT AVAILABLE	5	DRAM 3.3V	144	390113-4
NIL	AVAILABLE	2	DRAM 3.3V	144	390113-1

DETAIL B  
 SCALE 8:1

<small>THIS DRAWING IS A CONTROLLED DOCUMENT FOR AMP INCORPORATED. ALL DIMENSIONS AND TOLERANCES ARE THE PROPERTY OF AMP INCORPORATED. NO REPRODUCTION OR DISSEMINATION OF THIS DRAWING IS PERMITTED WITHOUT THE WRITTEN PERMISSION OF AMP INCORPORATED.</small>		DWN: W. SORAH 6-20-97 CDR: R. TALLEY 6-20-97 APD: SE LEONG	AMP MANUFACTURING (SINGAPORE) PTE. LTD.
DIMENSIONS: mm 	TOLERANCES UNLESS OTHERWISE SPECIFIED: 0 PLC ±0.2 1 PLC ±0.2 2 PLC ±0.2 3 PLC ±0.2 4 PLC ±0.2 ANGLES ±°	NAME: 3.0 DIMM SOCKET, 0.8mm PITCH, 3.3V, 144 POSITION, STD PROFILE FOR SDRAM TYPE MODULE PRODUCT SPEC: - APPLICATION SPEC: - WEIGHT: - CUSTOMER DRAWING	SCALE: 4:1 SHEET: 1 OF 2 REV: L

LOC	DIST	REV	DATE	BY	CHKD	APPRD
1						
2						
3						
4						
5						
6						
7						
8						



RECOMMENDED P.C. BOARD PATTERN LAYOUT (CONNECTOR MOUNTING SIDE)

<small>THIS DRAWING IS A CONTROLLED DOCUMENT FOR AMP INCORPORATED. ALL DIMENSIONS ARE IN MILLIMETERS UNLESS OTHERWISE SPECIFIED. ORGANIZATION SHOULD BE CONTACTED FOR THE LATEST REVISION.</small>		DWN: W. SORAH 6-20-97 CHK: R. TALLEY 6-20-97 APD: SE LEONG PRODUCT SPEC APPLICATION SPEC SIZE: 3.0 CAGE CODE: 00779 DRAWING NO: 390113 CUSTOMER DRAWING	<b>AMP</b> AMP MANUFACTURING (SINGAPORE) PTE. LTD. NAME: S.O. DIMM SOCKET, 0.8mm PITCH, 3.3V, 144 POSITION, STD PROFILE FOR SDRAM TYPE MODULE SCALE: 4:1 SHEET: 2 OF 2 REV: L
DIMENSIONS: mm TOLERANCES UNLESS OTHERWISE SPECIFIED: 0 PLC ±0.2 1 PLC ±0.2 2 PLC ±0.2 3 PLC ±0.2 4 PLC ±0.2 ANGLES: ±0.5 MATERIAL: SEE TABLE FINISH: SEE TABLE	WEIGHT: - RESTRICTED TO: -		