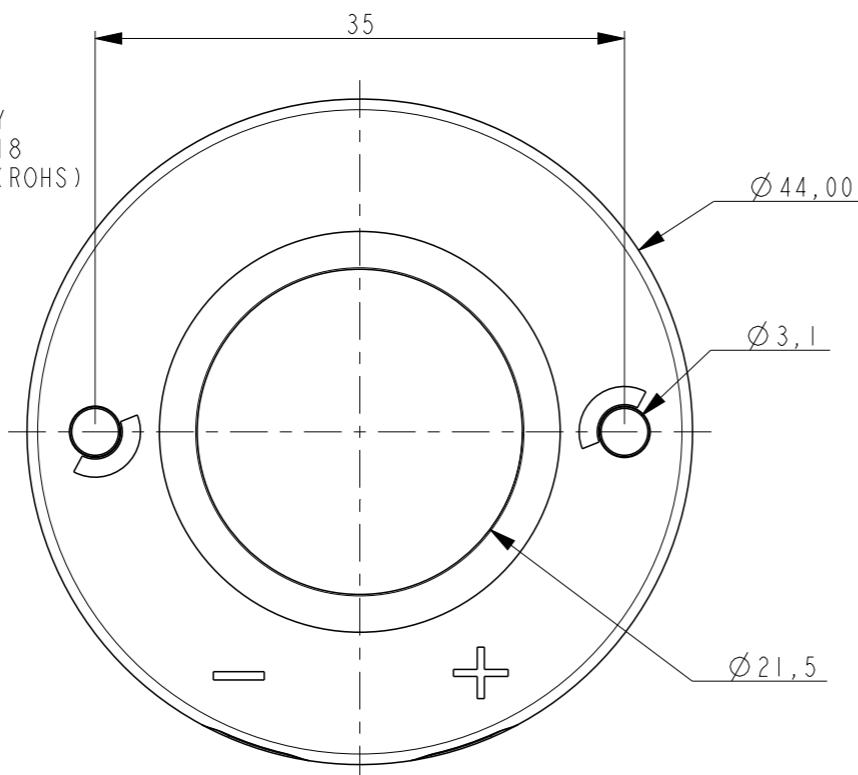


REVISIONS

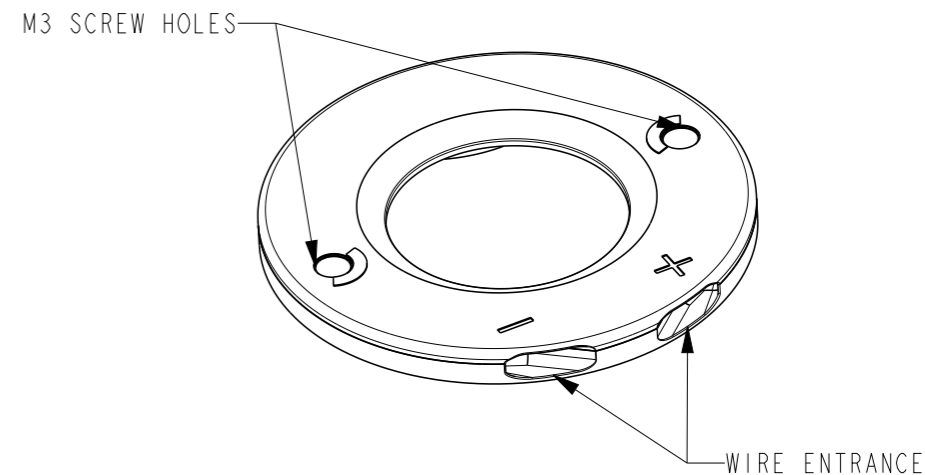
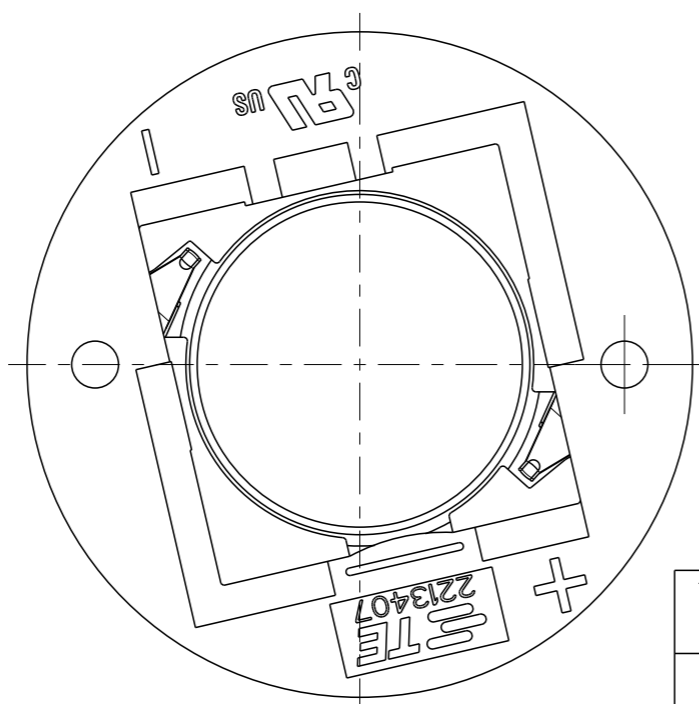
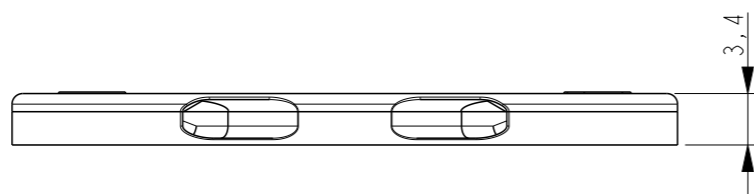
| P | LTR | DESCRIPTION | DATE | DWN | APVD |
|---|-----|----------------------------|-----------|-----|------|
| | A | RELEASED PER ECR-14-006473 | 01MAY2014 | AB | OL |
| | A1 | UPDATED PER ECR-14-006733 | 07MAY2014 | AB | OL |
| | | | | | |
| | | | | | |

NOTES:

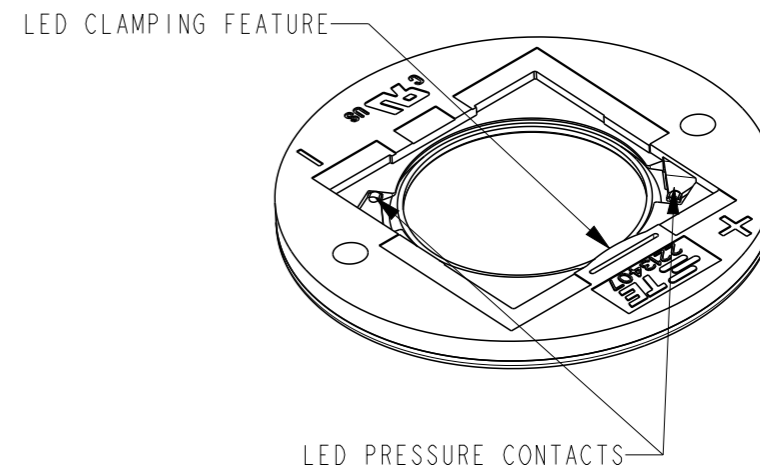
1. MATERIALS:
HOUSING: GLASS FILLED PBT
COLOR : NATURAL/WHITE
CONTACTS: SILVER PLATED COPPER ALLOY
2. FOR SOLID AND STRANDED WIRE AWG 22-18
3. COMPLIES WITH DIRECTIVE 2002/95/EC (ROHS)
4. M3 SCREW TO BE USED FOR MOUNTING



2213407-1 AS SHOWN
LUMAWISE LED HOLDER Z50 LOW PROFILE



SCALE 3:2



| LUMAWISE LED HOLDER Z50 STANDARD PROFILE 2424 | 2213407-2 |
|---|-----------|
| LUMAWISE LED HOLDER Z50 LOW PROFILE 2424 | 2213407-1 |
| DESCRIPTION | PART NO |

THIS DRAWING IS A CONTROLLED DOCUMENT.

| DIMENSIONS: | TOLERANCES UNLESS OTHERWISE SPECIFIED: |
|-------------|--|
| mm | |
| | 0 PLC ±- |
| | 1 PLC ±- |
| | 2 PLC ±- |
| | 3 PLC ±- |
| | 4 PLC ±- |
| | ANGLES ±- |
| MATERIAL | FINISH |
| - | - |
| - | - |

| | | |
|------------------|------------|-----------|
| DWN | P. POORTER | 18NOV2013 |
| CHK | O. LEIJNSE | 19NOV2013 |
| APVD | O. LEIJNSE | - |
| PRODUCT SPEC | 108-133008 | |
| APPLICATION SPEC | 114-32048 | |
| WEIGHT | - | |
| CUSTOMER DRAWING | | |

STE TE Connectivity

LUMAWISE LED HOLDER Z50 2424

| | | | |
|------|-----------|------------|---------------|
| SIZE | CAGE CODE | DRAWING NO | RESTRICTED TO |
| A3 | - | C-2213407 | - |

SCALE 2:1 SHEET 1 OF 3 REV A1

THIS DRAWING IS UNPUBLISHED.

RELEASED FOR PUBLICATION

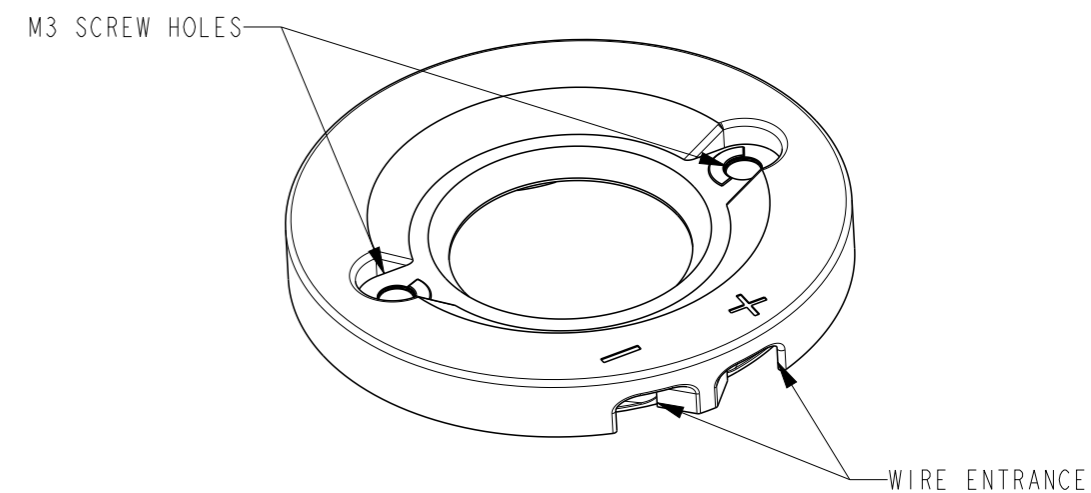
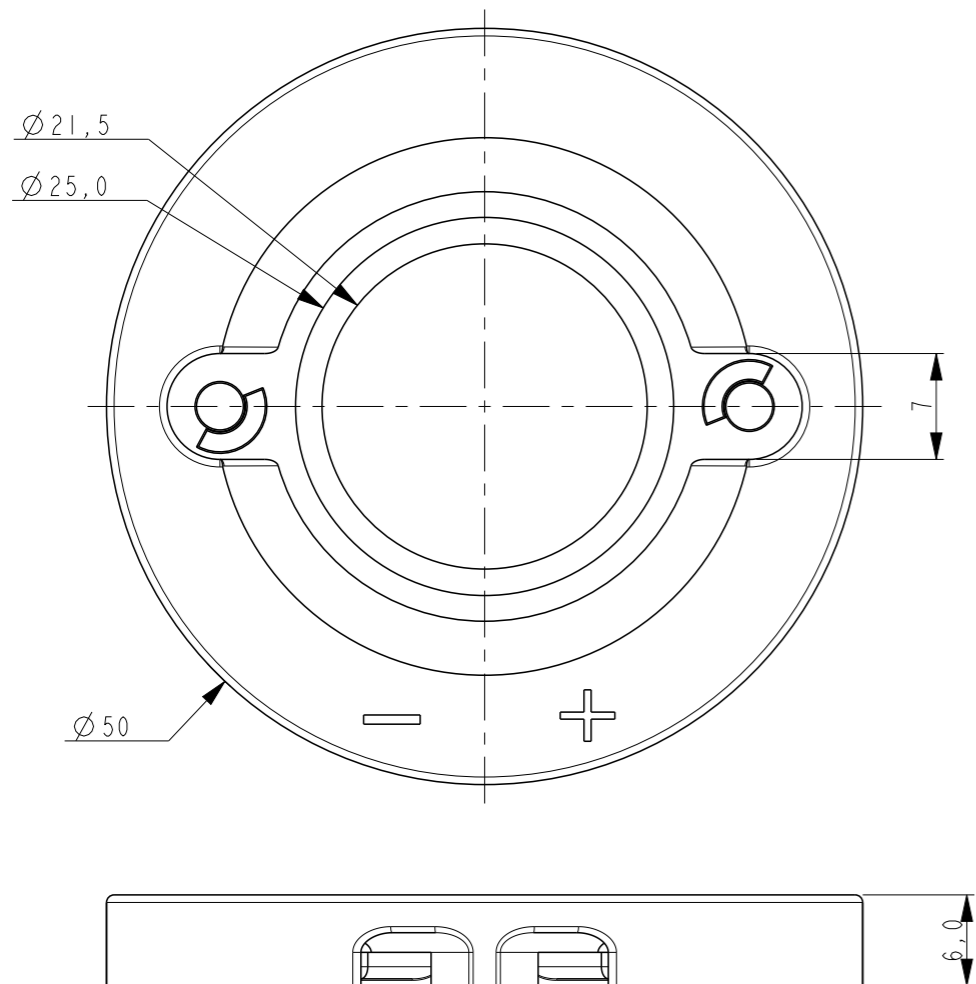
20

© COPYRIGHT 20 BY -

ALL RIGHTS RESERVED.

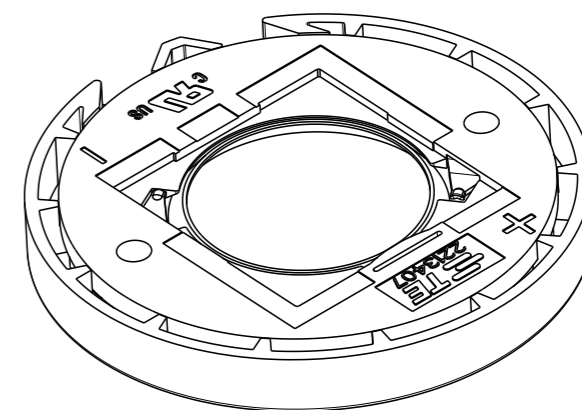
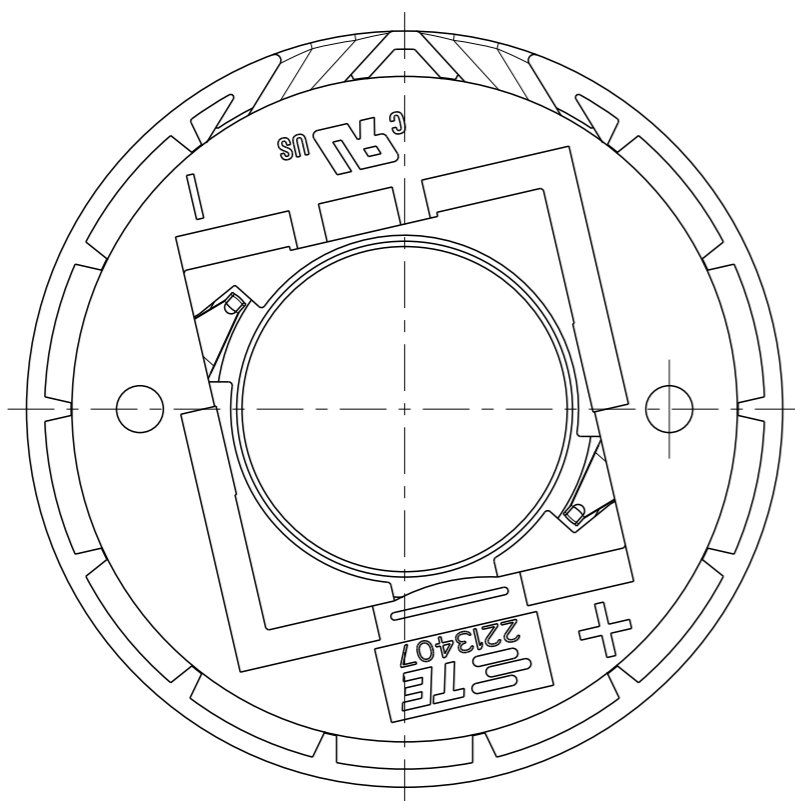
REVISIONS

| P | LTR | DESCRIPTION | DATE | DWN | APVD |
|---|-----|-------------|------|-----|------|
| - | - | SEE SHEET 1 | - | - | - |
| | | | | | |
| | | | | | |



2213407-2 AS SHOWN
LUMAWISE LED HOLDER Z50 STANDARD PROFILE

SCALE 3:2



THIS DRAWING IS A CONTROLLED DOCUMENT.

DWN P. POORTER 18NOV2013

CHK O. LEIJNSE 19NOV2013

APVD O. LEIJNSE

PRODUCT SPEC

108-133008

APPLICATION SPEC

114-32048

WEIGHT -

CUSTOMER DRAWING

TE TE Connectivity

LUMAWISE LED HOLDER Z50 2424

| | | | |
|------|-----------|------------|---------------|
| SIZE | CAGE CODE | DRAWING NO | RESTRICTED TO |
|------|-----------|------------|---------------|

| | | | |
|----|---|-----------|---|
| A3 | - | ©-2213407 | - |
|----|---|-----------|---|

| | | | |
|-------|-------|----|-----|
| SCALE | SHEET | OF | REV |
|-------|-------|----|-----|

| | | | |
|-----|---|---|----|
| 2:1 | 2 | 3 | A1 |
|-----|---|---|----|

| DIMENSIONS: | TOLERANCES UNLESS OTHERWISE SPECIFIED: |
|-------------|--|
| mm | |
| | 0 PLC ±- |
| | 1 PLC ±- |
| | 2 PLC ±- |
| | 3 PLC ±- |
| | 4 PLC ±- |
| | ANGLES ±- |
| MATERIAL | FINISH |
| - | - |
| - | - |

4

3

2

1

THIS DRAWING IS UNPUBLISHED.

RELEASED FOR PUBLICATION

20

© COPYRIGHT 20

BY -

ALL RIGHTS RESERVED.

REVISIONS

| P | LTR | DESCRIPTION | DATE | DWN | APVD |
|---|-----|-------------|------|-----|------|
| | - | SEE SHEET 1 | - | - | - |
| | | | | | |
| | | | | | |
| | | | | | |

THE SKETCH BELOW IS SHOWING THE NOMINAL LED COB DIMENSIONS TO MATCH WITH THE Z50 LED HOLDER 2424 FOR TECHNICAL DETAILS ABOUT A PROPER MATCH WITH A SPECIFIC LED COB ARRAY PLEASE CONTACT A REPRESENTATIVE AT TE-CONNECTIVITY

SCALE 4:1

THIS DRAWING IS A CONTROLLED DOCUMENT.

DWN P. POORTER 18NOV2013

CHK O. LEIJNSE 19NOV2013

APVD O. LEIJNSE -

PRODUCT SPEC

108-133008

APPLICATION SPEC

114-32048

WEIGHT -

CUSTOMER DRAWING

TE Connectivity

NAME LUMAWISE LED HOLDER Z50 2424

| SIZE | CAGE CODE | DRAWING NO | RESTRICTED TO |
|------|-----------|------------|---------------|
| A3 | - | C=2213407 | - |

| SCALE | SHEET | OF | REV |
|-------|-------|----|-----|
| 2:1 | 3 | 3 | A1 |

DIMENSIONS:

mm

TOLERANCES UNLESS OTHERWISE SPECIFIED:

| | |
|--------|----|
| 0 PLC | ±- |
| 1 PLC | ±- |
| 2 PLC | ±- |
| 3 PLC | ±- |
| 4 PLC | ±- |
| ANGLES | ±- |

MATERIAL

-

FINISH

-

1470-19 (3/13)