

Specification

Part No.	:	OMB.915.B08F21
Description	:	Barracuda - 915MHz 8dBi Omni Antenna Outdoor Antenna
Features	:	Omni-Directional Radiation Pattern Collinear 8dBi Peak Gain Robust Design for all Weather operation IP65 Waterproof Length: 1.474m Weight:870g Connector: N-type Female Wall/Pole Mount Bracket Included RoHS compliant



1. Introduction

The OMB.915.B08F21 is a fiberglass omni-directional outdoor antenna, operating in 915 MHz ISM band. The antenna has an 8dBi high peak gain, providing a large coverage area. Typical applications are in ISM, WLAN, RFID, SigFox, Lora and LPWA networks

The OMB.915.B08F21 Operated at 915MHz, with an 8dBi peak gain. The omni-directional antenna collinear dipole design means it radiates uniformly in the azimuth with a high gain, providing coverage over long distances, thus minimizing the number of cells or nodes needed in a network.

The UV resistant fiberglass housing enables the OMB antenna to be utilized in all kinds of harsh environments, making it more robust and safer than traditional whip antennas. It has been designed to withstand high wind load. The integrated aluminum mounting bracket is perfect for directly mounting the antenna onto a pole or a wall.

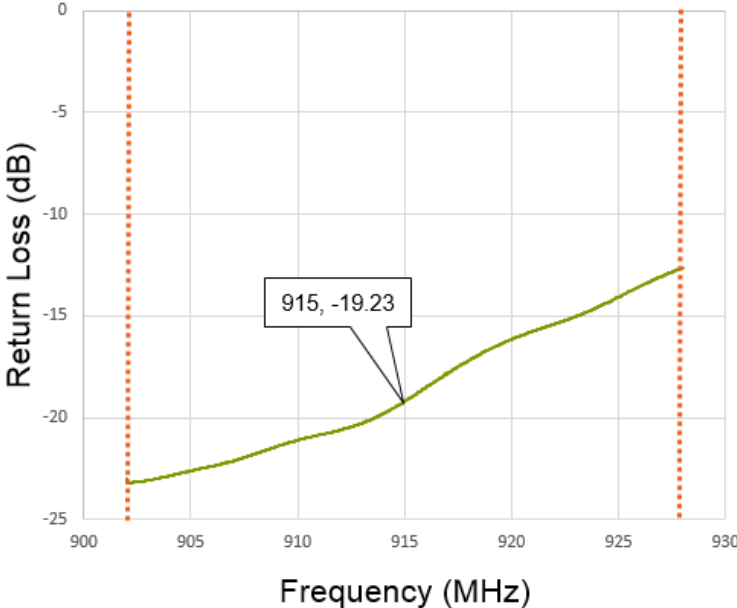
The connector is industry standard N-type female. Connector can be customized subject to MOQ. Other frequencies and gains are available. Contact Taoglas regional sales office for more details.

2. Specification

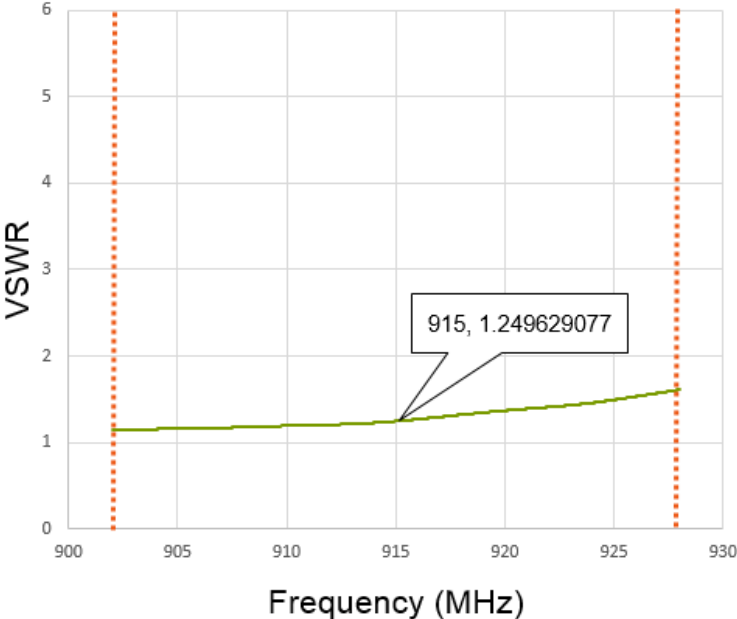
ELECTRICAL	
Standard	ISM 868
Band	902-928 MHz
Antenna Type	Collinear Dipole Array
Peak Gain	8 dBi
Polarization	Vertical
Impedance	50 ohms
Max Input Power	50 watts
VSWR	1.5:1
Radiation	Omni-Directional
Vertical Beam-width	14 Deg
Horizontal Beam-width	360 Deg
Antenna Design	Dipole Array
Internal Material	Copper
Connector	N Type Female
MECHANICAL	
Length	1475±5mm
Bracket Dimension	70*73mm
Antenna Weight	870g
Radome Diameter	24mm
Mounting Accessories	70g
Application	Indoor/Outdoor
Radome Material	White Fiberglass
Base Material	Aluminum
Mount Style	Pole Mount/Wall Mount
Mounting	Stainless Steel
Wind Resistance	>150mph(>241km/h)
Waterproof	IP65
ENVIRONMENTAL	
Storage Temperature	-40°C to +80°C
Operating Temperature	-40°C to +60°C
Operating Humidity	10%~80% non-condensing
Storage Humidity	5%~80% non-condensing

3. Antenna Characteristics

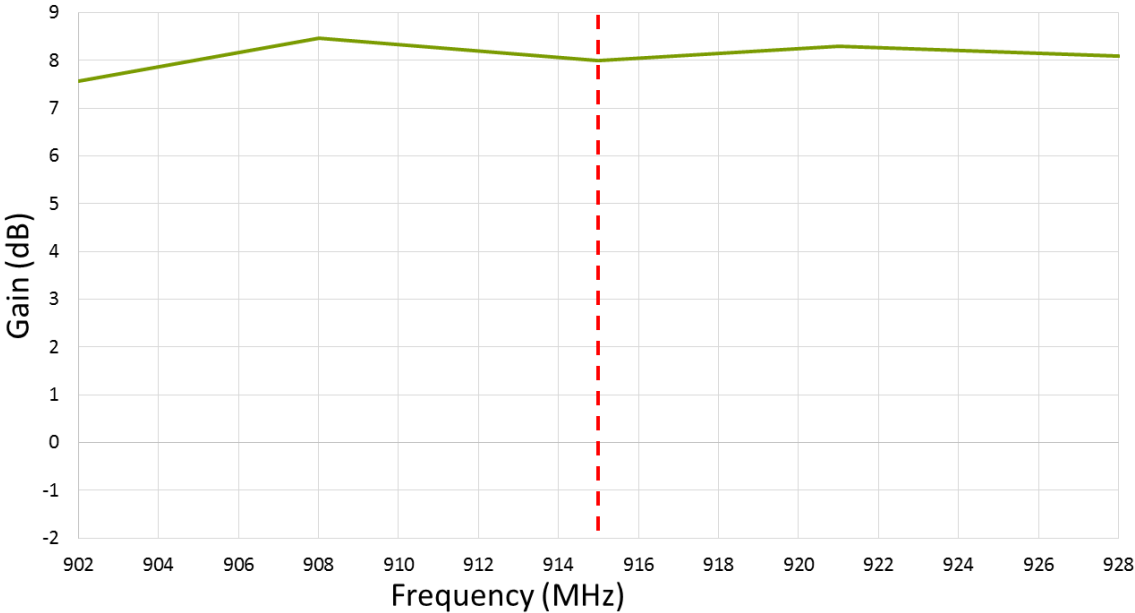
3.1 Return Loss



3.2 VSWR

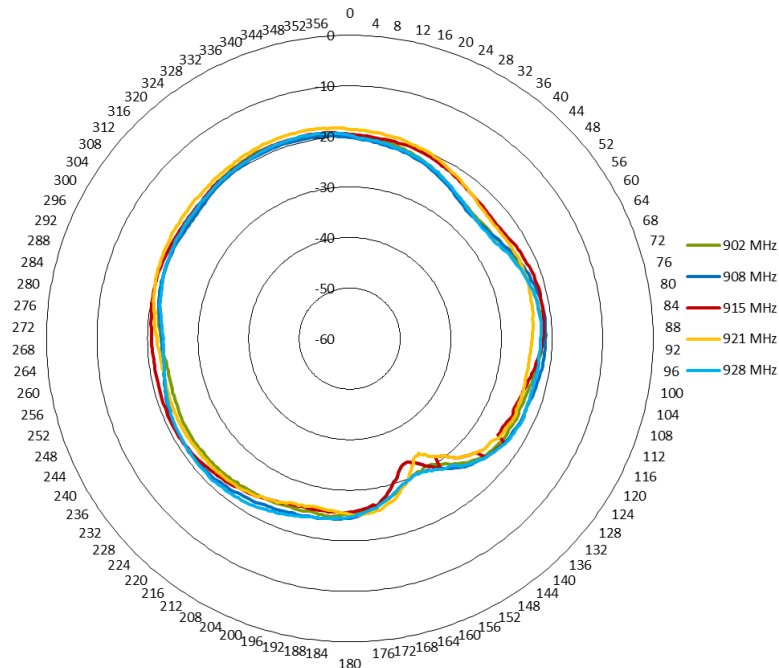


3.3 Peak Gain

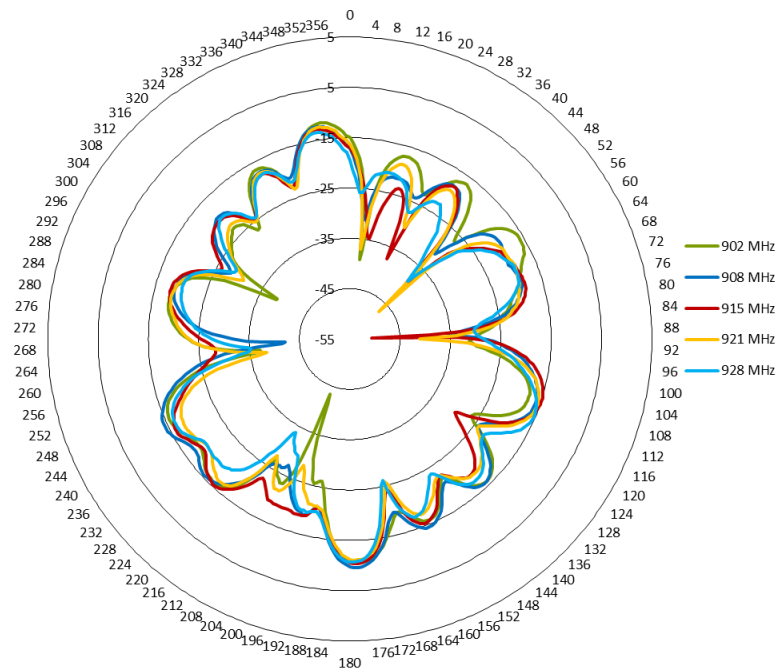


4. 2D Radiation Pattern

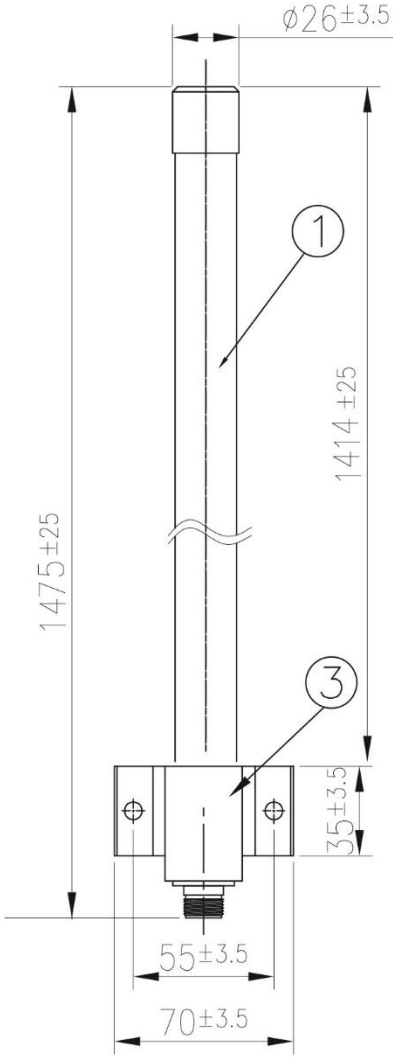
Horizontal Pattern – H plane



Vertical Pattern – E plane



5. Mechanical Drawing (Unit: mm)



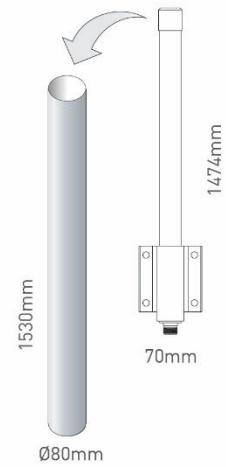
	Name	Material	Finish	QTY
1	OMB.915 Antenna	Fiberglass	White	1
2	Cover	ABS	Silver	1
3	Bracket	Aluminum	Silver	1
4	N Type(F) 1	Brass	Ni Plated	1
5	M6 U Bolt	Stainless Steel	Silver	1
6	M6 Washer 2	Stainless Steel	Silver	2
7	M6 Nut	Stainless Steel	Silver	2



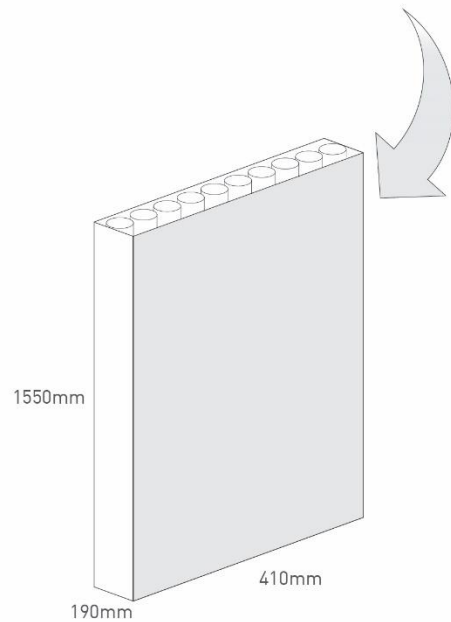
TAOGLAS®

6. Packaging

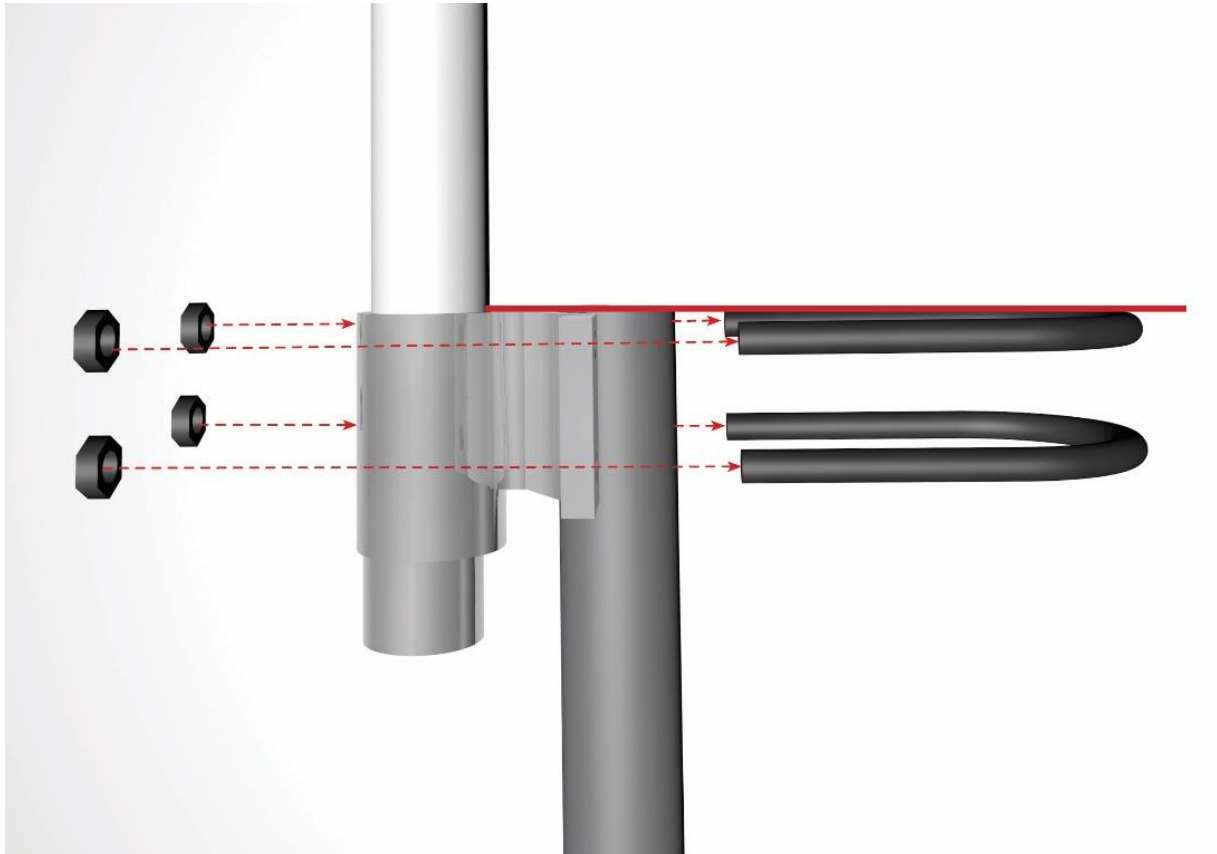
1 OMB.915.B0821 per tube
Tube Dimensions - Ø80mm*Height 1530mm
Total Weight - 1280g



10 tubes per carton
Carton Dimensions - 1550*410*190mm
Weight - 14.48Kg



7. Antenna Installation Guide





Taoglas makes no warranties based on the accuracy or completeness of the contents of this document and reserves the right to make changes to specifications and product descriptions at any time without notice. Taoglas reserves all rights to this document and the information contained herein.

Reproduction, use or disclosure to third parties without express permission is strictly prohibited.

Copyright © Taoglas Ltd.