



Position switch with safety function

EM 95 D 1Ö/1S

Material number: 1050138 (Material number old: 95121001)

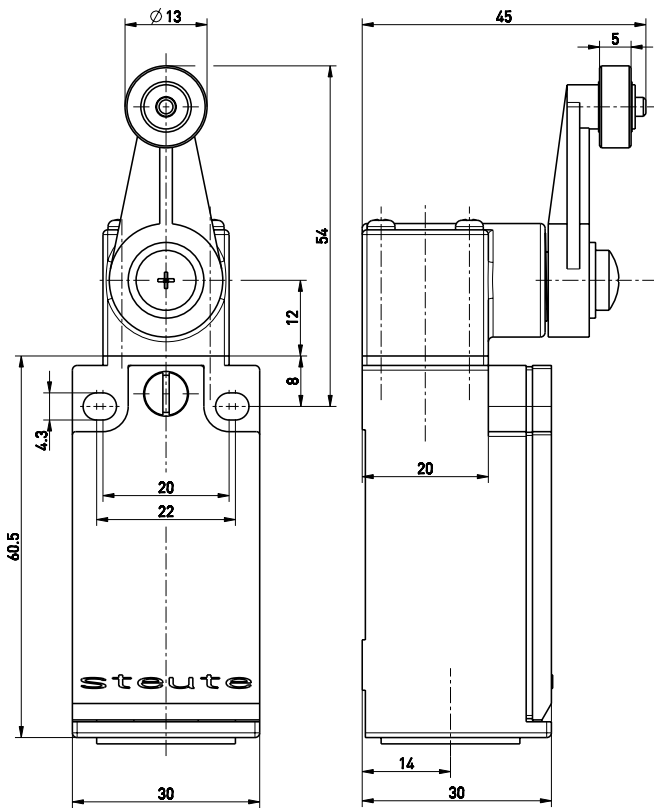
Features/Options:

- Thermoplastic enclosure
- Design to EN 50047
- Horizontally slotted mounting holes
- Double insulated
- Snap action , change-over contact with double break
- Good resistance to oil and petroleum spirit
- Actuator: Rocking lever D
- Lever angle adjustable in 10° steps
- Wear-resistant plastic roller
- Actuator can be repositioned by 4 x 90°

Notes

- With metal roller available on request

Dimensions



Technical data

Applied standards	EN ISO 13849-1; EN 60947-5-1; EN ISO 14119
Enclosure	glass-fibre reinforced, shock-proof thermoplastic, self-extinguishing UL 94 V-0
Tightening torque	enclosure mounting screws: 1.2 ... 1.3 Nm cover screws: max. 0.7 Nm
Switch type	type 1
Coding level	no coding
Degree of protection	IP 67 to IEC/EN 60529
Contact material	silver
Switching system	snap action, positive break NC contacts
Switching elements	1 NC/1 NO contact, type Zb
Connection	screw connection terminals
Cable cross-section	max. 2.5 mm ² (incl. conductor ferrules)
Cable entry	1 x M20 x 1.5
B _{10d} (10 % load)	2 million
T _M	max. 20 years
Rated impulse withstand voltage U _{imp}	4 kV
Rated operating isolation voltage U _i	400 V
Conventional thermal current I _{the}	6 A
Utilisation category	AC-15; DC-13

Errors and omissions excepted.



Position switch with safety function

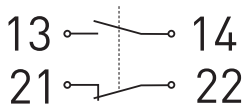
EM 95 D 1Ö/1S

Material number: 1050138 (Material number old: 95121001)

Technical data

Rated operating current/ voltage I_e/U_e	6 A/400 VAC; 0.25 A/230 VDC; 4 A/24 VDC
Short-circuit protection	6 A gG/gN fuse
Mechanical life	> 1 million operations
Operation cycles	max. 1800/h
Ambient temperature	-20 °C ... +80 °C
Contact opening	max. 2 x 3.5 mm
Approvals	
Weight	80 g

Contact diagram



Switching diagram

