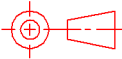
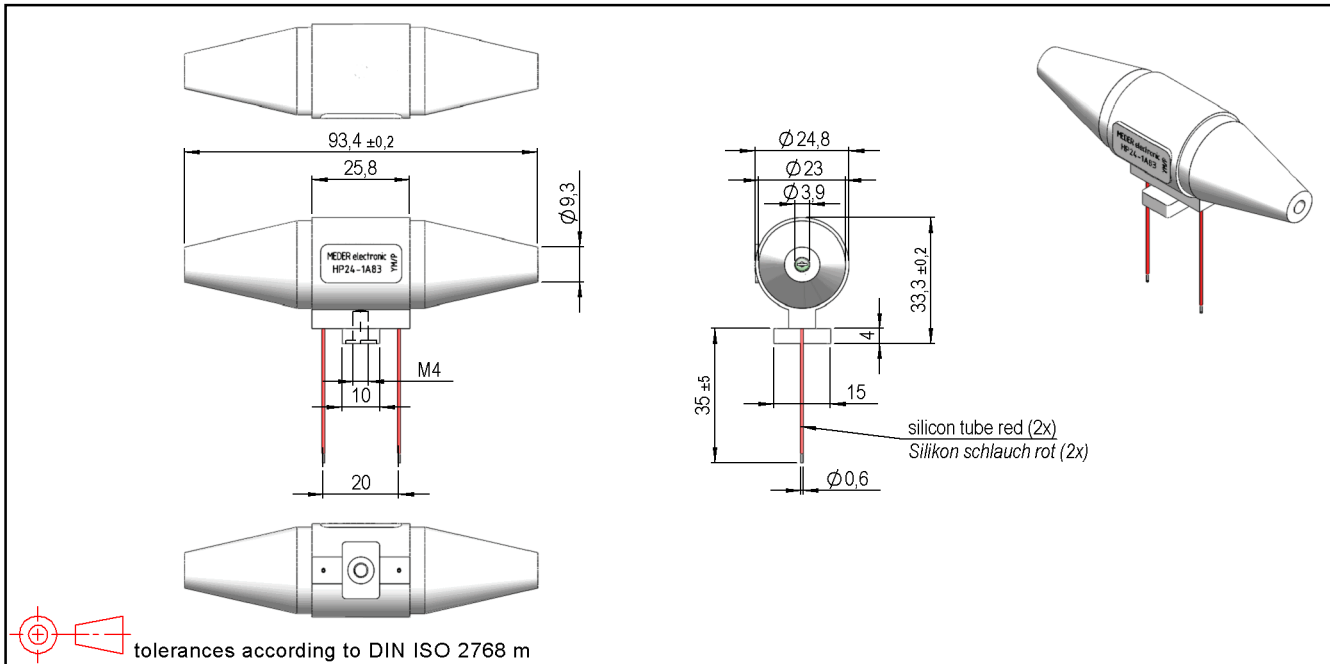


### Preliminary Datasheet



tolerances according to DIN ISO 2768 m

Coil Data at 20 °C	Conditions	Min	Typ	Max	Unit
Coil resistance		1.080	1.200	1.320	Ohm
Coil voltage			24		VDC
Rated power			480		mW
Coil current			20		mA
Thermal resistance	max. Relay temperature = operating temperature + self heating		29		K/W
Inductance			550		mH
Pull-In voltage				18	VDC
Drop-Out voltage		2			VDC

Contact data 83	Conditions	Min	Typ	Max	Unit
Contact rating	Any DC combination of V & A not to exceed their individual max.'s			50	W
Switching voltage	DC or Peak AC			7.500	V
Switching current	DC or Peak AC			3	A
Carry current	DC or Peak AC			5	A
Contact resistance static	Measured with 40% overdrive Start Value			150	mOhm
Insulation resistance	RH <45 %, 100 V test voltage	10			TOhm
Breakdown voltage	according to IEC 255-5	10.000			VDC
Operate time incl. bounce	measured with 40% overdrive			3,2	ms
Release time	measured with no coil excitation			1,5	ms
Capacitance	@ 10 kHz across open switch		0,2		pF

Special Product Data	Conditions	Min	Typ	Max	Unit
Number of contacts			1		
Contact - form			A - NO		
Dielectric Strength Coil/Contact	according to IEC 255-5	20			kV DC
Insulation resistance Coil/Contact	RH <45%, 100 VDC test voltage	100			TOhm
Capacity Coil/Contact	@ 10 kHz		1,1		pF
Case colour			nature		
Housing material			Crastin, SK 645FR, rated 94V-0, 140 °C, E.I. Dupont		
Connection pins			FeNi-alloy tin plated		
Magnetic Shield			no		
Reach / RoHS conformity			yes		

Modifications in the sense of technical progress are reserved

Designed at: 23.06.09 Designed by: WKOVACS  
 Last Change at: 22.12.10 Last Change by: WKOVACS

Approval at: 29.06.09 Approval by: KOLBRICH  
 Approval at: Approval by:

Version: 06



*Products for tomorrow...*

Europe: +49 / 7731 8399 0 | Email: info@meder.com  
USA: +1 / 508 295 0771 | Email: salesusa@meder.com  
Asia: +852 / 2955 1682 | Email: salesasia@meder.com

Item No.:  
**2024100010**  
Item:  
**HP24-1A83**

### Preliminary Datasheet

Environmental data	Conditions	Min	Typ	Max	Unit
Shock	1/2 sine wave duration 11ms			50	g
Vibration	from 10 - 2000 Hz			20	g
Operating temperature		-20		70	°C
Storage temperature		-25		85	°C
Soldering temperature	wave soldering max. 5 sec.			260	°C
Washability		fully sealed			

General data	Conditions	Min	Typ	Max	Unit
Total weight			55		g
Packaging		Styrofoam tray, ESD neutral 50 pcs./each			

Modifications in the sense of technical progress are reserved

Designed at: 23.06.09    Designed by: WKOVACS  
Last Change at: 22.12.10    Last Change by: WKOVACS

Approval at: 29.06.09    Approval by: KOLBRICH  
Approval at:                    Approval by:

Version: 06