



soberton inc.

# WT BUZZER

## Acoustic Product Specification

Product Number: WT-1212



Release | Revision: B/2018

### CONTENTS

This document contains the technical specifications for the magnetic buzzer.

#### Page 1

Specifications

Mechanical Characteristics

#### Page 2

Environment Test

Reliability Test

#### Page 3

Recommended Temperature Profile

Measurement Test Circuit

Inspection Fixture

#### Page 4

Frequency Response Curve

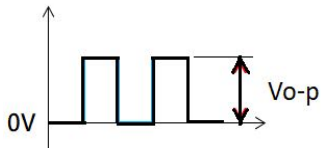
#### Page 5

Dimensions

#### Page 6

Packing

## Specifications

Item	Unit	Specification	Condition
Rated Voltage	Vo-p	12.0	
Operating Voltage	Vo-p	9.0 ~ 15.0	
Mean Current	mA	50 Max.	At rated voltage, 2400 Hz square wave, 1/2 duty
Coil Resistance	Ω	140 ±14	
Sound Output	dB	85	At 10cm at Rated Voltage
Rated Frequency	Hz	2400	
Operating Temp	°C	-30 ~ +70	
Storage Temp	°C	-30 ~ +80	
Dimension	mm	Ø12.0×H9.0	See attached drawing
Weight	gram	2.0	
Material		PBT	
Terminal		Pin type (Plating Sn)	See attached drawing
Environmental Protection Regulation		RoHS	

### Test condition:

Temperature: +25±2 °C Related humidity: 65±5% Air pressure: 86-106KPa

## Mechanical Characteristics

Item	Test condition	Evaluation standard
Solderability	Lead terminals are immersed in rosin for 5 seconds and then immersed in the solder bath at +250±5°C for 3±0.5 seconds.	90% min. lead terminals shall be wet with solder. No interference in operation.
Soldering Heat Resistance	Lead terminals are immersed in the soldering bath at +250±5°C for 2±0.5 seconds.	No damage and cutting off.
Terminal Mechanical Strength	The force of 9.8N is applied to each terminal in axial direction for 10 seconds.	No damage and cutting off.
Vibration	The part shall be subjected to a vibration cycle of 10Hz to 55Hz to 10Hz in a period of 1 minute. Total peak amplitude shall be 1.52mm (9.3G). The vibration test shall consist of 2 hours per axis in each three axes (X,Y,Z). Total 6 hours	After the test, the part shall meet specifications without any damage in appearance and performance except SPL. The SPL should be in ±10dBA compared with initial one.
Drop Test	The part is dropped from a height of 75cm onto a 40mm thick wooden board 3 times in 3 axes (X,Y,Z). A total of 9 times	



soberton inc.

# WT BUZZER

## Acoustic Product Specification

Product Number: WT-1212



Release | Revision: B/2018

### CONTENTS

This document contains the technical specifications for the magnetic buzzer.

#### Page 1

Specifications

Mechanical Characteristics

#### Page 2

Environment Test

Reliability Test

#### Page 3

Recommended Temperature Profile

Measurement Test Circuit

Inspection Fixture

#### Page 4

Frequency Response Curve

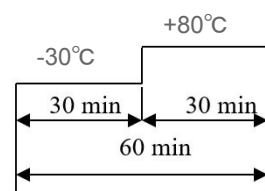
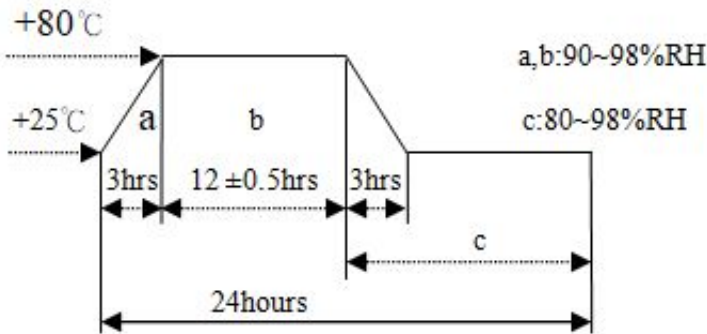
#### Page 5

Dimensions

#### Page 6

Packing

## Environment Test

Item	Test condition	Evaluation standard
High Temp. Test	The part is placed in a chamber at +80°C for 96 hours	After the test, the part shall meet specifications without any degradation in appearance and performance except SPL. After 4 hours at +25°C, the SPL should be in ±10dBA compared with initial one.
Low Temp. Test	The part is placed in a chamber at -30°C for 96 hours	
Thermal Shock	The part shall be subjected to 5 cycles. Each cycle shall consist of: 	
Temp./Humidity Cycle	The part shall be subjected to 10 cycles. One cycle shall be 24 hours and consist of: 	

## Reliability Test

Item	Test condition	Evaluation standard
Operating Life Test	<b>Ordinary Temperature</b> The part shall be subjected to 72 hours of continuous operation at +25°C±10°C at 12.0V, 2400Hz applied.	After the test, the part shall meet specifications without any degradation in appearance and performance except SPL. After 4 hours at +25°C, the SPL should be in ±10dBA compared with initial one.
	<b>High Temperature</b> The part shall be subjected to 72 hours of continuous operation at +70°C at 12.0 V, 2400Hz applied.	
	<b>Low Temperature</b> The part shall be subjected to 72 hours of continuous operation at -30°C at 12.0V, 2400Hz applied.	

### Standard test condition:

- a) Temperature: +5~+35°C
- b) Humidity: 45~85%
- c) Pressure: 86~106KPa



soberton inc.

# WT BUZZER

Acoustic Product Specification

Product Number: WT-1212



Release | Revision: B/2018

### CONTENTS

This document contains the technical specifications for the magnetic buzzer.

#### Page 1

Specifications

Mechanical Characteristics

#### Page 2

Environment Test

Reliability Test

#### Page 3

Recommended Temperature Profile

Measurement Test Circuit

Inspection Fixture

#### Page 4

Frequency Response Curve

#### Page 5

Dimensions

#### Page 6

Packing

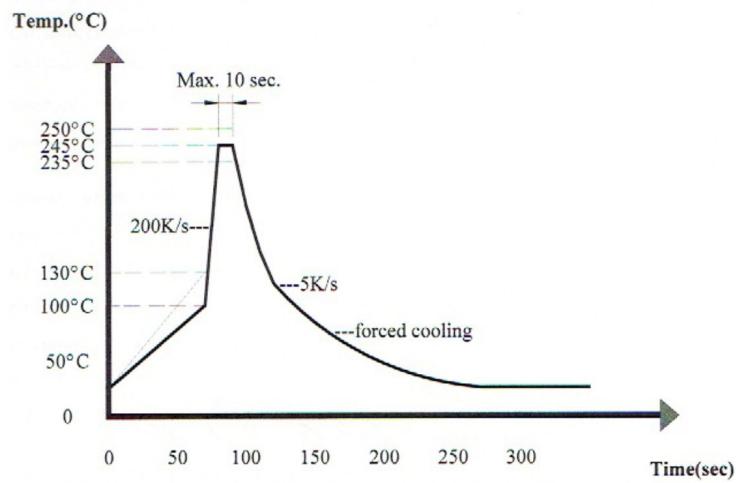
## Recommended Temperature Profile for Reflow Oven

Recommendable wave soldering condition is as follows:

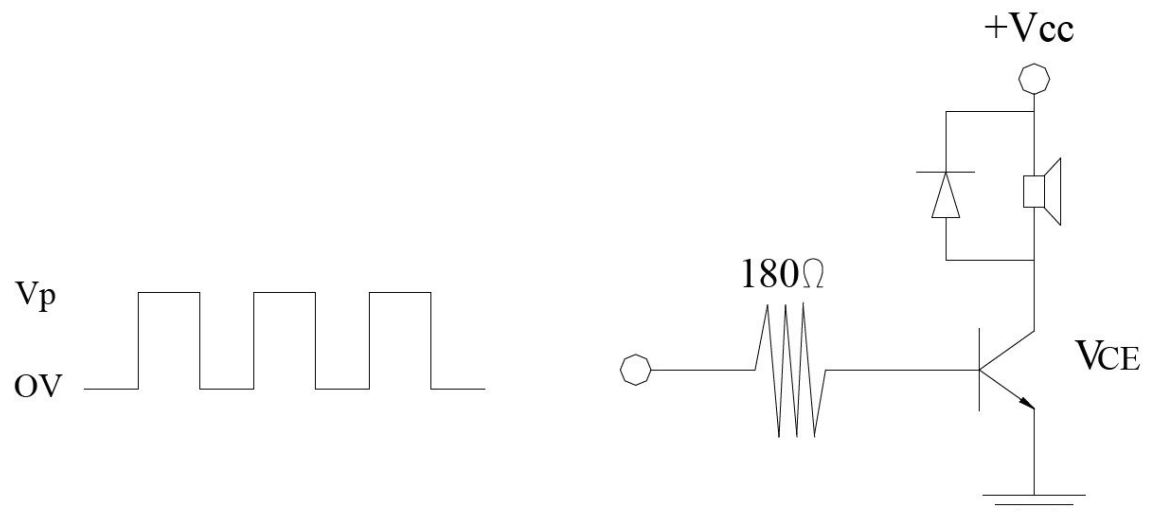
**Note 1:** It is requested that reflow soldering should be executed after heat of product goes down to normal temperature.

**Note 2:** Peak wave temperature of 235°C maximum of 10 seconds.

### \* Wave Soldering profile of lead-free

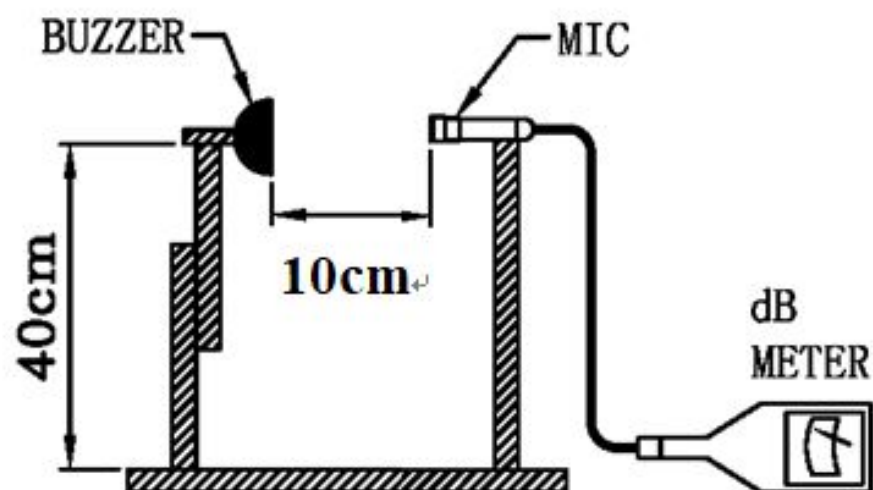


## Measurement Test Circuit



## Inspection Fixture

Input Signal: 12 Vo-p, square wave, 1/2 duty, 2400Hz



Mic: RION S.P.L meter UC30 or equivalent

S.G: Hewlett Packard 33120A Function Generator or equivalent



soberton inc.

## WT BUZZER

Acoustic Product Specification

Product Number: WT-1212



Release | Revision: B/2018

### CONTENTS

This document contains the technical specifications for the magnetic buzzer.

#### Page 1

Specifications

Mechanical Characteristics

#### Page 2

Environment Test

Reliability Test

#### Page 3

Recommended Temperature Profile

Measurement Test Circuit

Inspection Fixture

#### Page 4

Frequency Response Curve

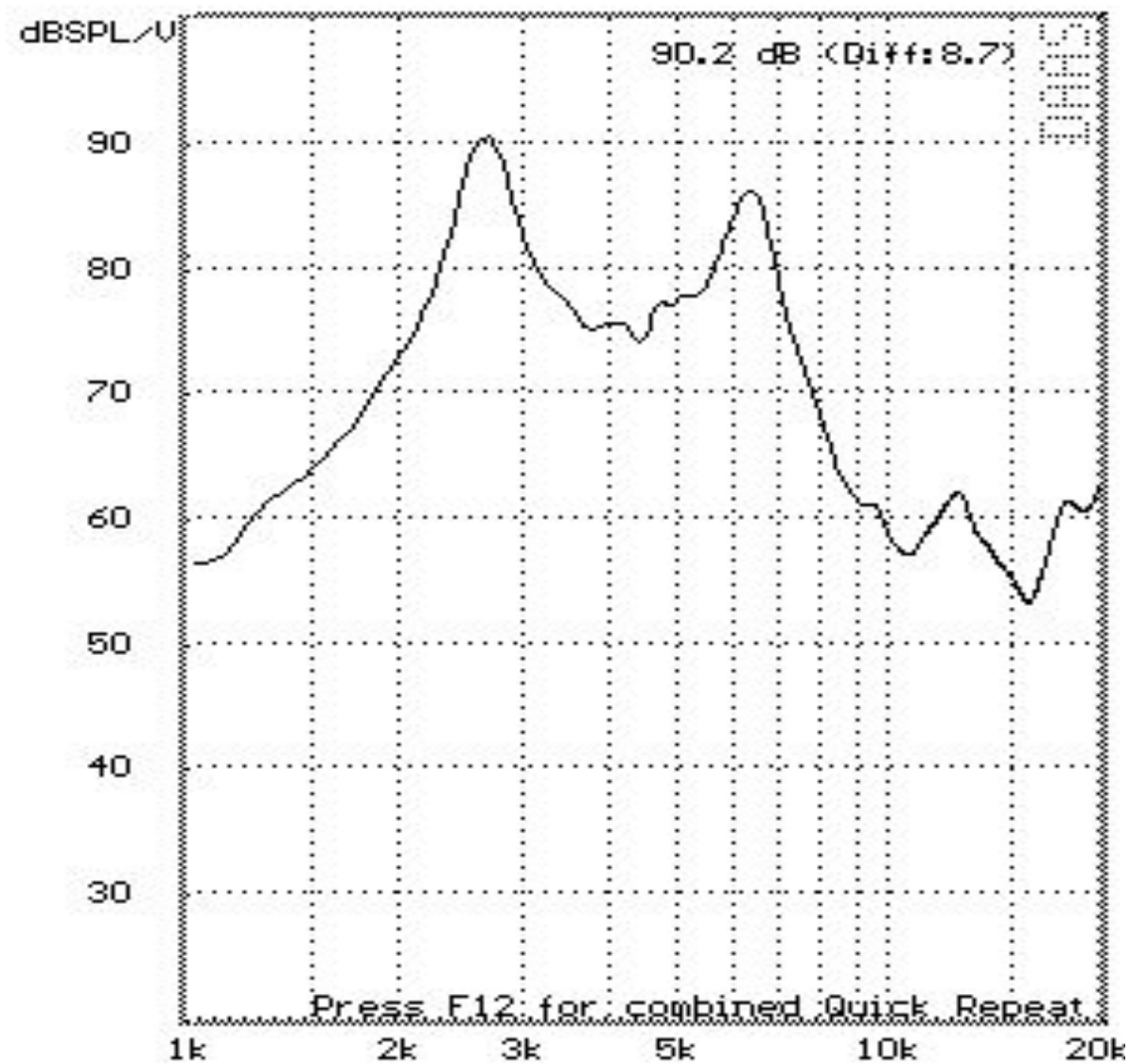
#### Page 5

Dimensions

#### Page 6

Packing

### Typical Frequency Response Curve





soberton inc.

# WT BUZZER

Acoustic Product Specification

Product Number: WT-1212



Release | Revision: B/2018

## CONTENTS

This document contains the technical specifications for the magnetic buzzer.

### Page 1

Specifications

Mechanical Characteristics

### Page 2

Environment Test

Reliability Test

### Page 3

Recommended Temperature Profile

Measurement Test Circuit

Inspection Fixture

### Page 4

Frequency Response Curve

### Page 5

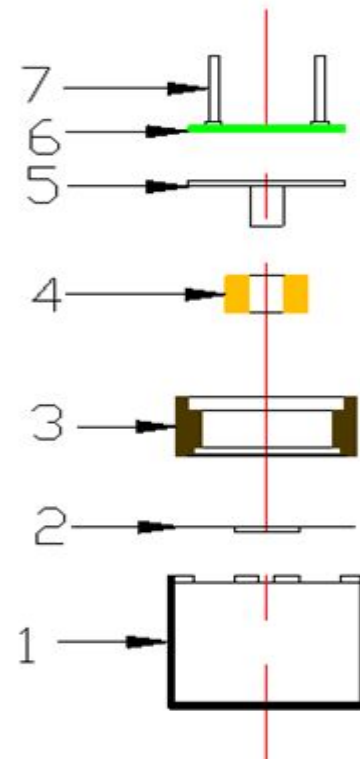
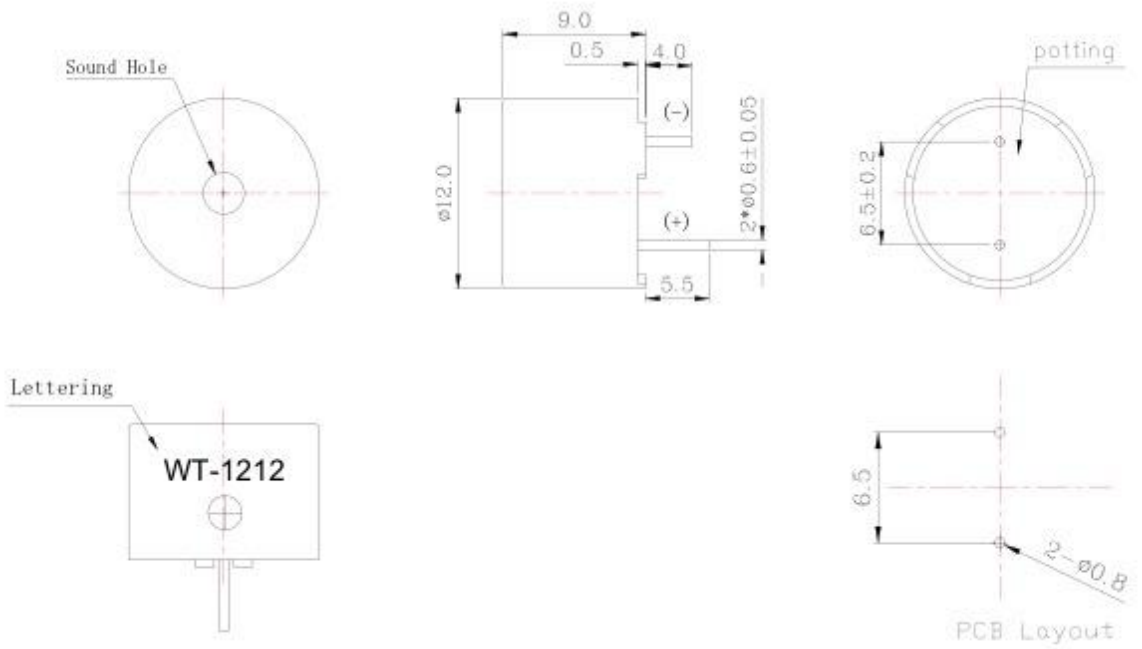
Dimensions

### Page 6

Packing

## Dimensions

Tolerance:  $\pm 0.5$  (unit: mm)



No.	Part Name	Material	Quantity
1	Cover	PBT	1
2	Diaphragm	Iron	1
3	Magnet	Nylon + Iron	1
4	Coil	Copper	1
5	Core	Iron	1
6	PCB	Epoxy Glass Fiber Cloth + Copper	1
7	PIN	Copper	2



soberton inc.

# WT BUZZER

Acoustic Product Specification

Product Number: WT-1212



Release | Revision: B/2018

## CONTENTS

This document contains the technical specifications for the magnetic buzzer.

### Page 1

Specifications

Mechanical Characteristics

### Page 2

Environment Test

Reliability Test

### Page 3

Recommended Temperature Profile

Measurement Test Circuit

Inspection Fixture

### Page 4

Frequency Response Curve

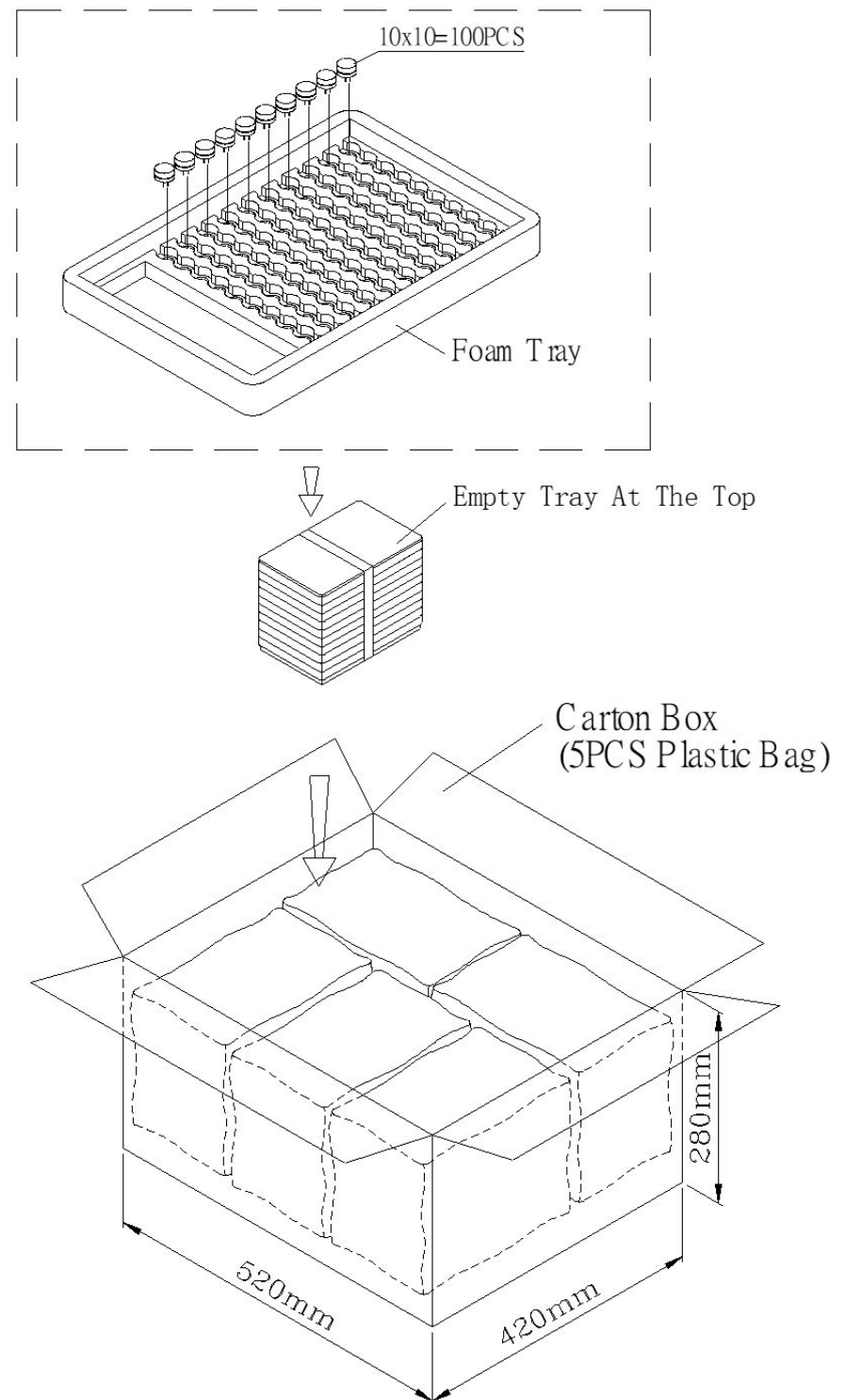
### Page 5

Dimensions

### Page 6

Packing

## Packing



Foam Tray	240m m x 160m m x 30m m	1x100PCS=100PCS
Plastic Bag		10x100PCS=1000PCS
Carton Box	520m m x 420m m x 280m m	5x1000PCS=5,000PCS