

SHARP REFERENCE

SPEC. No. ED-07G020
ISSUE May 25, 2007

OPTO-ANALOG DEVICES DIVISION
ELECTRONIC COMPONENTS GROUP
SHARP CORPORATION

SPECIFICATION

DEVICE SPECIFICATION FOR

OPIC LIGHT DETECTOR

MODEL No.

GA1A1S100WP

Specified for

Enclosed please find copies of the Specifications which consists of 17 pages including cover.
After confirmation of the contents, please be sure to send back copy of the Specifications
with approving signature on each.

CUSTOMER'S APPROVAL

DATE

BY

PRESENTED

DATE

BY

H. N
H. Nakamura,
Department General Manager of
Engineering Dept., III
Opto-Analog Devices Div.
ELECOM Group
SHARP CORPORATION

REFERENCE

Product name : OPIC LIGHT DETECTOR

Model No. : GA1A1S100WP

1. These specification sheets include materials protected under copyright of Sharp Corporation ("Sharp"). Please do not reproduce or cause anyone to reproduce them without Sharp's consent.
2. When using this product, please observe the absolute maximum ratings and the instructions for use outlined in these specification sheets, as well as the precautions mentioned below. Sharp assumes no responsibility for any damage resulting from use of the product which does not comply with the absolute maximum ratings and the instructions included in these specification sheets, and the precautions mentioned below.

(Precautions)

- (1) This product is designed for use in the following application areas ;

(· OA equipment · Audio visual equipment · Home appliances)
 (· Telecommunication equipment (Terminal) · Measuring equipment)
 (· Tooling machines · Computers)

If the use of the product in the above application areas is for equipment listed in paragraphs (2) or (3), please be sure to observe the precautions given in those respective paragraphs.

- (2) Appropriate measures, such as fail-safe design and redundant design considering the safety design of the overall system and equipment, should be taken to ensure reliability and safety when this product is used for equipment which demands high reliability and safety in function and precision, such as ;

(· Transportation control and safety equipment (aircraft, train, automobile etc.))
 (· Traffic signals · Gas leakage sensor breakers · Rescue and security equipment)
 (· Other safety equipment)

- (3) Please do not use this product for equipment which require extremely high reliability and safety in function and precision, such as ;

(· Space equipment · Telecommunication equipment (for trunk lines))
 (· Nuclear power control equipment · Medical equipment)

- (4) Please contact and consult with a Sharp sales representative if there are any questions regarding interpretation of the above three paragraphs.

3. Please contact and consult with a Sharp sales representative for any questions about this product.

REFERENCE

1. Application
This specification applies to the outline and characteristics of Silicon OPIC light detecting device Model No. GA1A1S100WP.
2. Outline
Refer to the attached drawing No. GY13869L02.
Detector portion shape : CY13870L02.
3. Ratings and characteristics
Refer to the attached sheet, page 4.
4. Reliability
Refer to the attached sheet, page 5.
5. Outgoing inspection
Refer to the attached sheet, page 6.
6. Supplement
 - (6-1) Circuit block diagram
Refer to the attached sheet, page 7.
 - (6-2) Packing
Refer to the attached sheet, attachment -2-1 to 2-4.
 - (6-3) This product is not designed against electromagnetic and ionized-particle irradiation.
 - (6-4) This product shall not contain the following materials.
Also, the following materials shall not be used in the production process for this product.
Materials for ODS : CFCs, Halon, Carbon tetrachloride
1,1,1-Trichloroethane (Methyl chloroform)
 - (6-5) This product does not contain specific brominated flame retardants such as the PBB and PBDE .
 - (6-6) Compliance with each regulation
 - 6-6-1 The RoHS directive(2002/95/EC)
This product complies with the RoHS directive(2002/95/EC) .
Object substances: mercury, lead, cadmium, hexavalent chromium, polybrominated biphenyls (PBB)
and polybrominated diphenyl
ethers (PBDE)
 - 6-6-2 Content of six substances specified in Management Methods for Control of Pollution Caused by Electronic Information Products Regulation (Chinese : 电子信息产品污染控制管理办法).

Category	Toxic and hazardous substances					
	Lead (Pb)	Mercury (Hg)	Cadmium (Cd)	Hexavalent chromium (Cr ⁶⁺)	Polybrominated biphenyls (PBB)	Polybrominated diphenyl ethers (PBDE)
OPIC light detecting	✓	✓	✓	✓	✓	✓

✓ : indicates that the content of the toxic and hazardous substance in all the homogeneous materials of the part is below the concentration limit requirement as described in SJ/T 11363-2006 standard .

- (6-7) Product mass (Piece) : Approximately 3.5mg

REFERENCE

7. Notes

(7-1) By-pass capacitors

In order to stabilize power supply line, connect some by-pass capacitors of 0.01 μ F or more between Vcc and GND within 5mm from lead pins.

(7-2) Incident light

This device has three built-in photodiodes and amplifies the differential of the photocurrent which flows through each photodiode.

It is recommended that this device is used under the condition that the light illuminates three photodiodes uniformly.

(7-3) Cleaning conditions :

Solvent cleaning : Solvent temperature : 45°C or less , Immersion time : 3 min or less

Ultrasonic cleaning : The effect to device by ultrasonic cleaning differs by cleaning bath size, ultrasonic power output, cleaning time, PCB size or device mounting condition etc.

Please test it in actual using condition and confirm that doesn't occur any defect before starting the ultrasonic cleaning.

The cleaning shall be carried out with solvent below.

Solvent : Ethyl alcohol, Methyl alcohol, Isopropyl alcohol

(7-4) Soldering

(7-4-1) Solder reflow

Please do two times or less soldering at the temperature and the time within the temperature profile in attached sheet-1.

(7-4-2) Soldering by hand

To solder onto terminals, please solder at 320°C for 3 seconds or less using soldering iron 50W or less.

Please be careful not to give the mechanical force to the package when soldering because it may cause the deformation or defect due to the plated connection.

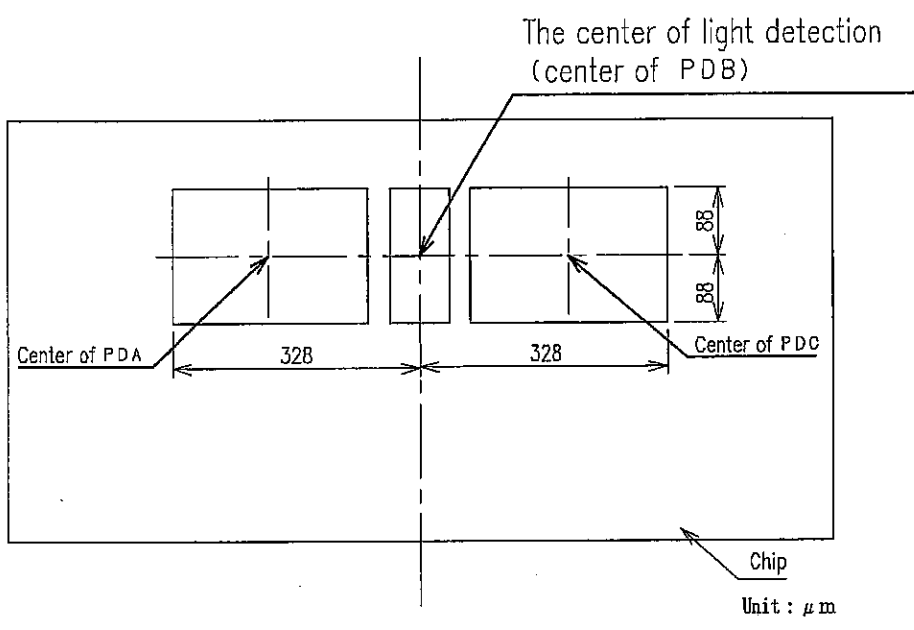
(7-4-3) Case of other soldering

Other soldering methods such as dip soldering and VPS should not be used.

Please use (7-4-1) or (7-4-2).

REFERENCE

SHARP



NAME	GA1A1S100WP Detector portion shape										
DRAWING No.	C	Y	1	3	8	7	0	L	0	2	

REFERENCE

3. Ratings and characteristics

3.1 Absolute maximum ratings

 $T_a = 25^\circ\text{C}$

Parameter	Symbol	Rating	Unit
Supply voltage	V_{cc}	-0.3 to +7.0	V
Output current	I_o	10	mA
Power dissipation	P	70	mW
Operating temperature	T_{opr}	-40 to +85	$^\circ\text{C}$
Storage temperature	T_{stg}	-40 to +85	$^\circ\text{C}$
Soldering temperature*	T_{sol}	250	$^\circ\text{C}$

* Within 10s and two times (MAX) according to the attached reflow profile

3.2 Recommended operating conditions

Parameter	Symbol	Condition	MIN.	MAX.	Unit
Supply voltage	V_{cc}	-	2.7	3.6	V
Output voltage*1	V_{out}	$E_v = 10$ to 1000 lx	0	$V_{cc} - 1.0$	V
		$E_v = 1000$ to 5000 lx	0	$V_{cc} - 1.4$	V
Dynamic range	E_v	-	10	5000	lx

3.3 Electro-optical characteristics

 $T_a = 25^\circ\text{C}, V_{cc} = 3.0\text{V}$

Parameter	Symbol	Condition	MIN.	TYP.	MAX.	Unit
Supply current *1	I_{cc}	$E_v = 1000$ lx	0.96	1.46	2.02	mA
Output current 1 *1	I_{o1}	$E_v = 1000$ lx	0.94	1.42	1.96	mA
Output current 2 *1	I_{o2}	$E_v = 100$ lx	94	142	196	μA
Output current 3 *1	I_{o3}	$E_v = 10$ lx	9.4	14.2	19.6	μA
Output current 4	I_{o4}	$E_v = 0$ lx	-	-	1	μA
Output current temperature coefficient *2	-	$E_v = 1000$ lx $T_a = -20$ to 60°C	-10	-	+10	%
Peak sensitivity	λ_p	-	-	555	-	nm
Response time *2 Rise, Fall (10% to 90%)	tr1, tf1	$E_v = 10$ to 100 lx $R_L = 1\text{k}\Omega$	-	-	10	ms
	tr2, tf2	$E_v = 100$ to 1000 lx $R_L = 100\Omega$	-	-	2	ms
	tr3, tf3	$E_v = 1000$ to 5000 lx $R_L = 100\Omega$	-	-	500	μs

*1: E_v : Illuminance by CIE standard light source A (tungsten lamp)

*2: White LED is used.

REFERENCE

4. Reliability

The reliability of products shall satisfy items listed below.

Confidence level : 90%

LTPD : 10 or 20

Test Items	Test Conditions	Failure Judgment Criteria	Samples (n)
			Defective(C)
Temperature cycling	1 cycle -40°C → +85°C (30min) (30min) 20 cycles test	$I_{cc} < L \times 0.8$ $I_{cc} > U \times 1.2$ $I_{o1} < L \times 0.8$ $I_{o1} > U \times 1.2$ $I_{o2} < L \times 0.8$ $I_{o2} > U \times 1.2$ U: Upper specification limit L: Lower specification limit	n=22, C=0
High temp. and high humidity storage	+60°C, 90%RH, 500h		n=22, C=0
High temp. storage	+85°C, 500h		n=22, C=0
Low temp. storage	-40°C, 500h		n=22, C=0
Operation test	$V_{CC}=3.6V$, $T_a=25^\circ C$, $E_v=3000$ lx 500h		n=22, C=0
Mechanical shock	1000m/s ² , 6ms, Half sine wave 3 times/±X, ±Y, ±Z direction		n=11, C=0
Variable frequency vibration	100 to 2000 to 100Hz/Sweep for 4min 200m/s ² , 48min/X, Y, Z direction		n=11, C=0
Soldering heat	250°C, 10 s, 2 times The temperature profile is according to the precautions for soldering (attachment-1).		n=11, C=0

REFERENCE

5. Outgoing inspection

(1) Inspection lot

Inspection shall be carried out per each delivery lot.

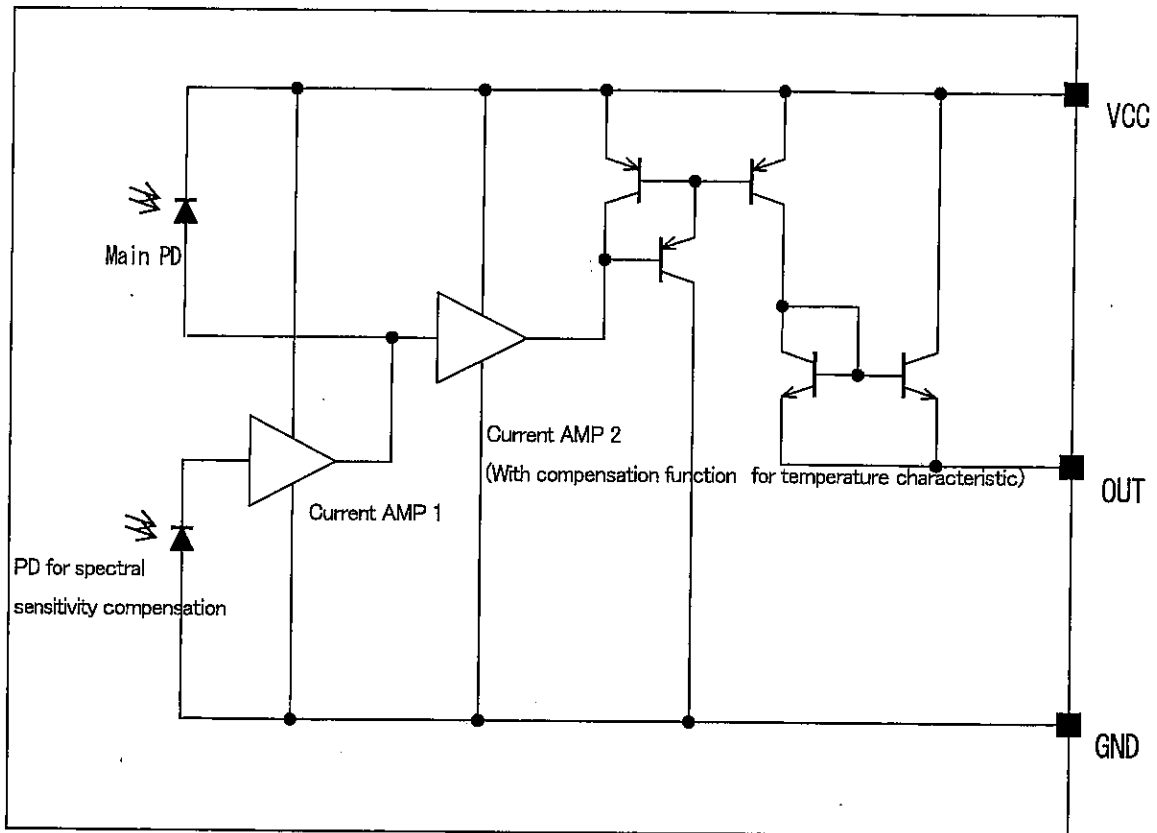
(2) Inspection method

A single sampling plan, normal inspection level II based on ISO2859 shall be adopted.

Parameter	Inspection items and test method				AQL(%)		
Major defect	1	Disconnection, short				0.1	
	2	Inverse polarity on terminal					
	3	Characteristics defect					
			Parameter	Symbol	Judgment criteria		Unit
			Supply current	I _{cc}	0.96 2.02		mA
			Output current 1	I _{o1}	0.94 1.96		mA
			Output current 2	I _{o2}	94 196		μA
			Output current 3	I _{o3}	9.4 19.6		μA
		Output current 4	I _{o4}	- 1	μA		
		Measurement conditions are described in 3.3.					
Minor defect	1	Appearance defect				0.25	
			Parameter	Judgment criteria			
			Crack	Visible crack irrespective of its position shall be defect.			
			Split, Chip, Scratch, Stain	One which affects the characteristics of paragraph 3.3. shall be defect.			
	Bubble, Foreign matter (One on resin surface which can wipe off shall not be applied.)	One which is more than φ 1.0mm or one which affects the characteristics of paragraph 3.3. , shall be defect.					

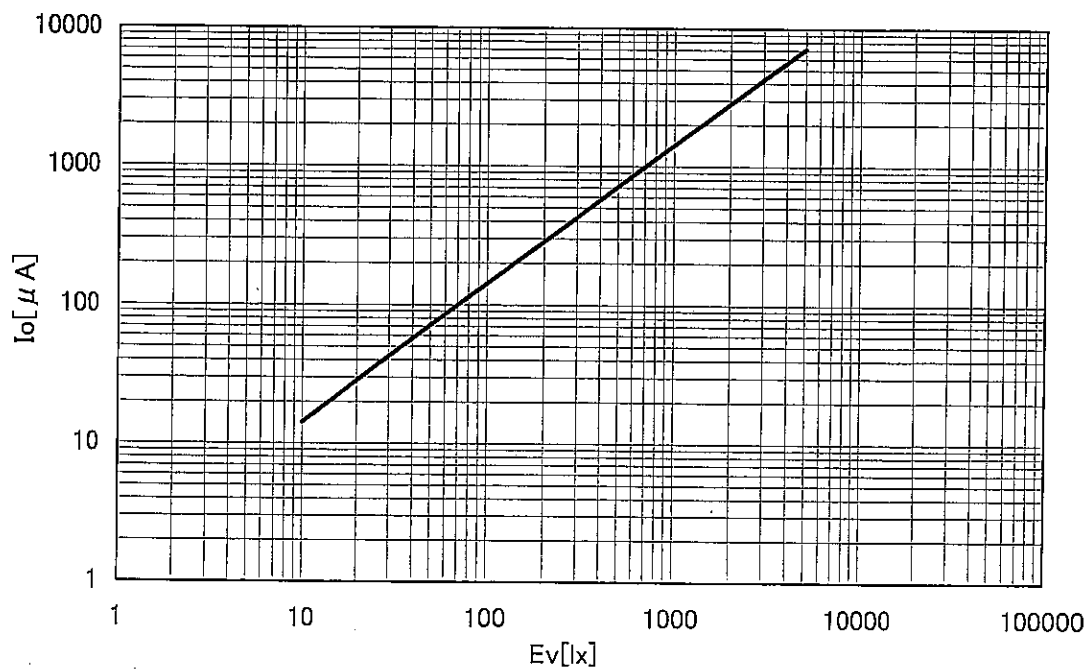
6. Supplement

(6-1) Circuit block diagram



(6-2) Output Current Characteristic

Output current Characteristics(TYP.)



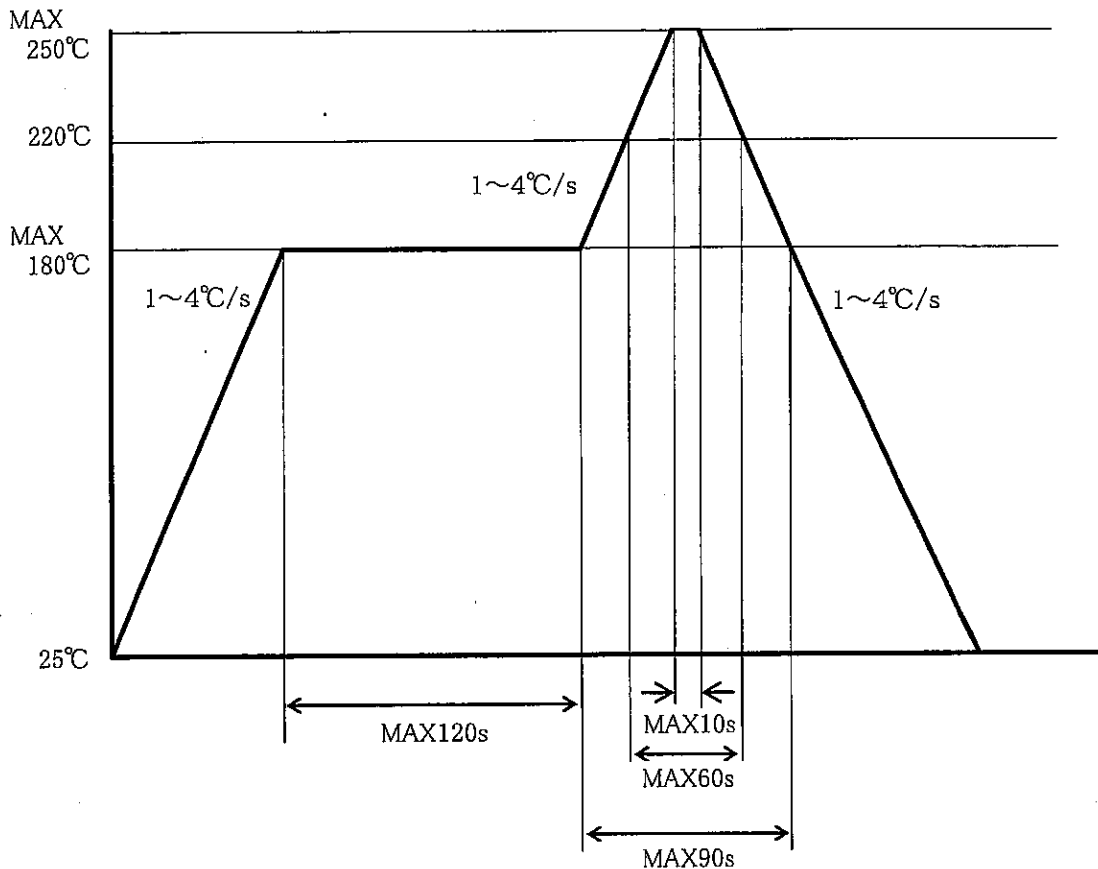
REFERENCE

(Attachment-1-1)

Precautions for Soldering GA1A1S100WP

1. In case, solder reflow

Please do two times or less soldering at the temperature and the time within the temperature profile as shown in the figure below.



2. Other precautions

An infrared lamp used to heat up for soldering may cause a localized temperature rise in the resin.

So keep the package temperature within that specified in Item 1.

Please be careful not to give the mechanical force to the package when soldering because it may cause the deformation or defect due to the plated connection.

Even if within the temperature profile above, there is the possibility that the gold wire in package is broken in case that the deformation of PCB gives the affection to terminals.

Please use after confirming the conditions fully by actual solder reflow machine.

REFERENCE

(Attachment-1-2)

3. Storage and management after opening the package

3.1 Storage condition : Storage shall be in accordance with the below conditions.

Storage temp. : 5 to 30°C

Storage humidity : 70%RH or less

3.2 Treatment after opening the package

- (1) After opening the package, please mount at the conditions of humidity 60%RH or less and temperature 5 to 25°C within 3 days.
- (2) In case of long time storage after opening the package, please mount within 2 weeks at the conditions of (A) or (B).
(A) after resealing with desiccant in moisture-proof sack by sealer, keeping in the condition of humidity 70%RH or less and temperature 5 to 30°C
(B) keeping in the dry box (humidity 20% or less, temperature 5 to 25°C)

3.3 Baking before mounting

In case that it could not be carried out the above treatment, or the humidity indicator card turned pink when opening the package, it is able to mount by baking treatment. However baking treatment shall be limited only 1 time.

Recommended conditions : 125°C, 16 to 24 hours

Recommended conditions at the packaged condition by the reel : 65°C, 48 hours

- ※ In the case baking at the packaged condition, please hang the reel in the oven using the spindle through the center hall of the reel. Please do not put the reel across the oven.

(Attachment-2-1)

Package specifications (ϕ 180mm reel)

1. Application

This specification applies to the taping specifications and the relation items for the GA1A1S100WP.

2. Taping method

(2.1) Tape structure and Dimensions (Refer to the attached sheet-2-2)

The tape shall have a structure in which a cover tape is sealed heat-pressed on the carrier tape made by electrically conductive polycarbonate to protect against static electricity.

(2.2) Reel structure and Dimensions (Refer to the attached sheet-2-3)

The reel shall be made of plastic.

(2.3) Direction of product insertion (Refer to the attached sheet-2-3)

Product direction in carrier tape shall direct to the Io and Vcc terminal (= the part of the cutout of the package) at the hole side on the tape, shall direct to the terminal part of the product at the bottom side of the rectangle hole on the tape, shall direct to the detecting part at the upside of the rectangle hole on the tape.

(2-4) Inclusion correction

In case correcting inclusion failing products, these products can be cut out from the carrier tape and the cutting parts can be sealed. At this time, the products are not included at the same places.

3. Adhesiveness of cover tape

The exhalation force between carrier tape and cover tape shall be 0.1N to 1.0N for the angle from 160° to 180° .

4. Rolling method and quantity

Wind the tape back on the reel so that the cover tape will be outside the tape.

Attach more than 16cm of blank tape to the trailer and 40cm to the leader of the tape and fix the both ends with adhesive tape.

One reel shall contain 2000 pcs, but in the case products by failing to seal are cut out(refer to the 2-4), the number is less.

5. Marking

The outer packaging case shall be marked with following information.

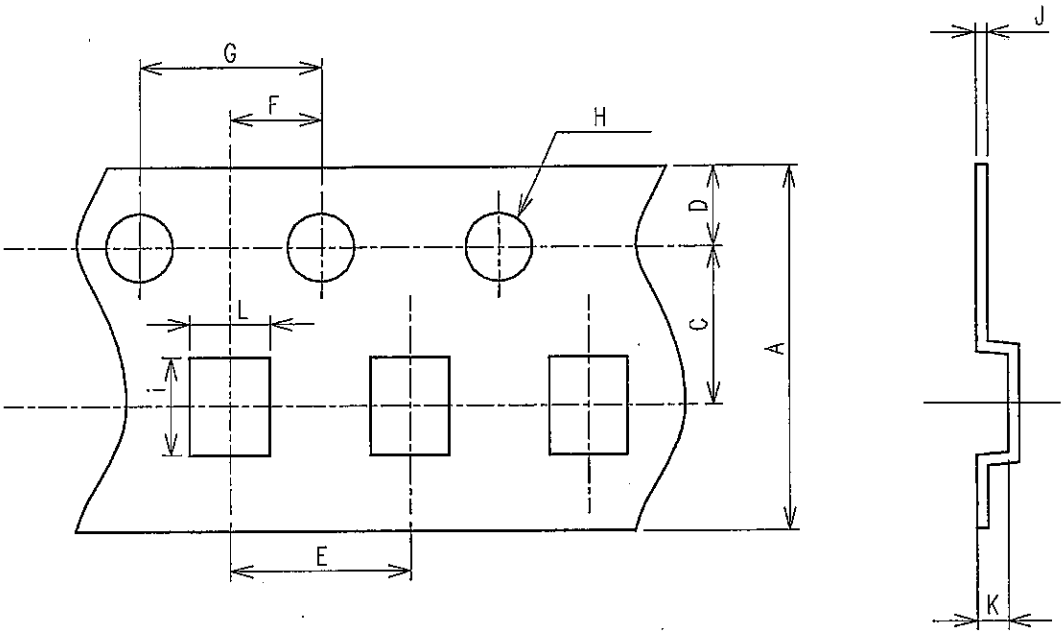
* Model No. * Number of pieces delivered * Production date

6. Safety protection during shipping

There shall be no deformation of component or degradation of electrical characteristics due to shipping.

(Attachment 2-2)

Tape structure and Dimensions

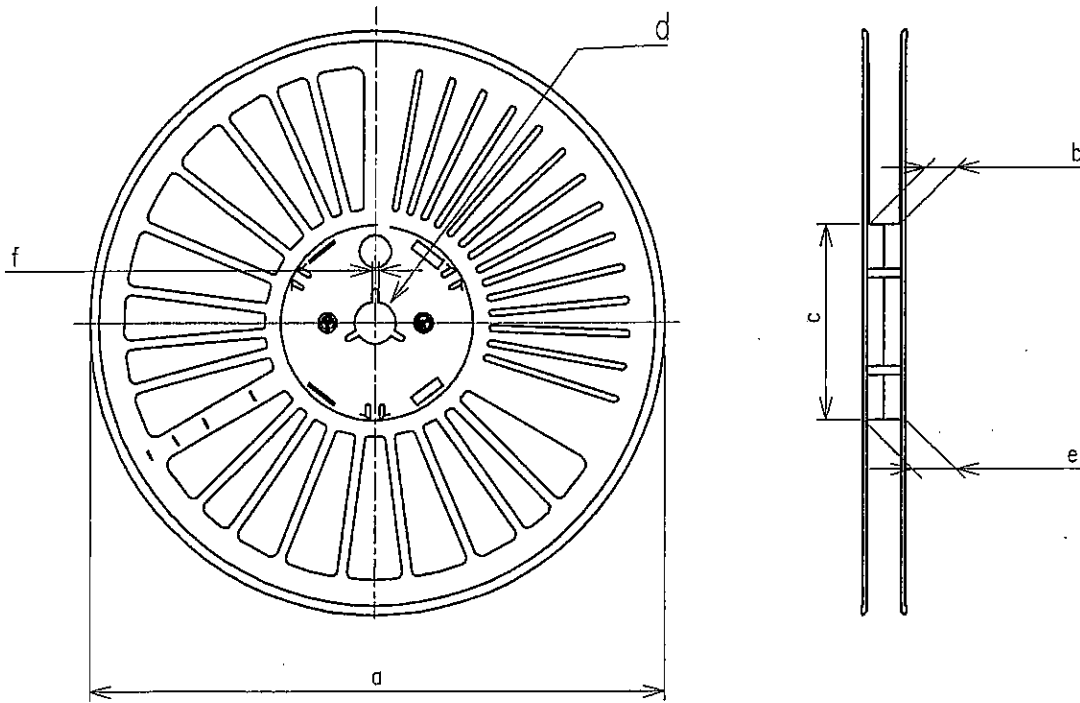


Unit \ Symbol	A	C	D	E	F	G
mm	8.00 ^{+0.30} _{-0.10}	3.50 ^{±0.10}	1.75 ^{±0.10}	4.00 ^{±0.10}	2.00 ^{±0.10}	4.00 ^{±0.10}

Unit \ Symbol	H	i	J	K	L
mm	φ 1.5 ^{+0.1} ₋₀	2.12 ^{±0.10}	0.25 ^{±0.10}	0.70 ^{±0.10}	1.70 ^{±0.10}

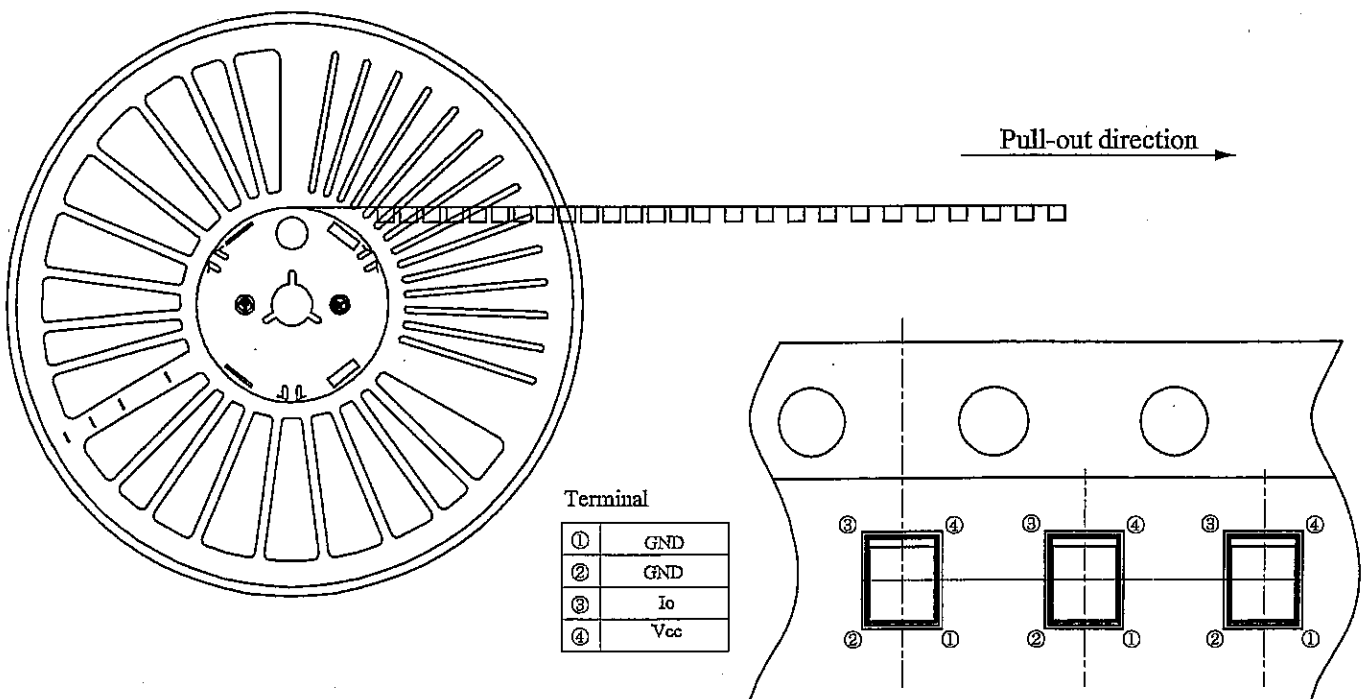
(Attachment 2-3)

Reel structure and Dimensions



unit	symbol	a	b	c	d	e	f
mm		$\phi 180.0^{+1.0}$	$9.5^{\pm 1.0}$	$\phi 60.0^{+1.0}$	$\phi 13.0^{\pm 0.2}$	$13.1^{\pm 1.0}$	$2.0^{\pm 0.5}$

Direction of product insertion



Terminal

①	GND
②	GND
③	I _o
④	V _{cc}

(Attachment-2-4)

Moisture-proof package specification (φ 180mm reel)

1. Application

This specification applies to the products which Sharp delivers to customer.

2. Packing specifications

2.1 Packaging material

Name	Material	Quantity	Aim
Aluminum laminated bag	Aluminum polyethylene	Refer to 2.2	Moisture-proof
Label	Paper(-made)	-	Indication of Model No. and Quantity
Humidity indicator card	Paper(-made)	1 sheet / reel	Indication of Humidity

2.2 Packaging method

- (1) Seal the aluminum laminated bag included the ruled tape-reel and humidity indicator card quantity.
- (2) Fill up the blank of label and paste on the bag.
- (3) Put the moisture-proof laminated bag in the ruled case

Package shape	Product	Quantity	Moisture-proof sack Quantity
Tape-reel (φ 180mm)	1ch. type	2000pcs. / reel	1reel / bag

Minimum order Quantity : 1 reel / bag

- (4) Packing case is closed by craft tape and Model No., Quantity, and Inspection date are filled out.
(Quantity: 10,000pcs./case) *Except the case products by failing to seal are cut out.

SHARP CORPORATION	
PARTNo.	GA1A1S100WP
QUANTITY	2000pcs
----- EIAJ C-3 bar-code -----	
----- EIAJ C-3 bar-code -----	
<EIAJ C-3> MADE IN CHINA	

3. Storage and management after opening the package

3.1 Storage condition : Storage shall be in accordance with the below conditions.

Storage temp. : 5 to 30°C

Storage humidity : 70%RH or less

3.2 Treatment after opening the package

- (1) After opening the package, please mount at the conditions of humidity 60%RH or less and temperature 5 to 25°C within 3 days.
- (2) In case of long time storage after opening the package, please mount within 2 weeks at the conditions of (A) or (B).
 - (A) after resealing with desiccant in moisture-proof sack by sealer, keeping in the condition of humidity 70%RH or less and temperature 5 to 30°C
 - (B) keeping in the dry box (humidity 20% or less, temperature 5 to 25°C)

3.3 Baking before mounting

In case that it could not be carried out the above treatment, or the humidity indicator card turned pink when opening the package, it is able to mount by baking treatment. However baking treatment shall be limited only 2 times.

Recommended conditions : 125°C, 16 to 24 hours

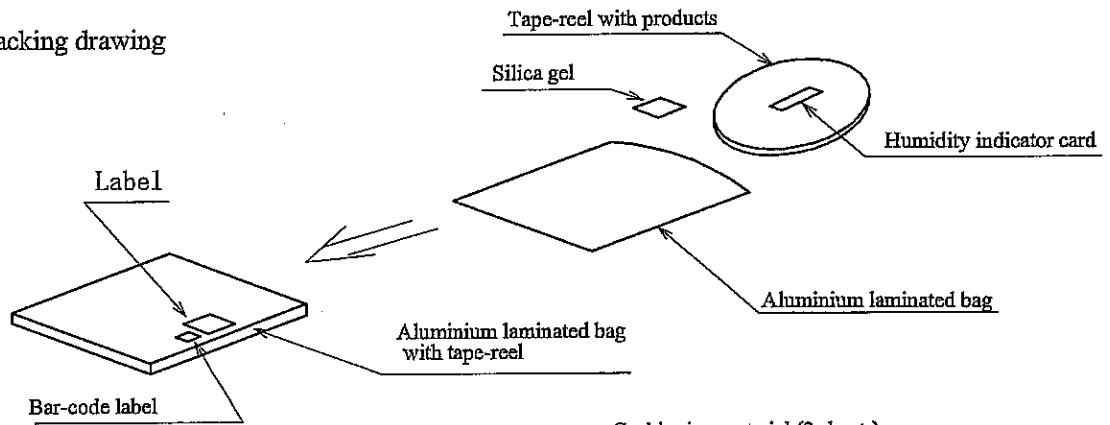
Recommended conditions at the packaged condition by the reel : 65°C, 48 hours

- ※ In the case baking at the packaged condition, please hang the reel in the oven using the spindle through the center hall of the reel. Please do not put the reel across the oven.

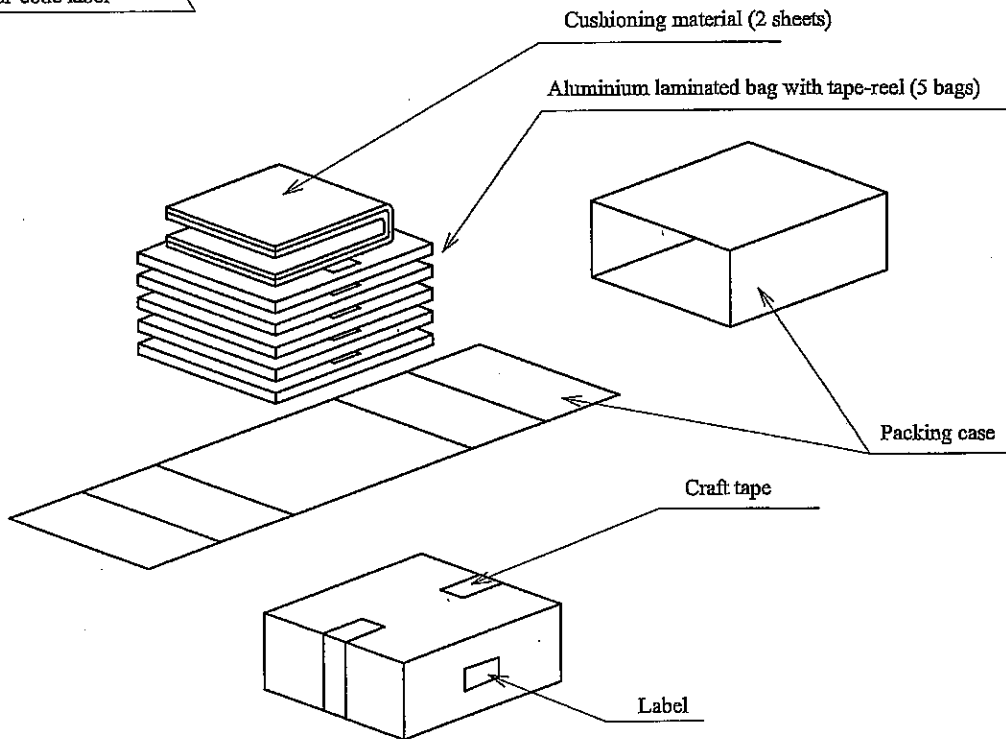
REFERENCE

4 Packaging

① Outer packing drawing



4-2 Outer packing



- ② Outer packing material: Packing case(Corrugated cardboard), Cushioning material (Urethane)
Aluminium laminated bag (Alumi-Polyethylene)
Humidity indicator card (paper), Label(paper), silica gel, craft tape

③ Quantity: 10,000pcs./box

④ Indication: Model No., quantity and inspection date

⑤ Regular packaged mass: Approximately 600g