

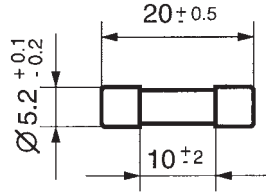
FUSES

Non resettable fuses

FSF 5 × 20

Miniature Fuses Type FSF 5 × 20

quick-acting F
low breaking capacity L
Glass tube



Standards

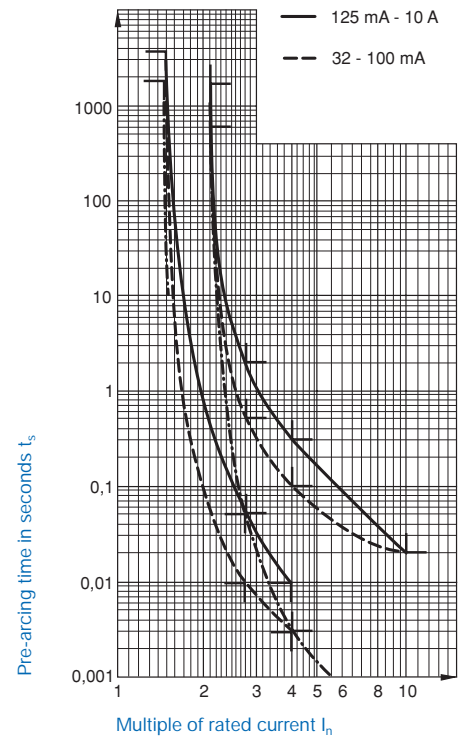
IEC 60127-2/2, EN 60127-2/2.

Approvals

- SEV UL VDE to / bis 6,3 A
- VDE CSA VDE 8 A + 10 A
- SEMCO

Pre-arcing time/current characteristic (at T_a 23 °C)

n · I _n Rated current I _n / Nennstrom I _n	2,1 · I _n		2,75 · I _n		4 · I _n		10 · I _n
	max.	min.	max.	min.	max.	max.	
32 – 100 mA	30 min	10 ms	500 ms	3 ms	100 ms	20 ms	
Above 100 mA – 6,3A	30 min	50 ms	2 s	10 ms	300 ms	20 ms	
Above 6,3 – 10 A	30 min	50 ms	2 s	10 ms	400 ms	40 ms	



* Non fusing current I_{nf}

Order No.	Rated current I _n Rated voltage U _n	Breaking capacity	Voltage drop		Sustained power dissipation		Pre-arcing I ² t at 10 · I _n typ. A ² s	Approvals				
			at I _n max. IEC 60127 mV	typ.	at 1,5 I _n max. IEC 60127 W	typ.		SEV	VDE	SEMCO	UL	CSA
0034.1527	32 mA / 250 V	L = 35 A / 250 V AC, p.f. / cos φ 1	10000	9300	1,6	0,7	8,2 · 10 ⁻⁵	•	•	•	•	•
0034.1528	40 mA / 250 V		8000	7400	1,6	0,7	1,28 · 10 ⁻⁴	•	•	•	•	•
0034.1529	50 mA / 250 V		7000	6400	1,6	0,7	2,5 · 10 ⁻⁴	•	•	•	•	•
0034.1530	63 mA / 250 V		5000	940	1,6	0,3	2,78 · 10 ⁻⁴	•	•	•	•	•
0034.1531	80 mA / 250 V		4000	750	1,6	0,3	1,02 · 10 ⁻³	•	•	•	•	•
0034.1506	100 mA / 250 V		3500	840	1,6	0,4	1,4 · 10 ⁻³	•	•	•	•	•
0034.1507	125 mA / 250 V		2000	610	1,6	0,4	4,84 · 10 ⁻³	•	•	•	•	•
0034.1508	160 mA / 250 V		2000	550	1,6	0,5	1,13 · 10 ⁻²	•	•	•	•	•
0034.1509	200 mA / 250 V		1700	540	1,6	0,5	2,52 · 10 ⁻²	•	•	•	•	•
0034.1510	250 mA / 250 V		1400	240	1,6	0,2	1,59 · 10 ⁻²	•	•	•	•	•
0034.1511	315 mA / 250 V		1300	210	1,6	0,2	3,67 · 10 ⁻²	•	•	•	•	•
0034.1512	400 mA / 250 V		1200	200	1,6	0,2	8,5 · 10 ⁻²	•	•	•	•	•
0034.1513	500 mA / 250 V		1000	150	1,6	0,2	1,51 · 10 ⁻¹	•	•	•	•	•
0034.1514	630 mA / 250 V		650	140	1,6	0,3	3,03 · 10 ⁻¹	•	•	•	•	•
0034.1515	800 mA / 250 V		240	110	1,6	0,3	5,08 · 10 ⁻¹	•	•	•	•	•
0034.1516	1 A / 250 V		200	110	1,6	0,3	1,13	•	•	•	•	•
0034.1517	1,25 A / 250 V	200	100	1,6	0,4	1,81	•	•	•	•	•	
0034.1518	1,6 A / 250 V	190	100	1,6	0,5	2,94	•	•	•	•	•	
0034.1519	2 A / 250 V	170	90	1,6	0,6	5,28	•	•	•	•	•	
0034.1520	2,5 A / 250 V	170	90	1,6	0,8	9,19	•	•	•	•	•	
0034.1521	3,15 A / 250 V	150	90	2,5	0,6	16,1	•	•	•	•	•	
0034.1522	4 A / 250 V	130	90	2,5	1,0	25,6	•	•	•	•	•	
0034.1523	5 A / 250 V	130	80	2,5	1,3	33,8	•	•	•	•	•	
0034.1524	6,3 A / 250 V	130	80	2,5	2,0	53,2	•	•	•	•	•	
0034.1525	8 A / 250 V	130	80	4	2,3	93,4	•	•	•	•	•	
0034.1526	10 A / 250 V	130	70	4	2,5	183	•	•	•	•	•	

* Not mentioned in the standards



Available as Pigtail miniature fuse-links, see page 100



FSF 5 x 20 Miniature Fuses pre-inserted info fuseholder OGN-SMD see page 167, 168

FUSES

Non resettable

SP 5 × 20, SPT 5 × 20, FSF 5 × 20, FST 5 × 20

Pigtails

Miniature Fuses with Pigtails Type SP 5 × 20

quick acting F
high breaking capacity



Order No.		I_n / U_n
0001.1001.PT	0001.1001.TR	500 mA / 250 V
0001.1002.PT	0001.1002.TR	630 mA / 250 V
0001.1003.PT	0001.1003.TR	800 mA / 250 V
0001.1004.PT	0001.1004.TR	1 A / 250 V
0001.1005.PT	0001.1005.TR	1,25 A / 250 V
0001.1006.PT	0001.1006.TR	1,6 A / 250 V
0001.1007.PT	0001.1007.TR	2 A / 250 V
0001.1008.PT	0001.1008.TR	2,5 A / 250 V
0001.1009.PT	0001.1009.TR	3,15 A / 250 V
0001.1010.PT	0001.1010.TR	4 A / 250 V
0001.1011.PT	0001.1011.TR	5 A / 250 V
0001.1012.PT	0001.1012.TR	6,3 A / 250 V
0001.1013.PT	0001.1013.TR	8 A / 250 V
0001.1014.PT	0001.1014.TR	10 A / 250 V

Technical data see page 96

Miniature Fuses with Pigtails Type FSF 5 × 20

quick acting F
low breaking capacity

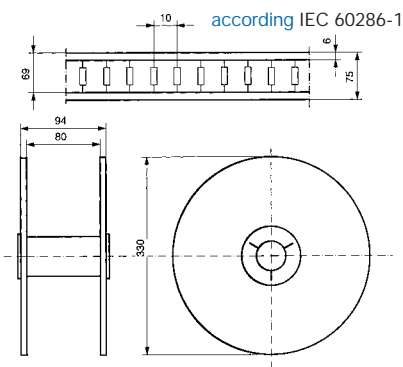


Order No.		I_n / U_n
0034.1513.PT	0034.1513.TR	500 mA / 250 V
0034.1514.PT	0034.1514.TR	630 mA / 250 V
0034.1515.PT	0034.1515.TR	800 mA / 250 V
0034.1516.PT	0034.1516.TR	1 A / 250 V
0034.1517.PT	0034.1517.TR	1,25 A / 250 V
0034.1518.PT	0034.1518.TR	1,6 A / 250 V
0034.1519.PT	0034.1519.TR	2 A / 250 V
0034.1520.PT	0034.1520.TR	2,5 A / 250 V
0034.1521.PT	0034.1521.TR	3,15 A / 250 V
0034.1522.PT	0034.1522.TR	4 A / 250 V
0034.1523.PT	0034.1523.TR	5 A / 250 V
0034.1524.PT	0034.1524.TR	6,3 A / 250 V
0034.1525.PT	0034.1525.TR	8 A / 250 V

Technical data see page 89

Packaging :

00XX.XXXX.PT Boxes of 1000 pieces
00XX.XXXX.TR Taped and reeled



Miniature Fuses with Pigtails Type SPT 5 × 20

time-lag T
high breaking capacity



Order No.		I_n / U_n
0001.2504.PT	0001.2504.TR	1 A / 250 V
0001.2505.PT	0001.2505.TR	1,25 A / 250 V
0001.2506.PT	0001.2506.TR	1,6 A / 250 V
0001.2507.PT	0001.2507.TR	2 A / 250 V
0001.2508.PT	0001.2508.TR	2,5 A / 250 V
0001.2509.PT	0001.2509.TR	3,15 A / 250 V
0001.2510.PT	0001.2510.TR	4 A / 250 V
0001.2511.PT	0001.2511.TR	5 A / 250 V
0001.2512.PT	0001.2512.TR	6,3 A / 250 V
0001.2513.PT	0001.2513.TR	8 A / 250 V
0001.2514.PT	0001.2514.TR	10 A / 250 V

Technical data see page 97

Miniature Fuses with Pigtails Type FST 5 × 20

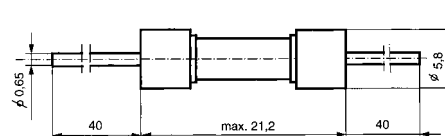
time-lag T
low breaking capacity



Order No.		I_n / U_n
0034.3104.PT	0034.3104.TR	50 mA / 250 V
0034.3105.PT	0034.3105.TR	63 mA / 250 V
0034.3106.PT	0034.3106.TR	80 mA / 250 V
0034.3107.PT	0034.3107.TR	100 mA / 250 V
0034.3108.PT	0034.3108.TR	125 mA / 250 V
0034.3109.PT	0034.3109.TR	160 mA / 250 V
0034.3110.PT	0034.3110.TR	200 mA / 250 V
0034.3111.PT	0034.3111.TR	250 mA / 250 V
0034.3112.PT	0034.3112.TR	315 mA / 250 V
0034.3113.PT	0034.3113.TR	400 mA / 250 V
0034.3114.PT	0034.3114.TR	500 mA / 250 V
0034.3115.PT	0034.3115.TR	630 mA / 250 V
0034.3116.PT	0034.3116.TR	800 mA / 250 V
0034.3117.PT	0034.3117.TR	1 A / 250 V
0034.3118.PT	0034.3118.TR	1,25 A / 250 V
0034.3165.PT	0034.3165.TR	1,4 A / 250 V
0034.3119.PT	0034.3119.TR	1,6 A / 250 V
0034.3120.PT	0034.3120.TR	2 A / 250 V
0034.3121.PT	0034.3121.TR	2,5 A / 250 V
0034.3122.PT	0034.3122.TR	3,15 A / 250 V
0034.3123.PT	0034.3123.TR	4 A / 250 V
0034.3124.PT	0034.3124.TR	5 A / 250 V
0034.3125.PT	0034.3125.TR	6,3 A / 250 V
0034.3126.PT	0034.3126.TR	8 A / 250 V

Technical data see page 90

Dimensions



Pigtail only approved up to 8 A