

50Ω RG 178 CABLE ASSEMBLIES

SPECIFICATIONS

For complete specifications see www.samtec.com?RF178

RF Connector:

Outer Contact Material:
Au plated Brass (SMA & SMB)
Au plated BeCu (MCX & MMCX)
Nickel (BNC & TNC)

Center Contact Material:

Au plated Brass (MCX-P, MMCX-P, BNC, TNC & SMB)
Au plated BeCu (SMA-J & MCX-J)

Insulator Material:

PTFE

Operating Temperature:

-50°C to +165°C

Frequency Range:

0-5 GHz (Connector dependent)

Insulator Resistance:

5,000 MΩ

Impedance:

50Ω

RoHS Compliant:

Yes

RG 178 Cable:

Impedance:

50Ω

Capacitance:

89.61 pF/meter

Propagation Delay:

4.83 nsec/meter

Max Attenuation

(cable only):

1.7dB @ 1 GHz for 1 meter

Conductor Size:

30 AWG, (0.31 mm) .012" dia.

Conductor Material:

Silver Plated Copper

Conductor Resistance:

0.34Ω/meter max

Current Rating:

3A DC

Insulator Diameter:

(0.86 mm) .034"

Insulator Material:

PTFE

Dielectric Constant:

2.1dK

Shield Material:

Silver Plated Copper Clad Steel

Jacket Material:

FEP

Jacket Diameter:

(1.80 mm) .071"

Jacket Temp Rating:

-50°C to +165°C

Jacket Color:

Amber

Bend Radius:

10.2 mm

RoHS Compliant:

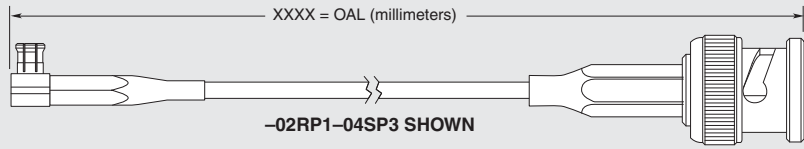
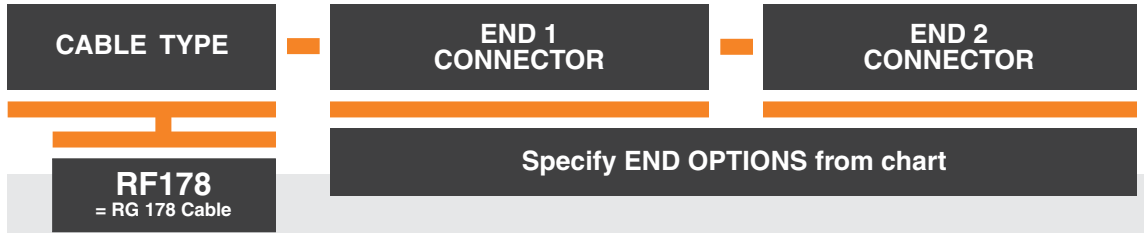
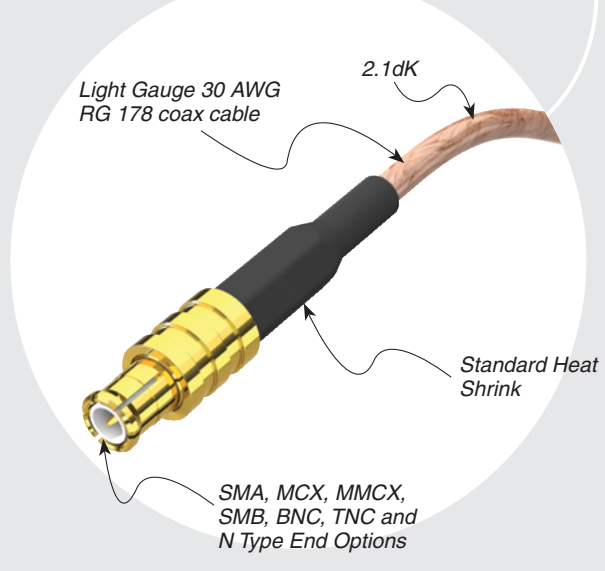
Yes

Mates with:

MCX, MMCX, BNC5,
TNC, SMA, SMB5, NTPE

THINK OUTSIDE THE CATALOG

- Create a full system: cable assembly and board level mates, 50Ω and 75Ω solutions
- 24-hour samples on standard products
- Visit: rf.samtec.com



END OPTIONS		END OPTIONS	
<p>-01BJ1 = SMA Straight Bulkhead Jack</p> <p>-01BR1 = SMA Straight Bulkhead Jack, Reversed Polarity</p> <p>(30μ" (0.76 μm) Gold on Center Contact, Gold Flash on Shell)</p>		<p>-02SP1 = MCX Straight Plug</p> <p>(30μ" (0.76 μm) Gold on Center Contact, Gold Flash on Shell)</p>	
<p>-02SJ1 = MCX Straight Jack</p> <p>(30μ" (0.76 μm) Gold on Center Contact, Gold Flash on Shell)</p>		<p>-03SP1 = MMCX Straight Plug</p> <p>(30μ" (0.76 μm) Gold on Center Contact, Gold Flash on Shell)</p>	
<p>-02RP1 = MCX Right Angle Plug</p> <p>(30μ" (0.76 μm) Gold on Center Contact, Gold Flash on Shell)</p>		<p>-03RP1 = MMCX Right Angle Plug</p> <p>(30μ" (0.76 μm) Gold on Center Contact, Gold Flash on Shell)</p>	

RF178-04SP3-02SJ1-0100

RF178-01BJ1-03RP1-0200

RF178-07BJ2-03SP1-0200

RF178 SERIES

Straight or Right Angle

Variety of Bulkhead Jacks

Single or Double ended

ALSO AVAILABLE
(MOQ Required)

- Additional stripping and tinning options
 - IP67 TNC option
 - Additional plating options
 - Additional end connector combinations
- Contact Samtec.

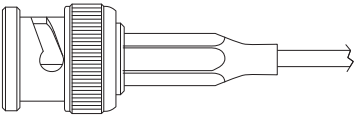
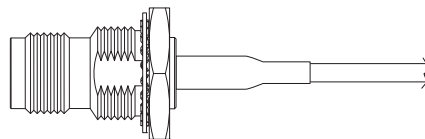
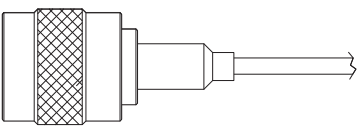
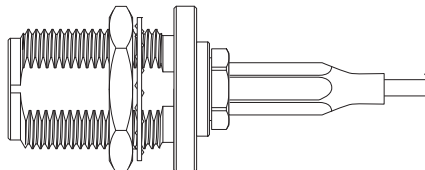
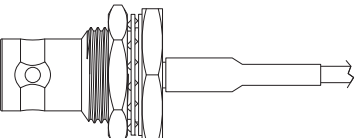
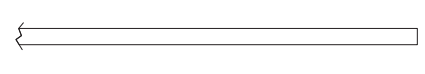
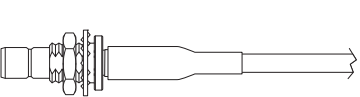

OTHER SOLUTIONS

- Cable connector kits
(see cable components catalog pages)

OVERALL LENGTH

—“XXXX”

= Overall Length in millimeters -0100 (100 mm) 3.94" minimum

END OPTIONS		END OPTIONS	
<p>-04SP3 = BNC Straight Plug (10µ" (0.25 µm)) Gold on Center Contact, Nickel on Shell</p> 		<p>-05BJ3 = TNC Straight Bulkhead Jack (10µ" (0.25 µm)) Gold on Center Contact, Nickel on Shell</p> 	
<p>-05SP3 = TNC Straight Plug (10µ" (0.25 µm)) Gold on Center Contact, Nickel on Shell</p> 		<p>-06BJ2 = N Type Straight Bulkhead Jack (30µ" (0.76 µm)) Gold on Center Contact, Nickel on Shell</p> 	
<p>-04BJ2 = BNC Straight Bulkhead Jack (30µ" (0.76 µm)) Gold on Center Contact, Nickel on Shell</p> 		<p>-SING = Single Ended (End 2 Callout)</p> 	
<p>-07BJ2 = SMB Straight Bulkhead Jack (30µ" (0.76 µm)) Gold on Center Contact, Nickel on Shell</p> 		<p>XXXXXX = Stripped & Tinned (End 2 Callout)</p> 	

STRIPPED & TINNED
(Dimensions in mm)

CALLOUT	A	B	C
-303030	3.0	3.0	3.0
-303040	3.0	3.0	4.0
-403030	4.0	3.0	3.0
-403040	4.0	3.0	4.0
-404040	4.0	4.0	4.0

Both center conductor and braid shield are stripped, only the center conductor is tinned.