

# Quick Start Guide

RL78/G1D  
BLE Module Expansion Board

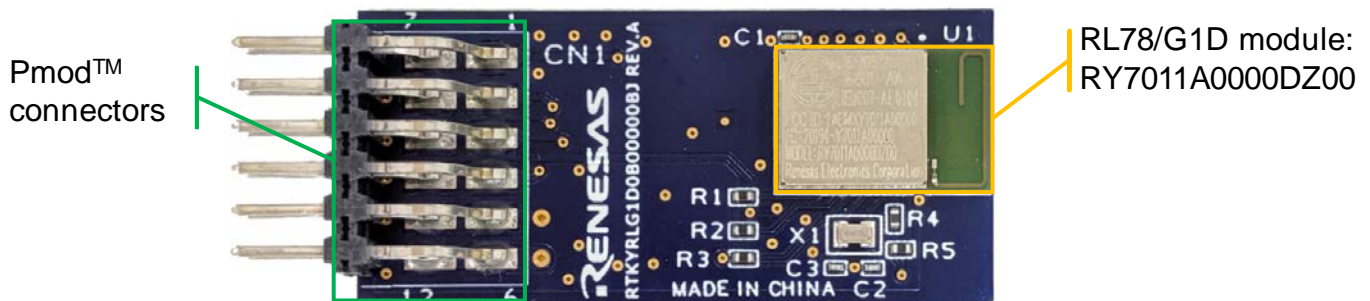
## (1) Package components

- RL78/G1D Bluetooth Low Energy (BLE) Module Expansion Board (RTKYRLG1D0B00000BJ)
- Quick Start Guide (this document)

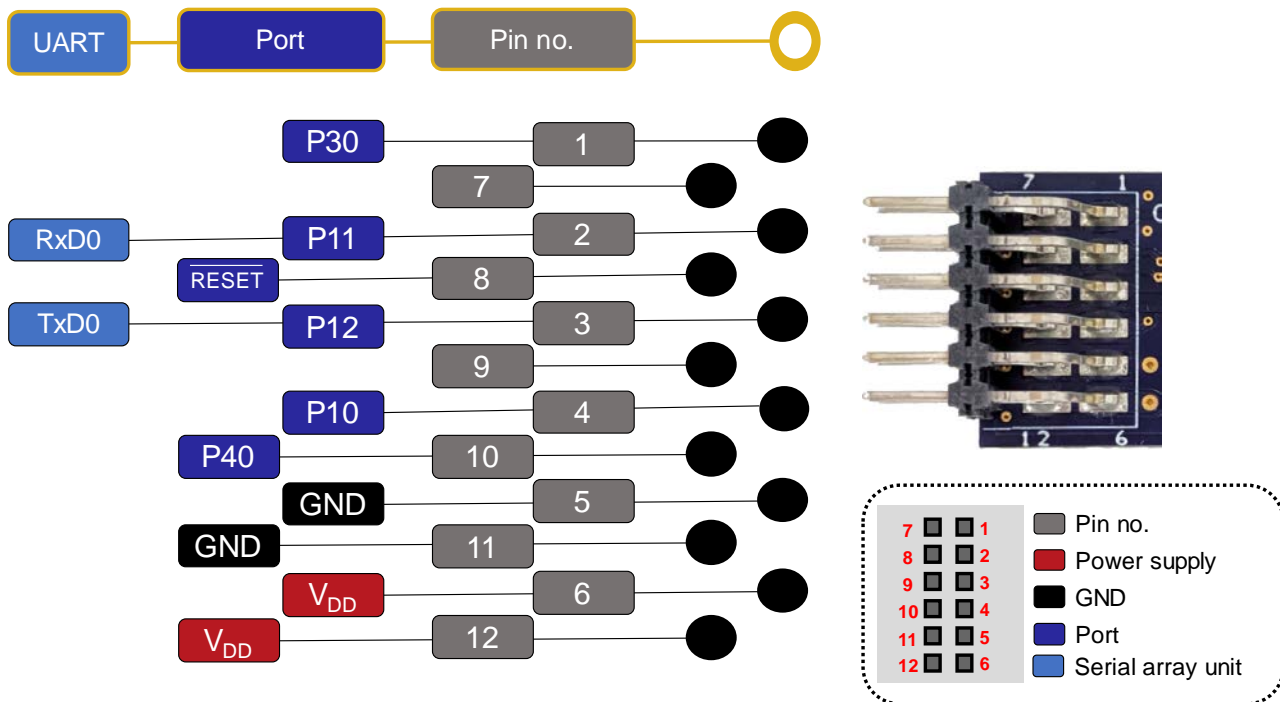
## (2) Table of board specifications

Item	Specification
MCU	Part No.: RY7011A0000DZ00; package: MLZZ0042ZA-A
	On-chip memory: 256-KB ROM, 20-KB RAM, 8-KB data flash memory
Board size	Size: 19 mm x 40 mm; thickness: 1.6 mm
Power-supply voltage	VDD: 1.8 V to 3.6 V
Pmod™ connector	Connector: 12-pin angle type x 1

## (3) Parts layout



## (4) PMOD interface



## (5) Note on using the board

Download the user's manual from the Web site below and check the full specifications before using the board.

URL: <http://www.renesas.com/rl78fpb>