

## Adjustable Line Laser Generator

### ML-200



#### FEATURES:

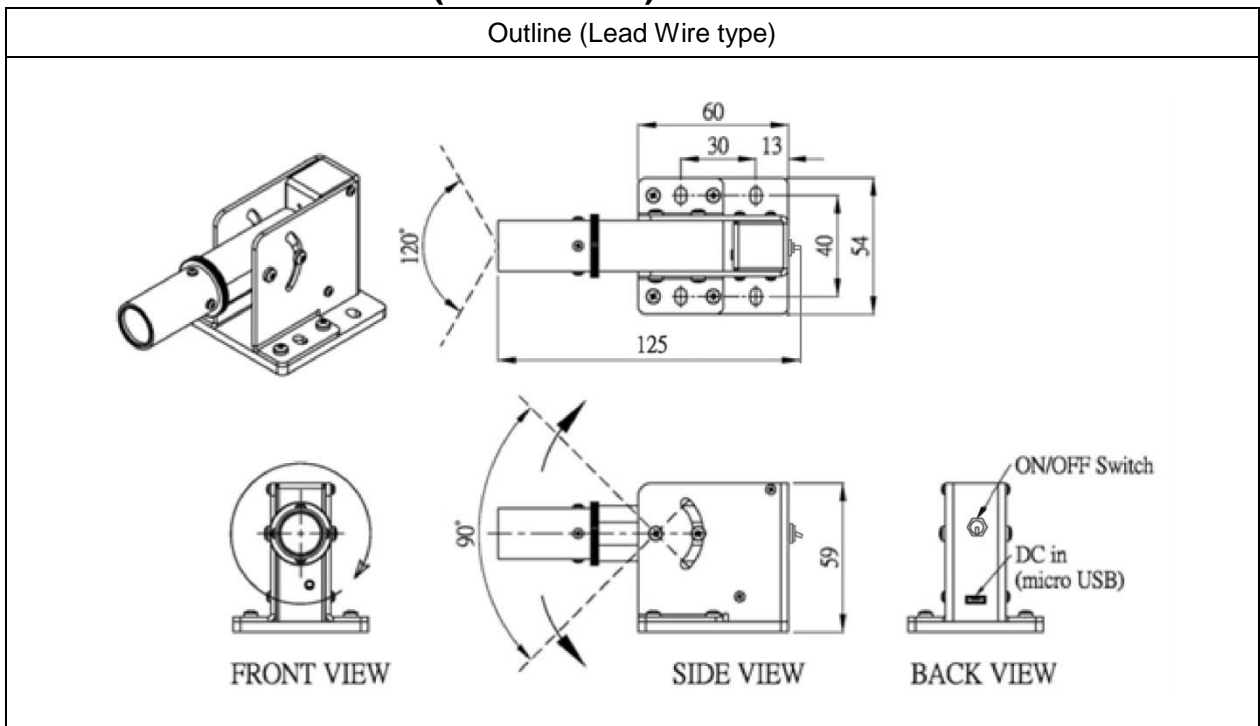
- 3 Directions Adjustable Green Line Generator.
- Super brightness green line can be visible at outdoor daytime ambience.
- Projects a visible Green Laser guideline up to 100 feet(30 meters) long-suitable for large work surfaces.
- Ideal for all large-filed cutting works(textile, wood, stone and sheet metal, etc.)
- Special aspheric glass lens enables a visible and bright laser line.
- Metal housing for maximum ruggedness and shock resistant.
- Compact and lightweight, designed especially for one-person setup and use.
- Dimensions: 125(L) x 54 (W) x 59 (H) mm (4.92"x2.13"x2.32")
- Wavelength : 520 nm
- Class II CW mode
- Width of laser line: <3mm at 5M
- Emitting angle: >120°
- 100~240V AC to DC Adaptor included.

#### APPLICATIONS:

- Ideal for all large-filed cutting works(textile, wood, stone and sheet metal, etc.)
- High accuracy Green Line Generator, for high-precision leveling, alignment, adjusting, positioning, measuring, targeting, pointing and laser sighting device.
- Wood processing.
- Metal processing.
- Stone processing.
- Textile industry.
- Food industry.
- Automotive industry.
- Medical science.

## ML-200

### OUTLINE DIMENSIONS (UNITS: mm)



### SPECIFICATIONS

SPECIFICATIONS		ML-200
1	Dimensions	125(L) x 54(W) x 59(H) mm (4.92" x 2.13" x 2.32")
2	Weight	250±5g / 8.81±0.17oz.
3	Output power	Class II CW mode
4	Wavelength	520nm
5	Width of laser line	<3mm at 5M
6	Operating temp. range	-20°C ~ +60°C
7	Emitting angle	>120°
8	Housing	Metal
9	Finishing	Black anodized
10	Power	Micro USB(Adapter included)

## ML-200

### ORDER CODE

Order Code	Wavelength	Output Power	Connection Type
ML-200	520 nm	Class II	Micro USB

### SAFETY LABEL

