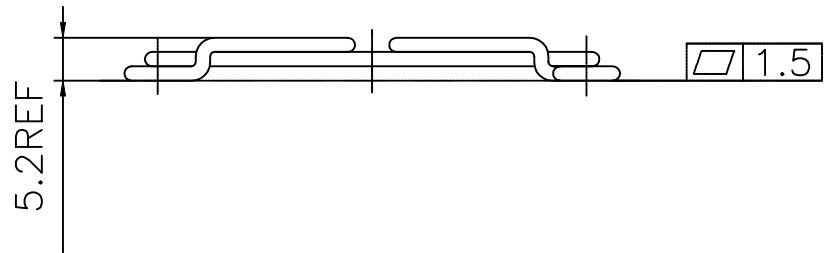
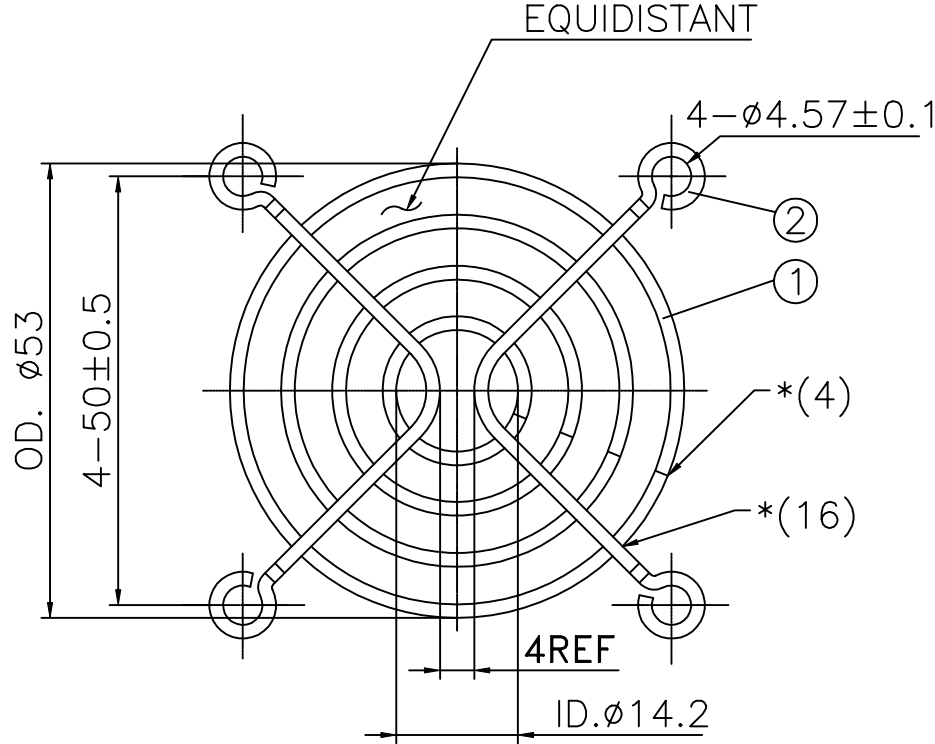


Revision			
Rev.	Description	Date	Approved
A	Hexavalent Chrome plating	01-24-03	

NOTES:

- 1.MATERIAL:SAE1008(OR EQUIVALENT) BRIGHT BASIC WIRE.
- 2.FINISH:BRIGHT NICKEL CHROME(TRAVALENT CHROME) PLATING
3. 0.30±0.05 DEPTH OF SERRATIONS ON WIRE.
4. WELD JOINTS TO WITHSTAND 50LBS PULL FORCE.
- 5.RING:ø1.6;RIB:ø1.6.
- 6.GENERAL TOLERANCE UNLESS NOTED IS ±015\*\*\* & ±030\*\*
7. RoHS Compliant



Dim range (mm)	Tolerance +/- (mm)	Qualtek Electronics Corp. FAN-S DIVISION		
		Part Number: 08147		<b>RoHS Compliant</b>
0-1	0.15	Description: WIRE FORM FAN GUARD		
1-6	0.20			
6-18	0.30		UNIT:mm	Rev B
18-50	0.50			
50-120	0.70	Drawn/Date	Checked/Date	Approved/Date
120-250	0.90	B.ZHANG	LG/03-08-05	JJH/03-08-05
250-500	1.20	03-08-05		