

T1/E1CEPT/ISDN-PRI 16 CHANNEL TRANSFORMER



- RoHS peak reflow temperature rating: 245°C
- Optimized for enhanced EMC performance
- Transformers with optional common mode chokes on both transmit and receive channels
- Isolation Voltage: 1500 Vrms

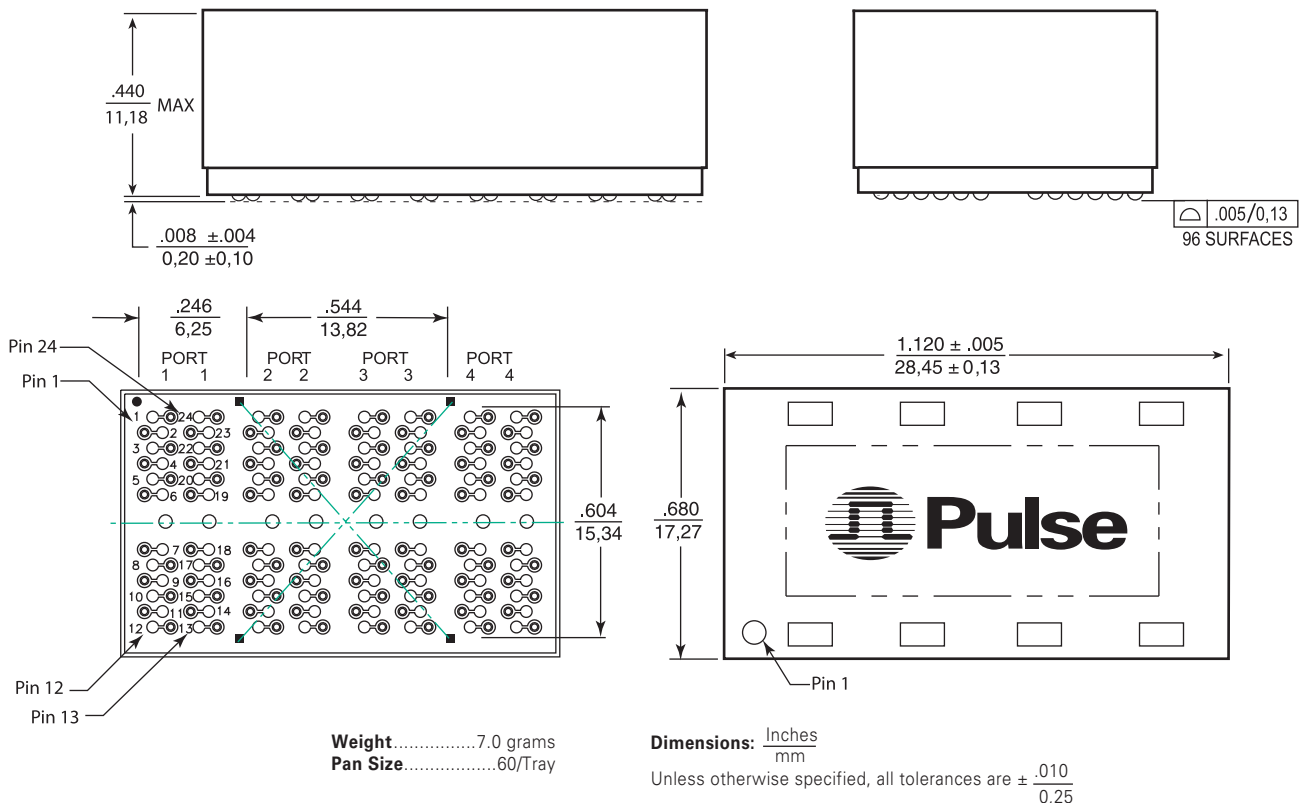
Electrical Specifications @ 25°C — Operating Temperature -40°C to +85°C

RoHS Compliant Part Number		Line Side OCL (mH MIN)	Cw/w (pF MAX)	Turns Ratio (Pri:Sec ±2%)		Primary Pins	
w/o CMC	w/CMC			TX	RX	TX	RX
TX1680NL	—	1.2	35	1:2CT	1CT:2	4-6, 21-19	1-3, 24-22
TX1681NL	—	1.2	35	1:1CT	1CT:1	4-6, 21-19	1-3, 24-22
—	TX1682NL	1.2	35	1:2CT	1CT:2	4-6, 21-19	1-3, 24-22

NOTES: 1. Other Transformer/Choke modules available. Please contact Pulse Applications Engineering.

Mechanical

TX1680NL, TX1681NL, TX1682NL

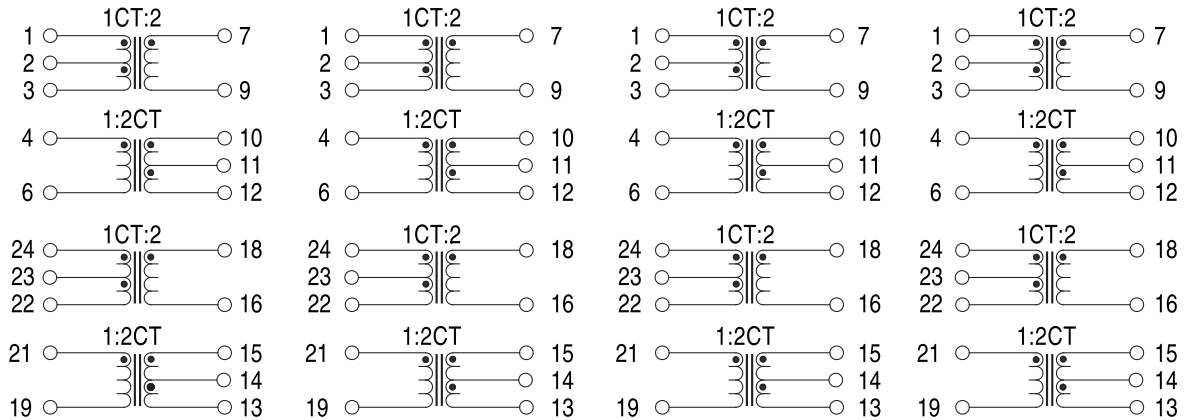


T1/E1CEPT/ISDN-PRI 16 CHANNEL TRANSFORMER

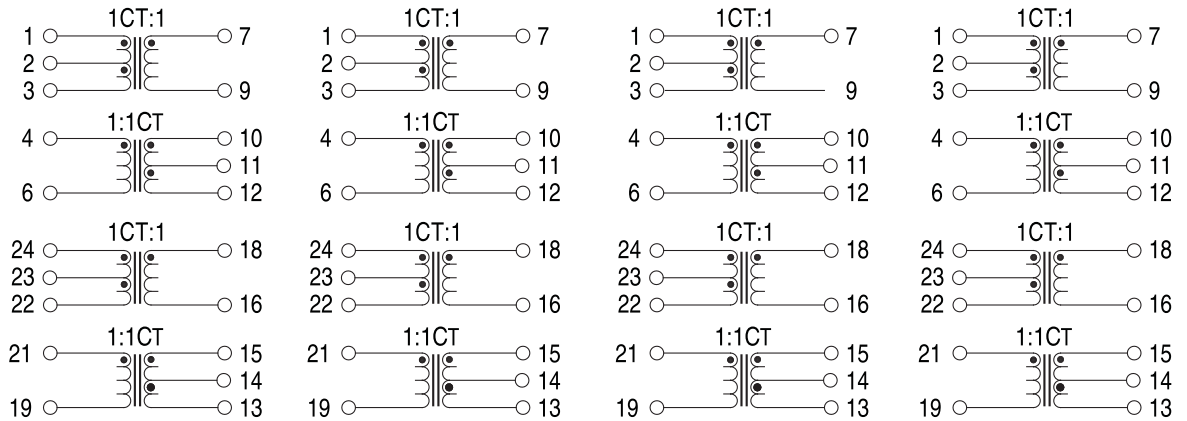


Schematics

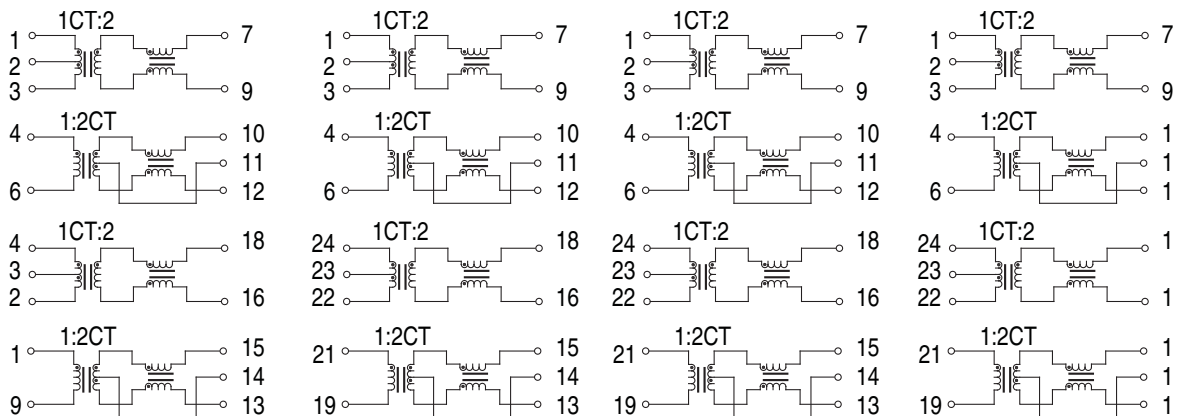
TX1680NL



TX1681NL



TX1682NL



For More Information:

Pulse Worldwide Headquarters

12220 World Trade Dr.
San Diego, CA 92128
U.S.A.

www.pulseeng.com

Tel: 858 674 8100
Fax: 858 674 8262

Pulse Europe

Zeppelinstrasse 15
D-71083 Herrenberg
Germany

Tel: 49 7032 7806 0
Fax: 49 7032 7806 135

Pulse China Headquarters

B402, Shenzhen Academy of
Aerospace Technology Bldg.
10th Kejinan Rd.
High-Tech Zone
Nanshan District
Shenzhen, PR China 518057

Tel: 86 755 33966678
Fax: 86 755 33966700

Pulse North China

Room 2704/2705
Super Ocean Finance Ctr.
2067 Yan An Rd. West
Shanghai 200336
China

Tel: 86 21 62787060
Fax: 86 2162786973

Pulse South Asia

135 Joo Seng Rd.
#03-02
PM Industrial Bldg.
Singapore 368363

Tel: 65 6287 8998
Fax: 65 6287 8998

Pulse North Asia

3F, No. 198
Zhongyuan Rd.
Zhongli City
Taoyuan County 320
Taiwan R. O. C.

Tel: 886 3 4356768
Fax: 886 3 4356823 (Pulse)
Fax: 886 3 4356820 (FRE)

Performance warranty of products offered on this data sheet is limited to the parameters specified. Data is subject to change without notice. Other brand and product names mentioned herein may be trademarks or registered trademarks of their respective owners.

© Copyright, 2010. Pulse Engineering, Inc. All rights reserved.