





# SMT COMMON MODE CHOKES

## 1.0A to 14.0A



-  Wide variety of package sizes available
-  1Arms to 14Arms current rating
-  Inductances from 61uH to 10mH
-  1500Vrms Hi-pot

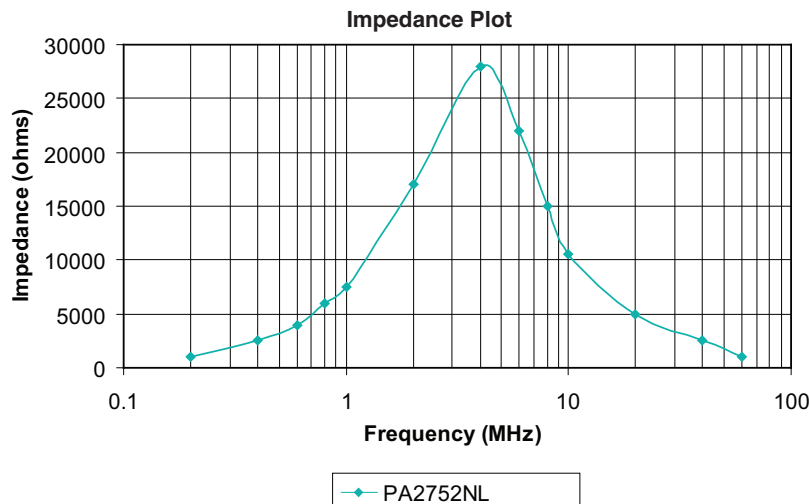
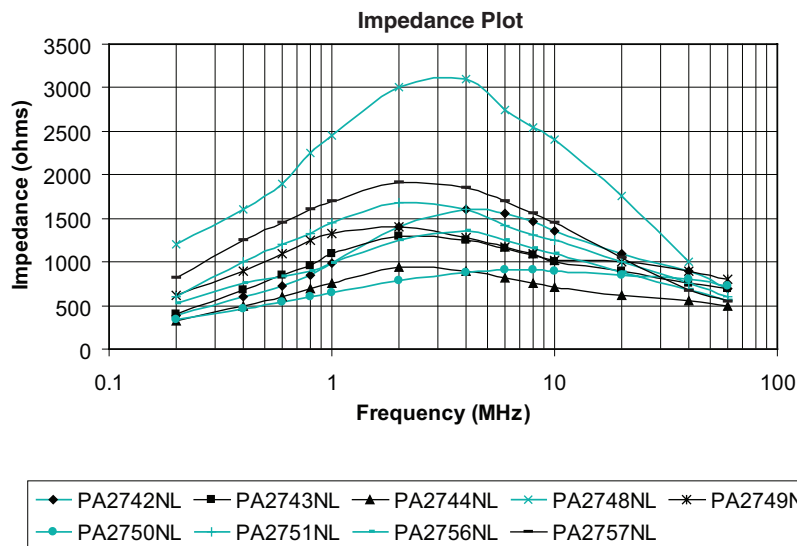
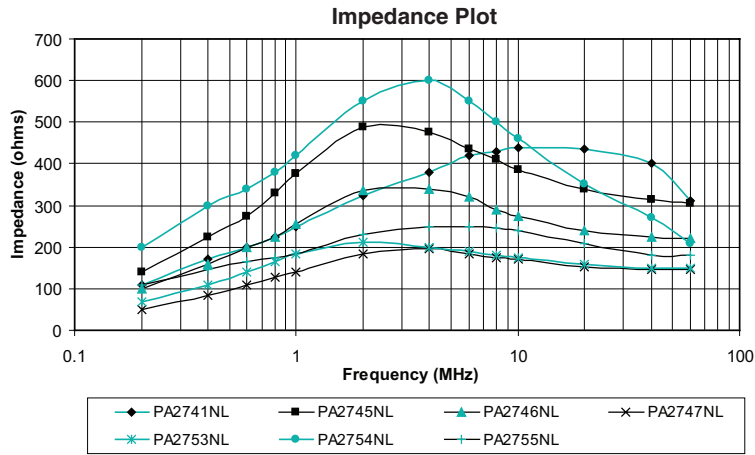
**Electrical Specifications at 25 deg C Temp Range -40 ° C to 130 ° C**

Part Number	Inductance per Winding (mH +/- 35%)	Irated (A)	DCR per Winding (mOhms Max)	Leakage Inductance (uH Min)	Package Name	Package Size L x W x H (mm Max)
PA2741NL	0.094	1.1	60	0.3	Low Shasta	9.1x8.9x3.8
PA2742NL	0.397	1.0	184	0.6	High Shasta	9.1x8.9x7.9
PA2743NL	0.383	3.3	18	1	Polecat1	12.9x12.7x5.6
PA2744NL	0.280	4.0	13.2	0.7	Polecat1	12.9x12.7x5.6
PA2745NL	0.130	5.0	6.75	0.4	Polecat1	12.9x12.7x5.6
PA2746NL	0.096	6.0	4.3	0.25	Polecat2	13.2x13.2x5.6
PA2747NL	0.061	7.0	2.8	0.15	Polecat2	13.2x13.2x5.6
PA2748NL	1.125	1.8	49.5	3	Polecat2	13.2x13.2x5.6
PA2749NL	0.536	3.8	17.1	1.2	LCCI-37	16.3x14.2x8.9
PA2750NL	0.400	6.0	9.4	1.25	LCCI-44	18.2x15.0x10.2
PA2751NL	0.486	4.2	16	1	LCCI-44LP	18.2x15.0x7.62
PA2752NL	10.150	1.4	200	25	LCCI-50	19.6x17.0x9.9
PA2753NL	0.095	12.5	3	0.15	LCCI-50	19.6x17.0x9.9
PA2754NL	0.215	12.0	3.75	0.5	Makeni	20.7x19.1x11.2
PA2755NL	0.117	14.0	2.4	0.3	Makeni	20.7x19.1x11.2
PA2756NL	0.483	8.0	7.7	1.5	LCCI-50	19.6x17.0x9.9
PA2757NL	1.030	10.0	9.35	3	HCCI-80	31.0x25.4x12.7

**NOTE:**

1. Optional Tape & Reel packaging can be ordered by adding a "T" suffix to the part number (i.e. PA2741NL becomes PA2741NLT). Pulse complies to industry standard tape and reel specification EIA481.
2. The maximum current rating (Arms) is based upon the temperature rise of the component and represents the rms current which will cause a typical temperature rise of 40C.
3. The temperature of the component (ambient plus temperature rise) must be within the stated operating temperature range.

### Impedance Plots



# SMT COMMON MODE CHOKES

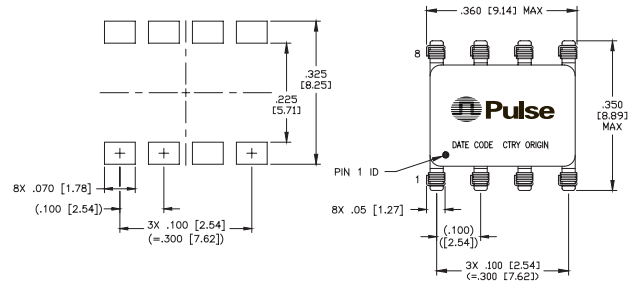
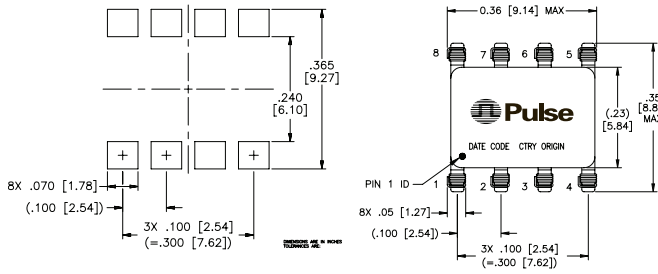
## 1.0A to 14.0A



### Mechanicals

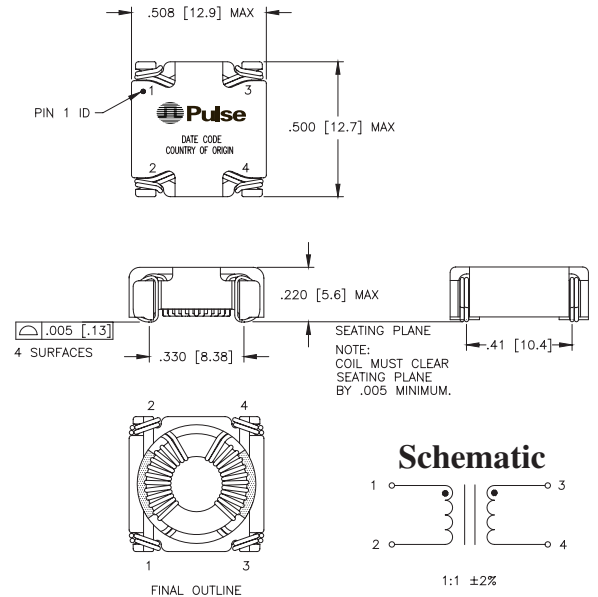
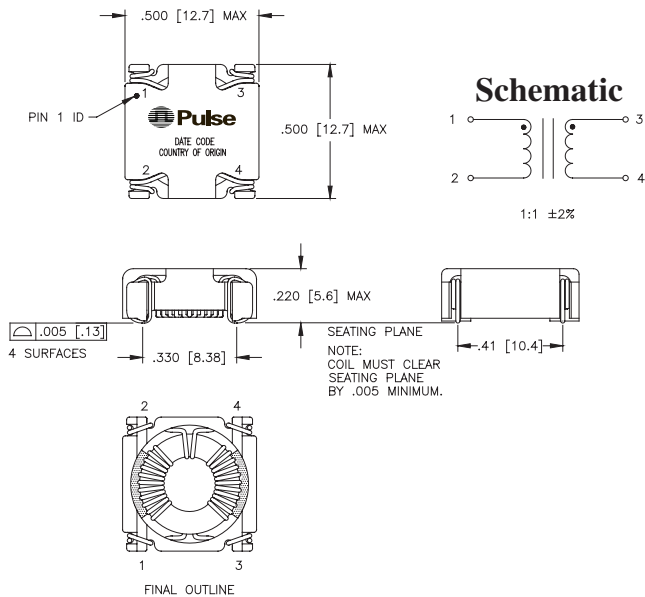
#### Low Shasta - PA2741NL

#### High Shasta - PA2742NL



#### PoleCat1 - PA2743NL, PA2744NL, PA2745NL

#### PoleCat2 - PA2746NL, PA2747NL, PA2748NL



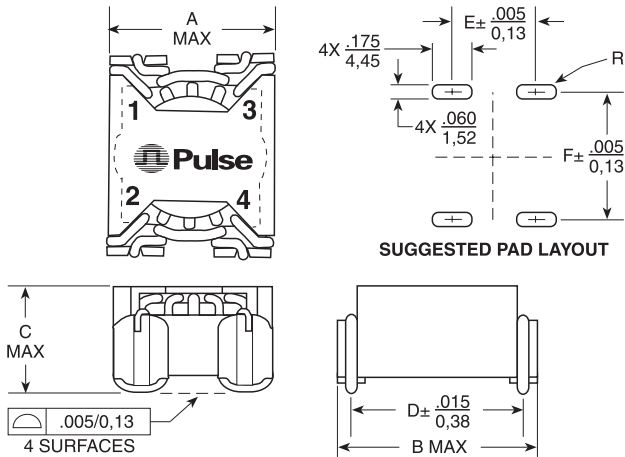
# SMT COMMON MODE CHOKES

## 1.0A to 14.0A



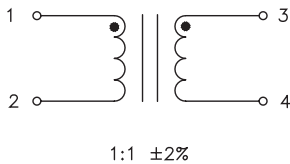
### Mechanicals

**LCCI-37 - PA2749NL**

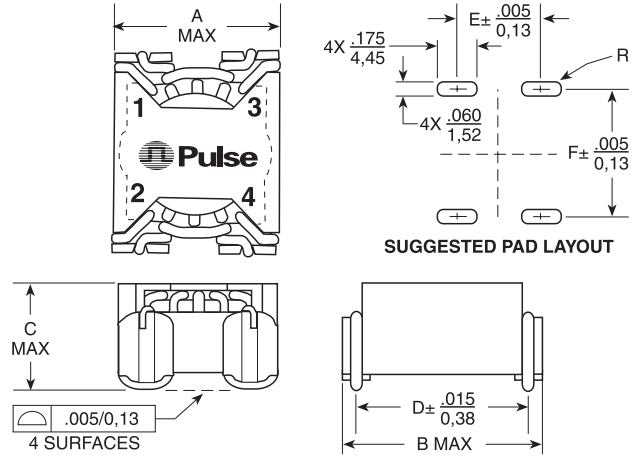


SUGGESTED PAD LAYOUT

**Schematic**

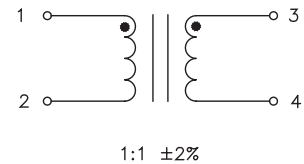


**LCCI-47 - PA2750NL**

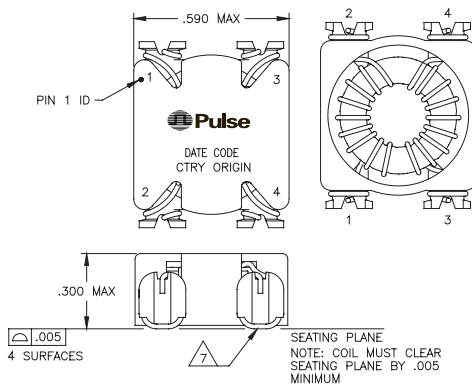


SUGGESTED PAD LAYOUT

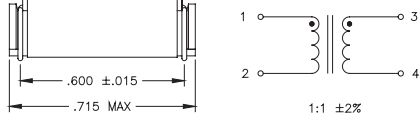
**Schematic**



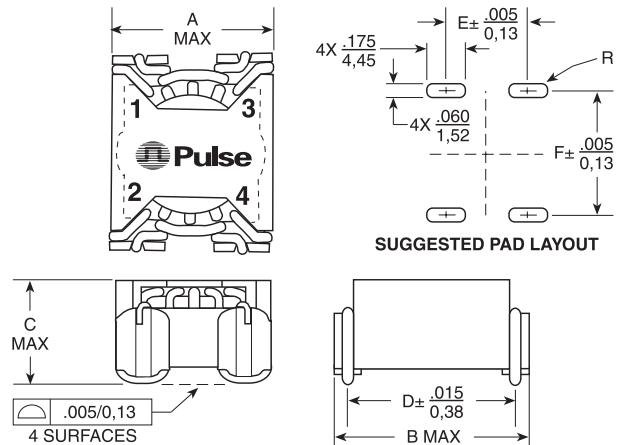
**LCCI-44LP - PA2751NL**



**Schematic**

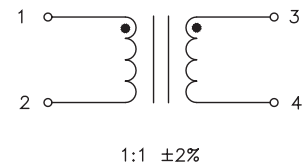


**LCCI-50 - PA2752NL**



SUGGESTED PAD LAYOUT

**Schematic**



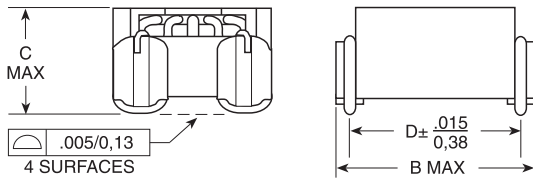
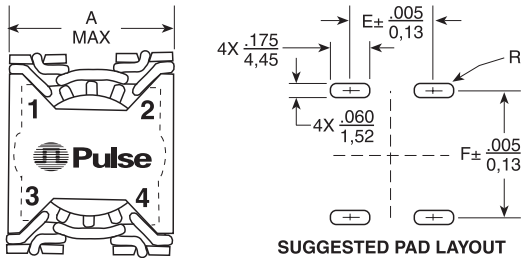
# SMT COMMON MODE CHOKES

## 1.0A to 14.0A

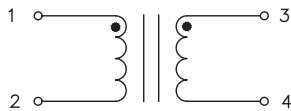


### Mechanicals

#### LCCI-50 - PA2753NL

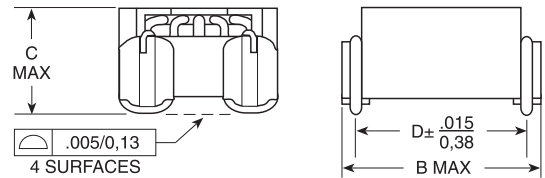
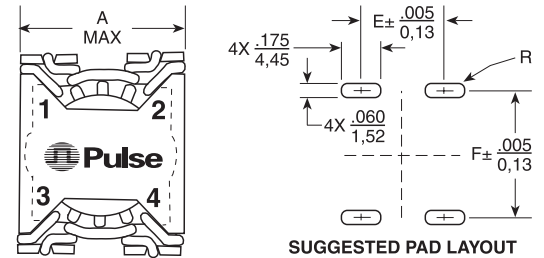


#### Schematic

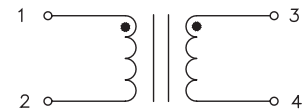


1:1 ±2%

#### LCCI-50 - PA2756NL

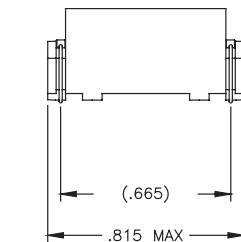
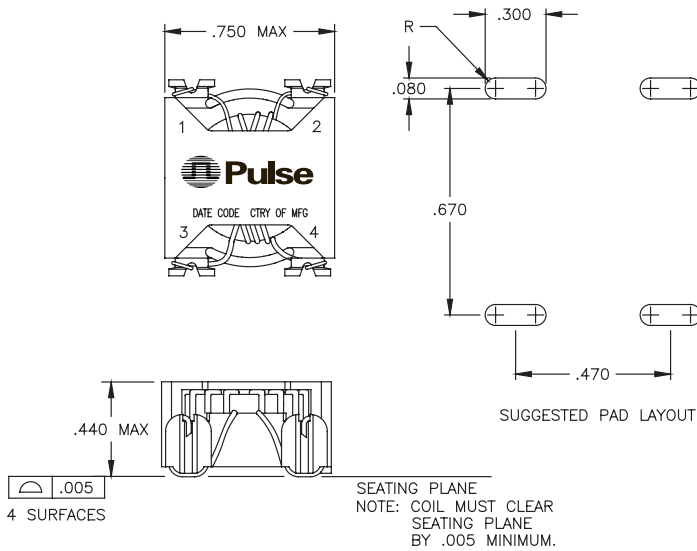


#### Schematic

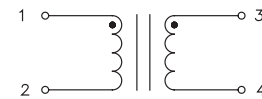


1:1 ±2%

#### Makeni - PA2754NL, PA2755NL



#### Schematic



1:1 ±2%

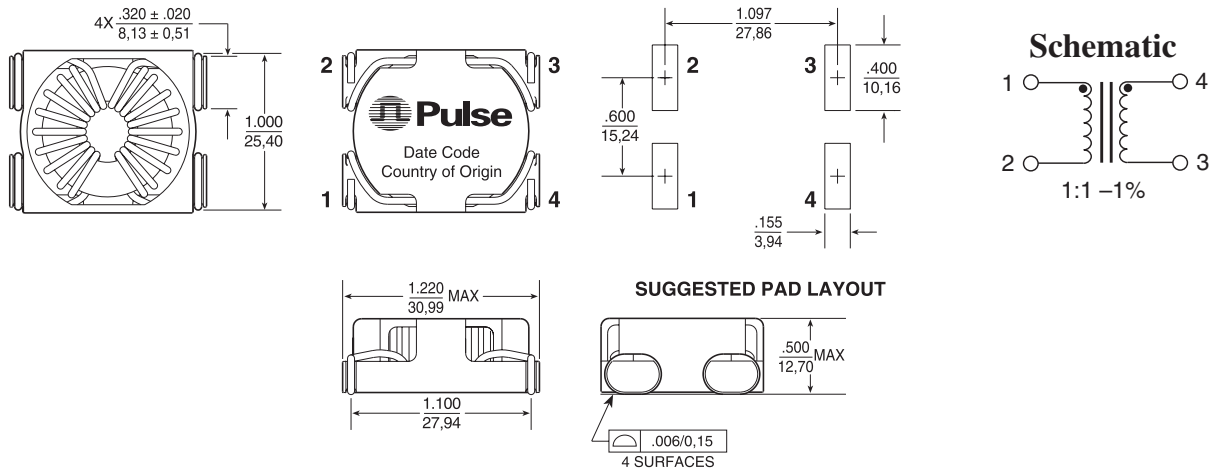
# SMT COMMON MODE CHOKES

## 1.0A to 14.0A



### Mechanicals (continued)

**HCCI-80 - PA2757NL**



### For More Information:

Pulse Worldwide Headquarters	Pulse Europe	Pulse China Headquarters	Pulse North China	Pulse South Asia	Pulse North Asia
12220 World Trade Dr. San Diego, CA 92128 U.S.A.	Einsteinstrasse 1 D-71083 Herrenberg Germany	B402, Shenzhen Academy of Aerospace Technology Bldg. 10th Kejinan Rd. High-Tech Zone Nanshan District Shenzen, PR China 518057	Room 1503 XinYin Building No. 888 YiShan Rd. Shanghai 200233 China	135 Joo Seng Rd. #03-02 PM Industrial Bldg. Singapore 368363	No. 26, Kao Ching Rd. Yang Mei Chen Taoyuan Hsien Taiwan R. O. C.
<a href="http://www.pulseeng.com">www.pulseeng.com</a> Tel: 858 674 8100 Fax: 858 674 8262	Tel: 49 7032 7806 0 Fax: 49 7032 7806 135	TEL: 86 755 33966678 FAX: 86 755 33966700	Tel: 86 21 54643211/2 Fax: 86 21 54643210	TEL: 65 6287 8998 FAX: 65 6280 0080	Tel: 886 3 4643715 Fax: 886 3 4641911

Performance warranty of products offered on this data sheet is limited to the parameters specified. Data is subject to change without notice. Other brand and product names mentioned herein may be trademarks or registered trademarks of their respective owners. © Copyright, 2010. Pulse Engineering, Inc. All rights reserved.