



Technical data // **THR02SL- 182 -A1 TR**

Tact switch

Rectangle 4.6 x 2.58 mm SMT



Mechanical Data

Fixation mode	SMT
Type	vertical
Actuation direction	horizontal
Travel	0.2 mm ± 0.1 mm
Length	4.6 mm
Height	3.35 mm
Perm. ambient temperature	-40 °C ... +85 °C
Perm. storage temperature	max. 30 °C
Reflow soldering	max. 260 °C

Electrical Data

Rating	12.0 VDC / 50mA
Contact resistance	< 100.0 mOhm
Insulation resistance	> 100.0 MOhm
Test voltage	250.0 VAC / 1.0 min

Material

Actuator	PA46
Pin plating	Bronze, Ag plated
Metal cover	Brass (C2680), Ag plated
Dome	Stainless steel (SUS), Ag plated



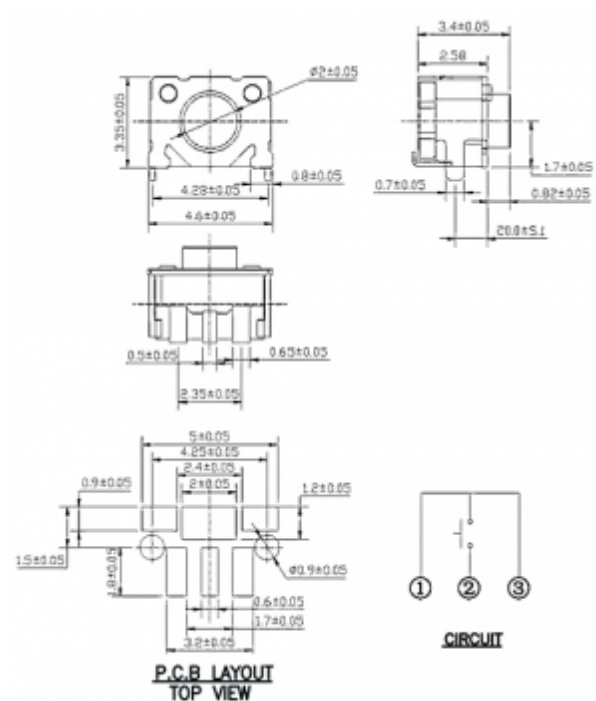
Technical data

// THR02SL- 182 -A1 TR

Tact switch

Rectangle 4.6 x 2.58 mm SMT

Technical Drawing



Configuration

Actuation force Life time	180gf 100.000 cycles
Knob material Color	PA46 Black
Packing	Tape packing