

## System adapter - MINI MCR-2-V8-FLK 16 - 2901993

Please be informed that the data shown in this PDF Document is generated from our Online Catalog. Please find the complete data in the user's documentation. Our General Terms of Use for Downloads are valid (<http://phoenixcontact.com/download>)




Eight MINI Analog Pro signal conditioners and measuring transducers can be connected to a controller with minimal cabling effort and without any errors using system adapters and system cabling.

### Product Description

Thanks to its innovative plug-in concept, the system adapter offers a time-saving wiring solution. Eight MINI Analog Pro-signal converters are easily connected to a control unit using pluggable system cabling. This leads to a considerable reduction in cabling effort and the risk of wiring errors, compared to PLC-side single-conductor wiring.



### Key Commercial Data

Packing unit	1 pc
GTIN	 4 046356 651813
GTIN	4046356651813

### Technical data

#### Dimensions

Width	51.1 mm
Height	104.1 mm
Depth	56.8 mm

#### Ambient conditions

Ambient temperature (operation)	-40 °C ... 70 °C
Ambient temperature (storage/transport)	-40 °C ... 70 °C
Maximum altitude	4000 m
Permissible humidity (operation)	5 % ... 95 %
Permissible humidity (storage/transport)	5 % ... 95 %
Degree of protection	IP20 (Finger safety)

#### Input data

Number of inputs	8
------------------	---

# System adapter - MINI MCR-2-V8-FLK 16 - 2901993

## Technical data

### Input data

Configurable/programmable	no
Maximum input current	4 A (500 mA per ch.)
Maximum input voltage	30 V

### Output data

Number of outputs	8
Configurable/programmable	no

### General

Degree of protection	IP20 (Finger safety)
Overvoltage category	II
Degree of pollution	2
Rated insulation voltage	50 V <sub>rms</sub>
Housing material	PBT 7% GF V0
Mounting position	any

### Connection data

Connection name	Output
Connection method	IDC/FLK pin strip
Number of positions	16
Pitch	2.54 mm

### Standards and Regulations

Conformance	CE-compliant
ATEX	# II 3 G Ex nA IIC Gc U
UL, USA/Canada	UL 61010 Listed
	Class I, Div. 2, Groups A, B, C, D T5
	Class I, Zone 2, Group IIC T5
GL	GL applied for

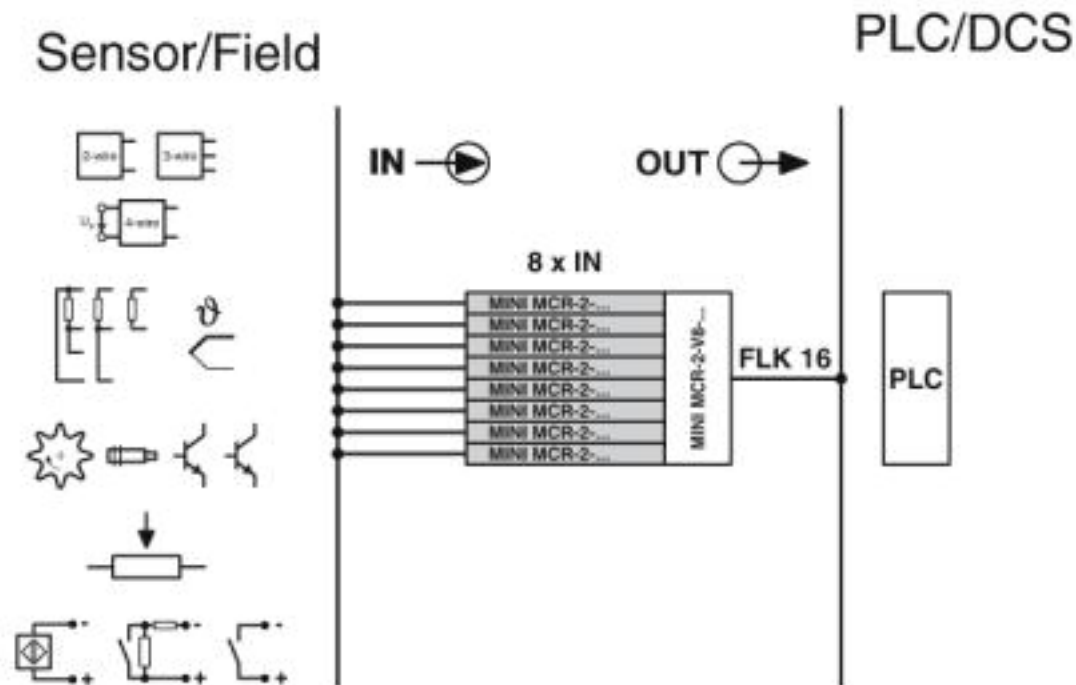
### Environmental Product Compliance

China RoHS	Environmentally Friendly Use Period = 50 years
	For details about hazardous substances go to tab "Downloads", Category "Manufacturer's declaration"

## Drawings

# System adapter - MINI MCR-2-V8-FLK 16 - 2901993

Block diagram



## Classifications

eCl@ss

eCl@ss 10.0.1	27141152
eCl@ss 4.0	24010400
eCl@ss 4.1	24010400
eCl@ss 5.0	19030300
eCl@ss 5.1	19030300
eCl@ss 6.0	27061800
eCl@ss 7.0	27141152
eCl@ss 8.0	27141152
eCl@ss 9.0	27141152

ETIM

ETIM 5.0	EC002780
ETIM 6.0	EC002780
ETIM 7.0	EC002780

UNSPSC

UNSPSC 6.01	26121604
UNSPSC 7.0901	26121604
UNSPSC 11	26121604
UNSPSC 12.01	26121604
UNSPSC 13.2	26121620

# System adapter - MINI MCR-2-V8-FLK 16 - 2901993

## Classifications

### UNSPSC

UNSPSC 18.0	39121432
UNSPSC 19.0	39121432
UNSPSC 20.0	39121432
UNSPSC 21.0	39121432

## Approvals

### Approvals

#### Approvals

UL Listed / cUL Listed / EAC / cULus Listed

#### Ex Approvals

ATEX / UL Listed / cUL Listed / cULus Listed

### Approval details

UL Listed		<a href="http://database.ul.com/cgi-bin/XYV/template/LISEXT/1FRAME/index.htm">http://database.ul.com/cgi-bin/XYV/template/LISEXT/1FRAME/index.htm</a>	FILE E 238705
-----------	--	---	---------------

cUL Listed		<a href="http://database.ul.com/cgi-bin/XYV/template/LISEXT/1FRAME/index.htm">http://database.ul.com/cgi-bin/XYV/template/LISEXT/1FRAME/index.htm</a>	FILE E 238705
------------	--	---	---------------

EAC		RU C- DE.A*30.B.01742
-----	--	--------------------------

cULus Listed	
--------------	--

## Accessories

### Accessories

### Device marking

## System adapter - MINI MCR-2-V8-FLK 16 - 2901993

### Accessories

#### Marker for end clamp - UCT-EM (30X5) - 0801505



Marker for end clamp, Sheet, white, unlabeled, can be labeled with: TOPMARK NEO, TOPMARK LASER, BLUEMARK ID COLOR, BLUEMARK ID, BLUEMARK CLED, THERMOMARK PRIME, THERMOMARK CARD 2.0, THERMOMARK CARD, mounting type: snapped into marker carrier, lettering field size: 30 x 5 mm, Number of individual labels: 24

---

#### Marker for end clamp - UCT-EM (30X5) YE - 0830340



Marker for end clamp, Sheet, yellow, unlabeled, can be labeled with: TOPMARK NEO, TOPMARK LASER, BLUEMARK ID COLOR, BLUEMARK ID, BLUEMARK CLED, THERMOMARK PRIME, THERMOMARK CARD 2.0, THERMOMARK CARD, mounting type: snapped into marker carrier, lettering field size: 30 x 5 mm, Number of individual labels: 24

---

#### Plastic label - UC-EMLP (15X5) - 0819301



Plastic label, Sheet, white, unlabeled, can be labeled with: BLUEMARK ID COLOR, BLUEMARK ID, BLUEMARK CLED, PLOTMARK, CMS-P1-PLOTTER, mounting type: adhesive, lettering field size: 15 x 5 mm, Number of individual labels: 10

---

#### Plastic label - UC-EMLP (15X5) YE - 0822615



Plastic label, Sheet, yellow, unlabeled, can be labeled with: BLUEMARK ID COLOR, BLUEMARK ID, BLUEMARK CLED, PLOTMARK, CMS-P1-PLOTTER, mounting type: adhesive, lettering field size: 15 x 5 mm, Number of individual labels: 10

---

#### Plastic label - UC-EMLP (15X5) SR - 0828095



Plastic label, Sheet, silver, unlabeled, can be labeled with: BLUEMARK ID COLOR, BLUEMARK ID, BLUEMARK CLED, PLOTMARK, CMS-P1-PLOTTER, mounting type: adhesive, lettering field size: 15 x 5 mm, Number of individual labels: 10

---

## System adapter - MINI MCR-2-V8-FLK 16 - 2901993

### Accessories

#### Plastic label - US-EMLP (15X5) - 0828790



Plastic label, Card, white, unlabeled, can be labeled with: BLUEMARK ID COLOR, BLUEMARK ID, THERMOMARK PRIME, THERMOMARK CARD 2.0, THERMOMARK CARD, mounting type: adhesive, lettering field size: 15 x 5 mm, Number of individual labels: 189

---

#### Plastic label - US-EMLP (15X5) YE - 0828873



Plastic label, Card, yellow, unlabeled, can be labeled with: BLUEMARK ID COLOR, BLUEMARK ID, THERMOMARK PRIME, THERMOMARK CARD 2.0, THERMOMARK CARD, mounting type: adhesive, lettering field size: 15 x 5 mm, Number of individual labels: 189

---

#### Plastic label - US-EMLP (15X5) SR - 0828874



Plastic label, Card, silver, unlabeled, can be labeled with: BLUEMARK ID COLOR, BLUEMARK ID, THERMOMARK PRIME, THERMOMARK CARD 2.0, THERMOMARK CARD, mounting type: adhesive, lettering field size: 15 x 5 mm, Number of individual labels: 189

---

### DIN rail connector

#### DIN rail bus connectors - ME 6,2 TBUS-2 1,5/5-ST-3,81 GY - 2695439



DIN rail connector (TBUS), 5-pos., for bridging the supply voltage, can be snapped onto NS 35/... DIN rails according to EN 60715

---

#### DIN rail bus connectors - ME 6,2 TBUS-2 1,5/5-ST-3,81 GN - 2869728



DIN rail connector for DIN rail mounting. Universal for TBUS housing. Gold-plated contacts, 5-pos.

---

### Evaluation unit

## System adapter - MINI MCR-2-V8-FLK 16 - 2901993

### Accessories

Monitoring module - MINI MCR-2-FM-RC - 2904504



Fault monitoring module with plug-in connection technology for evaluating and reporting group errors from the FM system and for monitoring the supply voltages. Error message via N/C contact. Screw connection technology, standard configuration

---

Monitoring module - MINI MCR-2-FM-RC-PT - 2904508



Fault monitoring module with plug-in connection technology for evaluating and reporting group errors from the FM system and for monitoring the supply voltages. Error message via N/C contact. Push-in connection technology, standard configuration

---

Monitoring module - MINI MCR-2-FM-RC - 2904504



Fault monitoring module with plug-in connection technology for evaluating and reporting group errors from the FM system and for monitoring the supply voltages. Error message via N/C contact. Screw connection technology, standard configuration

---

Monitoring module - MINI MCR-2-FM-RC-PT - 2904508



Fault monitoring module with plug-in connection technology for evaluating and reporting group errors from the FM system and for monitoring the supply voltages. Error message via N/C contact. Push-in connection technology, standard configuration

---

### Feed-through terminal block

Feed-through terminal block - MINI MCR-2-TB - 2902068



Feed-through terminal block with plug-in connection technology for the transmission of signals already electrically isolated. Screw connection technology

---

## System adapter - MINI MCR-2-V8-FLK 16 - 2901993

### Accessories

Feed-through terminal block - MINI MCR-2-TB - 2902068



Feed-through terminal block with plug-in connection technology for the transmission of signals already electrically isolated. Screw connection technology

---

### Frequency transducer

Frequency transducer - MINI MCR-2-UI-FRO-PT - 2902032



Analog frequency transducer with limit value functionality and plug-in connection technology for converting standard signals into frequency or PWM signals. Configurable via DIP switch or software. Push-in connection technology, standard configuration.

---

Frequency transducer - MINI MCR-2-UI-FRO - 2902031



Analog frequency transducer with limit value functionality and plug-in connection technology for converting standard signals into frequency or PWM signals. Configurable via DIP switch or software. Screw connection technology, standard configuration.

---

Frequency transducer - MINI MCR-2-UI-FRO-PT-C - 2906202



Analog frequency transducer with limit value functionality and plug-in connection technology for converting standard signals into frequency or PWM signals. Configurable via DIP switch or software. Push-in connection technology, order configuration.

---

Frequency transducer - MINI MCR-2-UI-FRO-C - 2906201



Analog frequency transducer with limit value functionality and plug-in connection technology for converting standard signals into frequency or PWM signals. Configurable via DIP switch or software. Screw connection technology, order configuration.

---



## System adapter - MINI MCR-2-V8-FLK 16 - 2901993

### Accessories

#### Frequency transducer - MINI MCR-2-F-UI - 2902056



Universally configurable frequency transducer for converting frequency and PWM signals into standard signals. Sensor voltages greater than 8.2 V DC are possible in combination with MINI MCR-2-SPS 1033202. Screw connection technology.

---

#### Frequency transducer - MINI MCR-2-F-UI-PT - 2902058



Universally configurable frequency transducer for converting frequency and PWM signals into standard signals. Sensor voltages greater than 8.2 V DC are possible in combination with MINI MCR-2-SPS-PT 1033201. Push-in connection technology.

---

### Front adapter

#### Front adapters - FLKM 16-PA-S300/MINI-MCR - 2314749



VARIOFACE front adapter, for SIMATIC® S7-300, only in connection with MINI MCR-2-V8-FLK 16. Connectable cards: 331-7KF02-0AB0, 331-7KB02-0AB0 and 331-7TF01-0AB01.

---

#### Front adapters - CABLE-40/2FLK16/ 2,0M/YUC - 2321334



Cast Yokogawa front adapter with attached round cable and an injection-molded 40-pos. socket strip for the connection of 2 x 8 channels on the field side. Cable length: 2.0 m

---

#### Front adapters - CABLE-40/2FLK16/ 4,0M/YUC - 2321347



Cast Yokogawa front adapter with attached round cable and an injection-molded 40-pos. socket strip for the connection of 2 x 8 channels on the field side. Cable length: 4.0 m

## System adapter - MINI MCR-2-V8-FLK 16 - 2901993

### Accessories

Front adapters - CABLE-40/2FLK16/10,0M/YUC - 2321350



Cast Yokogawa front adapter with attached round cable and an injection-molded 40-pos. socket strip for the connection of 2 x 8 channels on the field side. Cable length: 10.0 m

---

Front adapters - CABLE-40/2FLK16/15,0M/YUC - 2321376



Cast Yokogawa front adapter with attached round cable and an injection-molded 40-pos. socket strip for the connection of 2 x 8 channels on the field side. Cable length: 15.0 m

---

Front adapters - CABLE-40/2FLK16/20,0M/YUC - 2321363



Cast Yokogawa front adapter with attached round cable and an injection-molded 40-pos. socket strip for the connection of 2 x 8 channels on the field side. Cable length: 20.0 m

---

### Isolating switch transf.

Isolation amplifier - MINI MCR-2-NAM-2RO-PT - 2902005



Configurable NAMUR signal conditioner with plug-in connection technology for proximity sensors, floating switch contacts, and switch contacts with resistance circuit. 2 transistor outputs. Configurable via DIP switch. Push-in connection technology.

---

Isolation amplifier - MINI MCR-2-NAM-2RO - 2902004



Configurable NAMUR signal conditioner with plug-in connection technology for proximity sensors, floating switch contacts, and switch contacts with resistance circuit. 2 transistor outputs, configurable via DIP switch. Screw connection technology.

---

### Labeled device marker

## System adapter - MINI MCR-2-V8-FLK 16 - 2901993

### Accessories

Marker for end clamp - UCT-EM (30X5) CUS - 0801589



Marker for end clamp, can be ordered: by sheet, white, labeled according to customer specifications, mounting type: snapped into marker carrier, lettering field size: 30 x 5 mm, Number of individual labels: 24

---

Marker for end clamp - UCT-EM (30X5) YE CUS - 0830348



Marker for end clamp, can be ordered: by sheet, yellow, labeled according to customer specifications, mounting type: snapped into marker carrier, lettering field size: 30 x 5 mm, Number of individual labels: 24

---

Plastic label - UC-EMLP (15X5) CUS - 0824550



Plastic label, can be ordered: by sheet, white, labeled according to customer specifications, mounting type: adhesive, lettering field size: 15 x 5 mm

---

Plastic label - UC-EMLP (15X5) YE CUS - 0824551



Plastic label, can be ordered: by sheet, yellow, labeled according to customer specifications, mounting type: adhesive, lettering field size: 15 x 5 mm

---

Plastic label - UC-EMLP (15X5) SR CUS - 0828099



Plastic label, can be ordered: by sheet, silver, labeled according to customer specifications, mounting type: adhesive, lettering field size: 15 x 5 mm, Number of individual labels: 10

---

## System adapter - MINI MCR-2-V8-FLK 16 - 2901993

### Accessories

#### Plastic label - US-EMLP (15X5) CUS - 0830076



Plastic label, can be ordered: By card, white, labeled according to customer specifications, mounting type: adhesive, lettering field size: 15 x 5 mm, Number of individual labels: 189

---

#### Plastic label - US-EMLP (15X5) YE CUS - 0830077



Plastic label, can be ordered: By card, yellow, labeled according to customer specifications, mounting type: adhesive, lettering field size: 15 x 5 mm, Number of individual labels: 189

---

#### Plastic label - US-EMLP (15X5) SR CUS - 0830078



Plastic label, can be ordered: By card, silver, labeled according to customer specifications, mounting type: adhesive, lettering field size: 15 x 5 mm, Number of individual labels: 189

---

### Potiposition transducer

#### Resistance/potiposition transducer - MINI MCR-2-POT-UI-PT - 2902017



Configurable potiposition transducer with plug-in connection technology for connecting potentiometers from 0  $\Omega$  ... 100  $\Omega$  to 0 k $\Omega$  ... 100 k $\Omega$ . Configurable via DIP switch or software. push-in connection technology, standard configuration

---

#### Resistance/potiposition transducer - MINI MCR-2-POT-UI - 2902016



Configurable potiposition transducer with plug-in connection technology for connecting potentiometers from 0  $\Omega$  ... 100  $\Omega$  to 0 k $\Omega$  ... 100 k $\Omega$ . Configurable via DIP switch or software. Screw connection technology, standard configuration

## System adapter - MINI MCR-2-V8-FLK 16 - 2901993

### Accessories

Resistance/potiposition transducer - MINI MCR-2-POT-UI-PT-C - 2905006



Configurable potiposition transducer with plug-in connection technology for connecting potentiometers from 0  $\Omega$  ... 100  $\Omega$  to 0 k $\Omega$  ... 100 k $\Omega$ . Configurable via DIP switch or software. Push-in connection technology, order configuration

Resistance/potiposition transducer - MINI MCR-2-POT-UI-C - 2905005



Configurable potiposition transducer with plug-in connection technology for connecting potentiometers from 0  $\Omega$  ... 100  $\Omega$  to 0 k $\Omega$  ... 100 k $\Omega$ . Configurable via DIP switch or software. Screw connection technology, order configuration

### Power module

Power terminal block - MINI MCR-2-PTB - 2902066



Power terminal with plug-in connection technology for delivering the supply voltage to the DIN rail connector. Monitoring of the supply voltages in combination with the fault monitoring module. Screw connection technology

Power terminal block - MINI MCR-2-PTB-PT - 2902067



Power terminal with plug-in connection technology for delivering the supply voltage to the DIN rail connector. Monitoring of the supply voltages in combination with the fault monitoring module. Push-in connection technology

### Programming adapter

Adapter - IFS-BT-PROG-ADAPTER - 2905872



Bluetooth adapter with micro USB and S-PORT interface for wireless communication with the MINI Analog, MINI Analog Pro, MACX Analog, INTERFACE system gateways, and PLC logic device series.

## System adapter - MINI MCR-2-V8-FLK 16 - 2901993

### Accessories

Programming adapter - IFS-USB-PROG-ADAPTER - 2811271



Programming adapter with USB interface, for programming with software. The USB driver is included in the software solutions for the products to be programmed, such as measuring transducers or motor managers.

Programming adapter - TWN4 MIFARE NFC USB ADAPTER - 2909681



Near Field Communication (NFC) programming adapter with USB interface for the wireless configuration of NFC-capable products from PHOENIX CONTACT with software. No separate USB driver is required.

### Repeater power supplies

Repeater power supply - MINI MCR-2-RPSS-I-I-PT - 2902015



3-way repeater power supply with plug-in connection technology. HART-transparent, input signal 0(4)...20 mA, output signal 0(4)...20 mA. The device can be used in both isolator and repeater power supply operation. push-in connection technology

Repeater power supply - MINI MCR-2-RPSS-I-I - 2902014



3-way repeater power supply with plug-in connection technology. HART-transparent, input signal 0(4)...20 mA, output signal 0(4)...20 mA. The device can be used in both isolator and repeater power supply operation. Screw connection technology

Repeater power supply - MINI MCR-2-RPSS-I-2I-PT - 2905629



4-way power supply doubler with plug-in connection technology. HART-transparent, 0(4) mA ... 20 mA input signal, 0(4) mA ... 20 mA output signals. The device can be used in both signal and power supply doubler modes. Push-in connection technology.

## System adapter - MINI MCR-2-V8-FLK 16 - 2901993

### Accessories

Repeater power supply - MINI MCR-2-RPSS-I-2I - 2905628



4-way power supply doubler with plug-in connection technology. HART-transparent, 0(4) mA ... 20 mA input signal, 0(4) mA ... 20 mA output signals. The device can be used in both signal and power supply doubler modes. Screw connection technology.

---

### Signal conditioner

Signal conditioner - MINI MCR-2-UNI-UI-UIRO-PT - 2902028



Universally configurable 4-way signal conditioner, with switching output and plug-in connection technology for the electrical isolation of analog signals. Configurable via DIP switch or software. Push-in connection technology, standard configuration.

---

Signal conditioner - MINI MCR-2-UNI-UI-UIRO - 2902026



Universally configurable 4-way signal conditioner, with switching output and plug-in connection technology for the electrical isolation of analog signals. Configurable via DIP switch or software. Screw connection technology, standard configuration.

---

Signal conditioner - MINI MCR-2-UNI-UI-UIRO-PT-C - 2902027



Universally configurable 4-way signal conditioner, with switching output and plug-in connection technology for the electrical isolation of analog signals. Configurable via DIP switch or software. Push-in connection technology, order configuration.

---

Signal conditioner - MINI MCR-2-UNI-UI-UIRO-C - 2902024



Universally configurable 4-way signal conditioner, with switching output and plug-in connection technology for the electrical isolation of analog signals. Configurable via DIP switch or software. Screw connection technology, order configuration.

---

## System adapter - MINI MCR-2-V8-FLK 16 - 2901993

### Accessories

#### Signal conditioner - MINI MCR-2-UI-UI-PT - 2902040



3-way signal conditioner with plug-in connection technology and calibrated measuring range changeover, for the electrical isolation of unipolar and bipolar analog signals. Input/output configurable via DIP switch. push-in connection technology, standard configuration.

---

#### Signal conditioner - MINI MCR-2-UI-UI - 2902037



3-way signal conditioner with plug-in connection technology and calibrated measuring range changeover for the electrical isolation of unipolar and bipolar analog signals. Input/output configurable via DIP switch. Screw connection technology, standard configuration.

---

#### Signal conditioner - MINI MCR-2-UI-UI-PT-C - 2902039



3-way signal conditioner with plug-in connection technology and calibrated measuring range changeover for the electrical isolation of unipolar and bipolar analog signals. Input/output configurable via DIP switch. push-in connection technology, order configuration.

---

#### Signal conditioner - MINI MCR-2-UI-UI-C - 2902036



3-way signal conditioner with plug-in connection technology and calibrated measuring range changeover for the electrical isolation of unipolar and bipolar analog signals. Input/output configurable via DIP switch. Screw connection technology, order configuration.

---

#### Signal conditioner - MINI MCR-2-U-UI-PT - 2902021



3-way signal conditioner, with configurable input/output, for electrical isolation and conversion of analog signals in the mV and V range, unipolar as well as bipolar. Push-in connection technology, standard configuration.

---



## System adapter - MINI MCR-2-V8-FLK 16 - 2901993

### Accessories

#### Signal conditioner - MINI MCR-2-U-UI - 2902019



3-way signal conditioner, with configurable input/output, for electrical isolation and conversion of analog signals in the mV and V range, unipolar as well as bipolar. Screw connection technology, standard configuration.

---

#### Signal conditioner - MINI MCR-2-U-I0-PT - 2902023



3-way signal conditioner with plug-in connection technology for the electrical isolation of analog signals. Input signal: 0 ... 10 V, output signal: 0 ... 20 mA, push-in connection technology

---

#### Signal conditioner - MINI MCR-2-U-I0 - 2902022



3-way signal conditioner with plug-in connection technology for the electrical isolation of analog signals. Input signal: 0 ... 10 V, output signal: 0 ... 20 mA, screw connection technology

---

#### Signal conditioner - MINI MCR-2-U-I4-PT - 2902030



3-way signal conditioner with plug-in connection technology for the electrical isolation of analog signals. Input signal: 0 ... 10 V, output signal: 4 ... 20 mA, push-in connection technology

---

#### Signal conditioner - MINI MCR-2-U-I4 - 2902029



3-way signal conditioner with plug-in connection technology for the electrical isolation of analog signals. Input signal: 0 ... 10 V, output signal: 4 ... 20 mA, screw connection technology

---

## System adapter - MINI MCR-2-V8-FLK 16 - 2901993

### Accessories

#### Signal conditioner - MINI MCR-2-I-I-PT - 2901999



3-way signal conditioner with plug-in connection technology for the electrical isolation of analog signals. Input signal: 0(4) mA ... 20 mA, output signal: 0(4) mA ... 20 mA, push-in connection technology.

---

#### Signal conditioner - MINI MCR-2-I-I - 2901998



3-way signal conditioner with plug-in connection technology for the electrical isolation of analog signals. Input signal: 0(4) mA ... 20 mA, output signal: 0(4) mA ... 20 mA, screw connection technology

---

#### Loop-powered isolators - MINI MCR-2-I-I-ILP-PT - 2901995



Single-channel input loop-powered 2-way isolator with plug-in connection technology for the electrical isolation of analog signals. Input signal = output signal: 0(4) mA ... 20 mA. Push-in connection technology.

---

#### Loop-powered isolators - MINI MCR-2-I-I-ILP - 2901994



Single-channel input loop-powered 2-way isolator with plug-in connection technology for the electrical isolation of analog signals. Input signal = output signal: 0(4) mA ... 20 mA. Screw connection technology.

---

### Signal duplicator

#### Signal duplicator - MINI MCR-2-UNI-UI-2UI-PT - 2905028



Universally configurable 4-way signal duplicator, with plug-in connection technology for the electrical isolation and duplication of analog signals. Configurable via DIP switch or software. Push-in connection technology, standard configuration.

---

## System adapter - MINI MCR-2-V8-FLK 16 - 2901993

### Accessories

#### Signal duplicator - MINI MCR-2-UNI-UI-2UI - 2905026



Universally configurable 4-way signal duplicator, with plug-in connection technology for the electrical isolation and duplication of analog signals. Configurable via DIP switch or software. Screw connection technology, standard configuration.

---

#### Signal duplicator - MINI MCR-2-UNI-UI-2UI-PT-C - 2905027



Universally configurable 4-way signal duplicator, with plug-in connection technology for the electrical isolation and duplication of analog signals. Configurable via DIP switch or software. Push-in connection technology, order configuration.

---

#### Signal duplicator - MINI MCR-2-UNI-UI-2UI-C - 2905025



Universally configurable 4-way signal duplicator, with plug-in connection technology for the electrical isolation and duplication of analog signals. Configurable via DIP switch or software. Screw connection technology, order configuration.

---

### System cable

#### Cable - FLK 16/EZ-DR/ 300/KONFEK - 2299330



Round cable set; connection 1: IDC/FLK socket strip (1x 16-position); connection 2: IDC/FLK socket strip (1x 16-position); cable length: 3 m

---

### Temperature transmitter

#### Resistance thermometer measuring transducer - MINI MCR-2-RTD-UI-PT - 2902052



Configurable temperature transducer with plug-in connection technology for connecting 2, 3, and 4-conductor resistance thermometers and resistance-type sensors. Configurable via DIP switch or software. push-in connection technology, standard configuration

---

## System adapter - MINI MCR-2-V8-FLK 16 - 2901993

### Accessories

#### Resistance thermometer measuring transducer - MINI MCR-2-RTD-UI - 2902049



Configurable temperature transducer with plug-in connection technology for connecting 2, 3, and 4-conductor resistance thermometers and resistance-type sensors. Configurable via DIP switch or software. Screw connection technology, standard configuration

---

#### Resistance thermometer measuring transducer - MINI MCR-2-RTD-UI-PT-C - 2902051



Configurable temperature transducer with plug-in connection technology for connecting 2, 3, and 4-conductor resistance thermometers and resistance-type sensors. Configurable via DIP switch or software. push-in connection technology, order configuration

---

#### Resistance thermometer measuring transducer - MINI MCR-2-RTD-UI-C - 2902048



Configurable temperature transducer with plug-in connection technology for connecting 2, 3, and 4-conductor resistance thermometers and resistance-type sensors. Configurable via DIP switch or software. Screw connection technology, order configuration

---

#### Thermocouple measuring transducer - MINI MCR-2-TC-UI-PT - 2905249



Configurable temperature transducer with plug-in connection technology for connecting thermocouples. Configurable via DIP switch or software. Push-in connection technology, standard configuration

---

#### Thermocouple measuring transducer - MINI MCR-2-TC-UI - 2902055



Configurable temperature transducer with plug-in connection technology for connecting thermocouples. Configurable via DIP switch or software. Screw connection technology, standard configuration

---

## System adapter - MINI MCR-2-V8-FLK 16 - 2901993

### Accessories

Thermocouple measuring transducer - MINI MCR-2-TC-UI-PT-C - 2905248



Configurable temperature transducer with plug-in connection technology for connecting thermocouples. Configurable via DIP switch or software. Push-in connection technology, order configuration

---

Thermocouple measuring transducer - MINI MCR-2-TC-UI-C - 2902053



Configurable temperature transducer with plug-in connection technology for connecting thermocouples. Configurable via DIP switch or software. Screw connection technology, order configuration

---

### Terminal marking

Marker strip - SK 5,0 WH:REEL - 0805221



Marker strip, Roll, white, unlabeled, can be labeled with: THERMOMARK ROLL 2.0, THERMOMARK ROLL, THERMOMARK ROLL X1, THERMOMARK ROLLMASTER 300/600, THERMOMARK X1.2, mounting type: adhesive, for terminal block width: 5 mm, lettering field size: continuous x 5 mm, Number of individual labels: 90000

---

### Threshold value switch

Limit value switches - MINI MCR-2-T-REL-PT - 2905633



Universally configurable temperature limit value switch with N/O relay output for the connection of 2, 3, and 4-conductor resistance thermometers and thermocouples. Configurable via DIP switch or software. Push-in connection technology

---

Limit value switches - MINI MCR-2-T-REL - 2905632



Universally configurable temperature limit value switch with N/O relay output for the connection of 2, 3, and 4-conductor resistance thermometers and thermocouples. Configurable via DIP switch or software, screw connection technology

---

---

Phoenix Contact 2020 © - all rights reserved  
<http://www.phoenixcontact.com>

PHOENIX CONTACT GmbH & Co. KG  
Flachsmarktstr. 8  
32825 Blomberg  
Germany  
Tel. +49 5235 300  
Fax +49 5235 3 41200  
<http://www.phoenixcontact.com>