

Signal conditioner - MINI MCR-SL-I-I-SP - 2864723

Please be informed that the data shown in this PDF Document is generated from our Online Catalog. Please find the complete data in the user's documentation. Our General Terms of Use for Downloads are valid (<http://phoenixcontact.com/download>)



MCR 3-way signal conditioner, for electrical isolation of analog signals, with spring-cage connection, input signal: 0...20 mA / 4...20 mA, output signal: 0...20 mA / 4...20 mA. Replacement part: 2901999 MINI MCR-2-I-I-PT.

Your advantages

- ✓ Power supply possible via the foot element (TBUS)
- ✓ Entry-level alternative to configurable signal conditioners
- ✓ Low power consumption
- ✓ 3-way isolation
- ✓ Highly-compact isolating amplifier for electrical isolation, conversion, amplification, and filtering of standard analog signals
- ✓ Fixed signal combinations



Key Commercial Data

| | |
|--------------|---------------|
| Packing unit | 1 pc |
| GTIN | |
| GTIN | 4017918974923 |

Technical data

Dimensions

| | |
|--------|----------|
| Width | 6.2 mm |
| Height | 93.1 mm |
| Depth | 102.5 mm |

Ambient conditions

| | |
|---|---|
| Ambient temperature (operation) | -20 °C ... 65 °C |
| Ambient temperature (storage/transport) | -40 °C ... 85 °C |
| Degree of protection | IP20 |
| Noise immunity | EN 61000-6-2 When being exposed to interference, there may be minimal deviations. |

Input data

Signal conditioner - MINI MCR-SL-I-I-SP - 2864723

Technical data

Input data

| | |
|--------------------------------|----------------|
| Number of inputs | 1 |
| Configurable/programmable | no |
| Current input signal | 0 mA ... 20 mA |
| | 4 mA ... 20 mA |
| Max. input current | 50 mA |
| Input resistance current input | approx. 50 Ω |

Output data

| | |
|---------------------------------|----------------------------------|
| Number of outputs | 1 |
| Configurable/programmable | no |
| Current output signal | 0 mA ... 20 mA |
| | 4 mA ... 20 mA |
| Max. output current | 28 mA |
| Load/output load current output | < 500 Ω (at 20 mA) |
| Ripple | < 20 mV _{PP} (at 500 Ω) |

Power supply

| | |
|--------------------------|---|
| Nominal supply voltage | 24 V DC |
| Supply voltage range | 19.2 V DC ... 30 V DC (The DIN rail bus connector (ME 6,2 TBUS-2 1,5/5-ST-3,81 GN, Order No. 2869728) can be used to bridge the supply voltage. It can be snapped onto a 35 mm DIN rail according to EN 60715)) |
| Max. current consumption | < 20 mA |
| Power consumption | < 450 mW |

Connection data

| | |
|----------------------------------|---|
| Connection method | Spring-cage connection |
| Stripping length | 8 mm |
| Conductor cross section solid | 0.2 mm ² ... 2.5 mm ² |
| Conductor cross section flexible | 0.2 mm ² ... 2.5 mm ² |
| Conductor cross section AWG | 24 ... 12 |

General

| | |
|----------------------------------|--|
| No. of channels | 1 |
| Maximum transmission error | ≤ 0.1 % (of final value) |
| Maximum temperature coefficient | < 0.01 %/K |
| Temperature coefficient, typical | < 0.002 %/K |
| Limit frequency (3 dB) | approx. 100 Hz |
| Step response (10-90%) | approx. 3.2 ms |
| Protective circuit | Transient protection |
| Electrical isolation | Basic insulation according to EN 61010 |
| Overvoltage category | II |
| Degree of pollution | 2 |
| Rated insulation voltage | 50 V AC/DC |

Signal conditioner - MINI MCR-SL-I-I-SP - 2864723

Technical data

General

| | |
|--|--|
| Test voltage, input/output/supply | 1.5 kV (50 Hz, 1 min.) |
| Electromagnetic compatibility | Conformance with EMC directive |
| Noise emission | EN 61000-6-4 |
| Noise immunity | EN 61000-6-2 When being exposed to interference, there may be minimal deviations. |
| Color | green |
| Housing material | PBT |
| Mounting position | any |
| Assembly instructions | The T connector can be used to bridge the supply voltage. It can be snapped onto a 35 mm DIN rail according to EN 60715. |
| Conformance | CE-compliant |
| ATEX | # II 3 G Ex nA IIC T4 Gc X |
| UL, USA/Canada | UL 508 Recognized |
| | Class I, Div. 2, Groups A, B, C, D T5 |
| GL | GL EMC 2 D |
| Fire protection for rail vehicles (DIN EN 45545-2) R22 | HL 1 - HL 2 |
| Fire protection for rail vehicles (DIN EN 45545-2) R23 | HL 1 - HL 2 |
| Fire protection for rail vehicles (DIN EN 45545-2) R24 | HL 1 - HL 2 |

EMC data

| | |
|--|--------------------------|
| Designation | Electromagnetic RF field |
| Standards/regulations | EN 61000-4-3 |
| Typical deviation from the measuring range final value | 10 % |
| Designation | Fast transients (burst) |
| Standards/regulations | EN 61000-4-4 |
| Typical deviation from the measuring range final value | 10 % |
| Designation | Conducted interferences |
| Standards/regulations | EN 61000-4-6 |
| Typical deviation from the measuring range final value | 10 % |

Standards and Regulations

| | |
|----------------------------------|--|
| Electromagnetic compatibility | Conformance with EMC directive |
| Noise emission | EN 61000-6-4 |
| Connection in acc. with standard | CUL |
| Designation | Electromagnetic RF field |
| Standards/regulations | EN 61000-4-3 |
| | EN 61000-4-4 |
| Designation | Conducted interferences |
| Standards/regulations | EN 61000-4-6 |
| Electrical isolation | Basic insulation according to EN 61010 |
| Conformance | CE-compliant |
| ATEX | # II 3 G Ex nA IIC T4 Gc X |

Signal conditioner - MINI MCR-SL-I-I-SP - 2864723

Technical data

Standards and Regulations

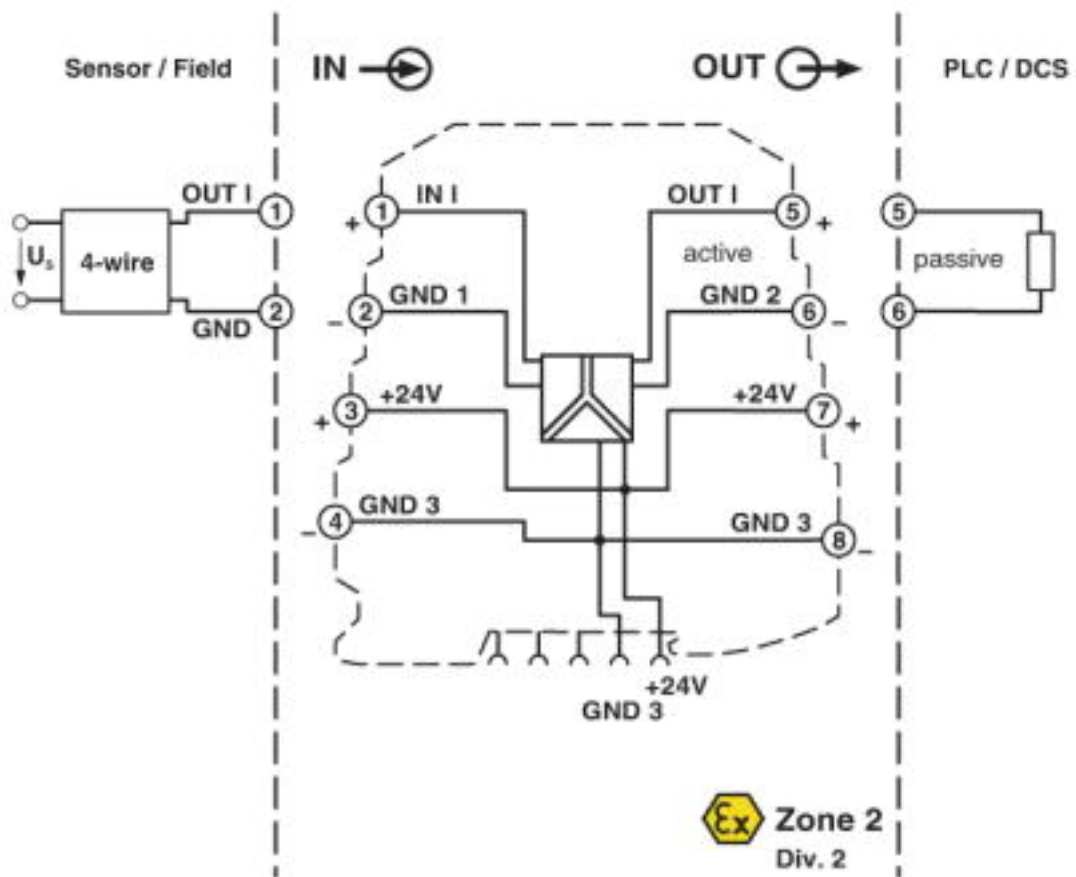
| | |
|----------------|---------------------------------------|
| UL, USA/Canada | UL 508 Recognized |
| | Class I, Div. 2, Groups A, B, C, D T5 |
| GL | GL EMC 2 D |

Environmental Product Compliance

| | |
|------------|---|
| China RoHS | Environmentally Friendly Use Period = 50 years |
| | For details about hazardous substances go to tab "Downloads", Category "Manufacturer's declaration" |

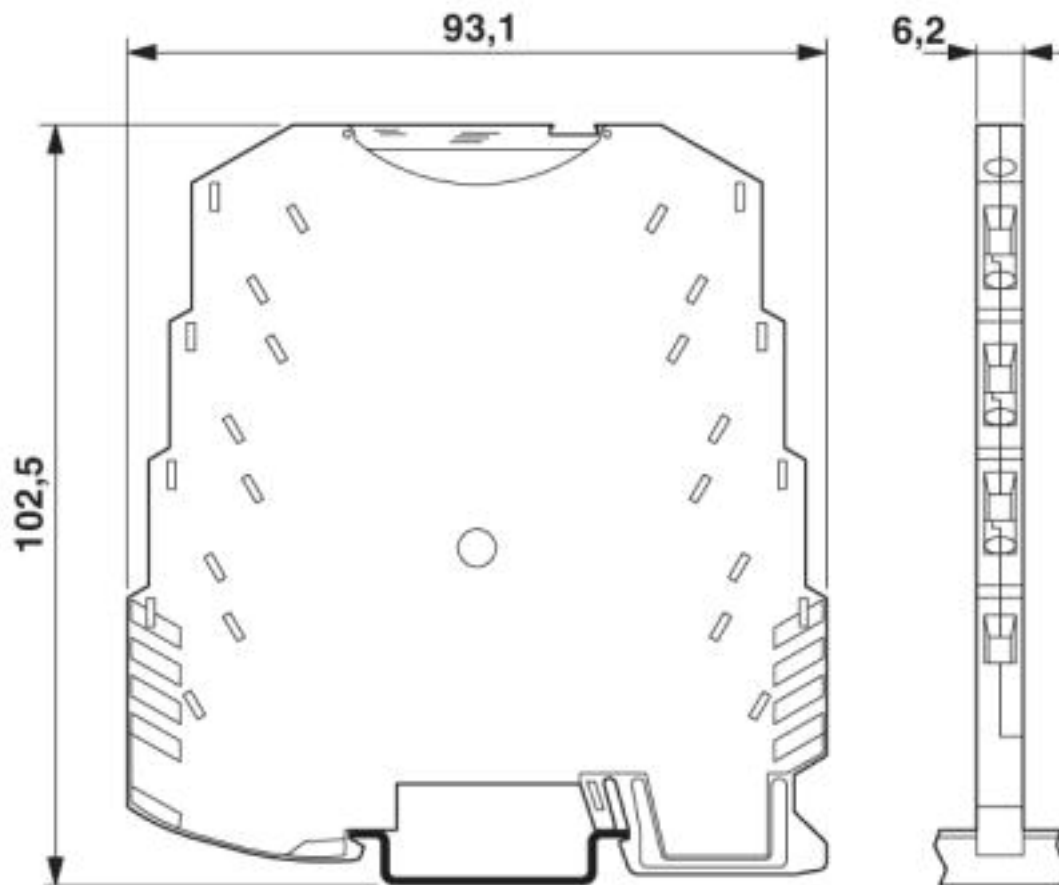
Drawings

Block diagram



Signal conditioner - MINI MCR-SL-I-I-SP - 2864723

Dimensional drawing



Classifications

eCl@ss

| | |
|------------|----------|
| eCl@ss 4.0 | 27210100 |
| eCl@ss 4.1 | 27210100 |
| eCl@ss 5.0 | 27210100 |
| eCl@ss 5.1 | 27210100 |
| eCl@ss 6.0 | 27210100 |
| eCl@ss 7.0 | 27210120 |
| eCl@ss 8.0 | 27210120 |
| eCl@ss 9.0 | 27210120 |

ETIM

| | |
|----------|----------|
| ETIM 4.0 | EC002653 |
| ETIM 5.0 | EC002653 |
| ETIM 6.0 | EC002653 |
| ETIM 7.0 | EC002653 |

Signal conditioner - MINI MCR-SL-I-I-SP - 2864723

Classifications

UNSPSC

| | |
|---------------|----------|
| UNSPSC 6.01 | 30211506 |
| UNSPSC 7.0901 | 39121008 |
| UNSPSC 11 | 39121008 |
| UNSPSC 12.01 | 39121008 |
| UNSPSC 13.2 | 39121008 |
| UNSPSC 19.0 | 39121008 |

Accessories

Accessories

DIN rail connector

DIN rail bus connectors - ME 6,2 TBUS-2 1,5/5-ST-3,81 GN - 2869728



DIN rail connector for DIN rail mounting. Universal for TBUS housing. Gold-plated contacts, 5-pos.

Marking material

Transparent cover - MINI MCR DKL - 2308111



Fold up transparent cover for MINI MCR modules with additional labeling option using insert strips and flat Zack marker strip 6.2 mm

Marking label - MINI MCR-DKL-LABEL - 2810272



Label for extended marking of MINI MCR modules in connection with the MINI MCR-DKL

Power module

Signal conditioner - MINI MCR-SL-I-I-SP - 2864723

Accessories

Power terminal block - MINI MCR-SL-PTB - 2864134



MCR power terminal block for supplying several MINI Analog modules via the DIN rail connector, with screw connection, maximum current consumption of up to 2 A

Power terminal block - MINI MCR-SL-PTB-SP - 2864147



MCR feed-in terminal for supplying several MINI Analog modules via a DIN rail connector, with spring-cage connection, maximum current consumption of up to 2 A. Replacement part: 2902067 MINI MCR-2-PTB-PT.

Power supply

Power supply unit - MINI-SYS-PS-100-240AC/24DC/1.5 - 2866983



Primary-switched MINI POWER supply for DIN rail mounting, input: 1-phase, output: 24 V DC/1.5 A

Power supply unit - MINI-PS-100-240AC/24DC/1.5/EX - 2866653



Primary-switched power supply MINI POWER for DIN rail mounting, input: 1-phase, output: 24 V DC/1,5 A, for the potentially explosive area
