

Control box - FL RUGGED BOX - 2701204

Please be informed that the data shown in this PDF Document is generated from our Online Catalog. Please find the complete data in the user's documentation. Our General Terms of Use for Downloads are valid (<http://phoenixcontact.com/download>)



Control box for robust construction of wireless systems for industrial applications, IP66, 25 x 18 x 13 cm, polycarbonate material, gray, drilled, incl. DIN rail, plugs, and screw connections, without devices



Key Commercial Data

Packing unit	1 pc
GTIN	
GTIN	4046356724128

Technical data

Dimensions

Width	174 mm
Height	254 mm
Depth	137 mm

Ambient conditions

Degree of protection	IP66
Wireless set	Control box (with bore holes incl. sealing plugs, screw connections, and DIN rail)

General

Housing material	Polycarbonate
------------------	---------------

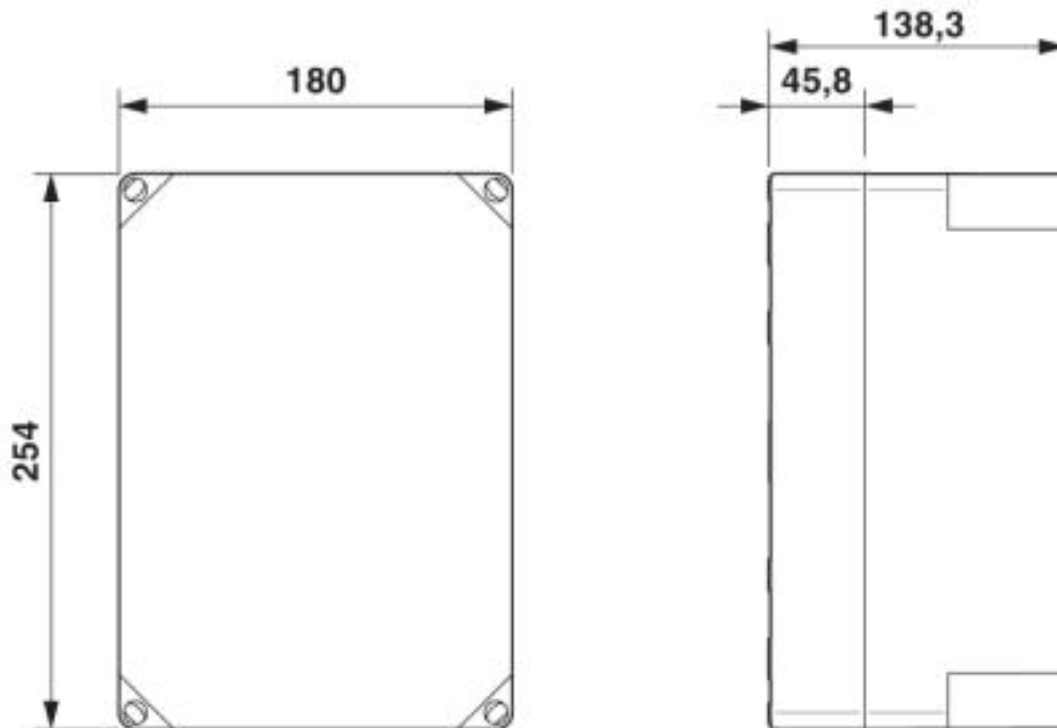
Environmental Product Compliance

China RoHS	For details about hazardous substances go to tab "Downloads", Category "Manufacturer's declaration"
------------	---

Drawings

Control box - FL RUGGED BOX - 2701204

Dimensional drawing



Classifications

eCl@ss

eCl@ss 4.0	27240600
eCl@ss 4.1	27240600
eCl@ss 5.0	27242200
eCl@ss 5.1	27180100
eCl@ss 6.0	27180100
eCl@ss 7.0	27180190
eCl@ss 8.0	27180190
eCl@ss 9.0	27180590

ETIM

ETIM 3.0	EC001423
ETIM 4.0	EC001423
ETIM 5.0	EC002499
ETIM 6.0	EC000261
ETIM 7.0	EC000261

UNSPSC

UNSPSC 6.01	43172710
UNSPSC 7.0901	43223108

Control box - FL RUGGED BOX - 2701204

Classifications

UNSPSC

UNSPSC 11	43172710
UNSPSC 12.01	43223108
UNSPSC 13.2	31261502
UNSPSC 19.0	31261502

Accessories

Accessories

Mounting material

Mounting material - FL RUGGED BOX POLE SET - 2701205



Set for mast mounting of the FL RUGGED BOX housing, incl. screw clamps for masts up to a diameter of 89 mm

WLAN Ethernet device

Wireless module - FL WLAN 5100 - 2700718



ALTERNATIVE- ARTICLE: FL WLAN 5110 (1043193)
WLAN access point, client, WLAN 802.11 a, b, g, n, frequency 2.4 GHz, 5 GHz, IP20, connections: COMBICON for 10 ...36 V DC, 2x RJ45 for LAN, central cluster management, WBM, 802.11i

Phoenix Contact 2020 © - all rights reserved
<http://www.phoenixcontact.com>

PHOENIX CONTACT GmbH & Co. KG
Flachsmarktstr. 8
32825 Blomberg
Germany
Tel. +49 5235 300
Fax +49 5235 3 41200
<http://www.phoenixcontact.com>