

Park position - EV-GBAC-PARK - 1624142

Please be informed that the data shown in this PDF Document is generated from our Online Catalog. Please find the complete data in the user's documentation. Our General Terms of Use for Downloads are valid (<http://phoenixcontact.com/download>)



Park position, Retainer for Vehicle Connector as parking position at charging stations (EVSE), GB/T, GB/T 20234.2, Front mounting


Product Description

Retainer for Vehicle Connector as parking position at charging stations for E-Mobility (EVSE)

Your advantages

- Certified in accordance with IATF 16949:2016 and ISO 9001:2015

Key Commercial Data

| | |
|--------------|---|
| Packing unit | 1 pc |
| GTIN |  4 055626 241586 |
| GTIN | 4055626241586 |

Technical data

Product definition

| | |
|-----------------------|--|
| Application | Retainer for Vehicle Connector as parking position at charging stations (EVSE) |
| Standards/regulations | GB/T 20234.2 |
| Charging standard | GB/T |
| Charging mode | Mode 3 |

Dimensions

| | |
|-----------------|---------------|
| Height | 76.6 mm |
| Width | 76.6 mm |
| Depth | 40 mm |
| Bore dimensions | 60 mm x 60 mm |

Ambient conditions

| | |
|---|------------------|
| Ambient temperature (operation) | -30 °C ... 50 °C |
| Ambient temperature (storage/transport) | -40 °C ... 80 °C |

Park position - EV-GBAC-PARK - 1624142

Technical data

Ambient conditions

| | |
|----------------------|------|
| Degree of protection | IP54 |
|----------------------|------|

Mechanical properties

| | |
|----------------------------------|-----------------------------|
| Vehicle Connector fixing | With actuation lever |
| Removal of the Vehicle Connector | Lever actuation and removal |

Mounting

| | |
|-----------------------------------|--|
| Possible mounting positions | Front mounting |
| Restrictions to mounting position | Only 0 to 45 degree frontal inclination possible, see figure |
| Mounting hole diameter | 7.00 mm (Hexagonal fixing) |

Design

| | |
|---------------------|------------|
| Housing color | black |
| Customer variations | On request |

Material

| | |
|---------------------|---------|
| Material | Plastic |
| Flammability rating | V0 |

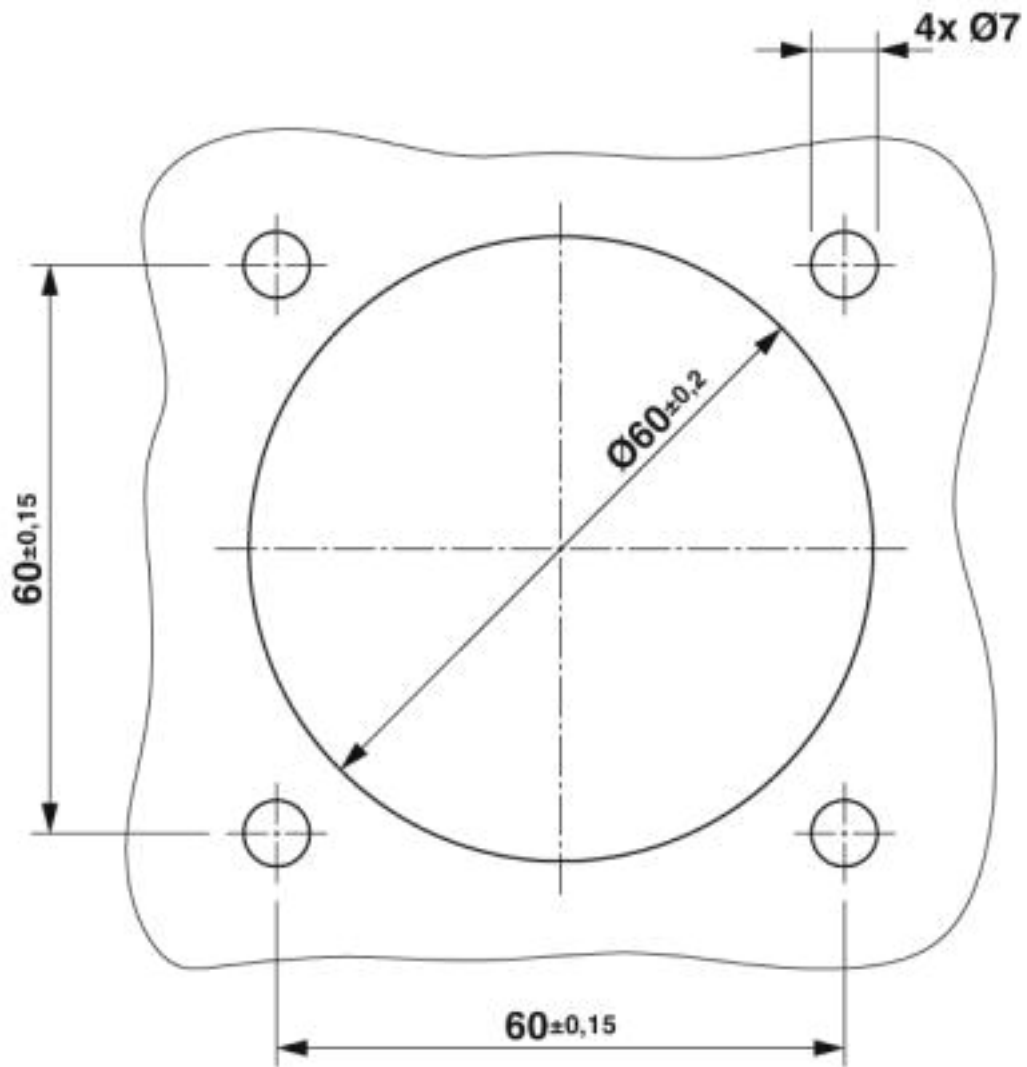
Environmental Product Compliance

| | |
|------------|---|
| China RoHS | Environmentally friendly use period: unlimited = EFUP-e |
| | No hazardous substances above threshold values |

Drawings

Park position - EV-GBAC-PARK - 1624142

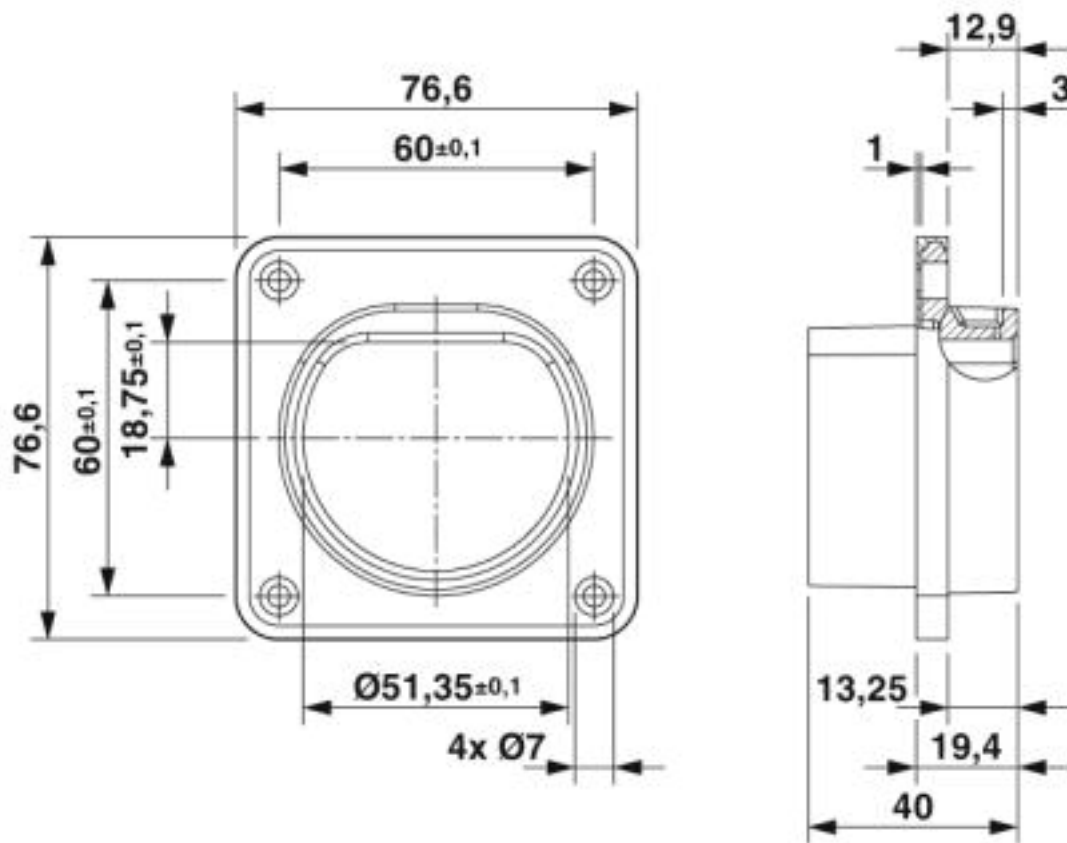
Drilling diagram



Hole image

Park position - EV-GBAC-PARK - 1624142

Dimensional drawing



Dimensional drawing

Classifications

eCl@ss

| | |
|---------------|----------|
| eCl@ss 10.0.1 | 27144792 |
| eCl@ss 4.0 | 27140800 |
| eCl@ss 4.1 | 27140800 |
| eCl@ss 5.0 | 27143400 |
| eCl@ss 5.1 | 27143400 |
| eCl@ss 6.0 | 27143400 |
| eCl@ss 7.0 | 27449001 |
| eCl@ss 8.0 | 27449001 |
| eCl@ss 9.0 | 27144792 |

ETIM

| | |
|----------|----------|
| ETIM 2.0 | EC000241 |
| ETIM 3.0 | EC002061 |
| ETIM 4.0 | EC002061 |
| ETIM 5.0 | EC002839 |

Park position - EV-GBAC-PARK - 1624142

Classifications

ETIM

| | |
|----------|----------|
| ETIM 6.0 | EC002884 |
| ETIM 7.0 | EC002884 |

UNSPSC

| | |
|---------------|----------|
| UNSPSC 6.01 | 30211923 |
| UNSPSC 7.0901 | 39121522 |
| UNSPSC 11 | 39121522 |
| UNSPSC 12.01 | 39121522 |
| UNSPSC 13.2 | 39121522 |
| UNSPSC 18.0 | 39121522 |
| UNSPSC 19.0 | 39121522 |
| UNSPSC 20.0 | 39121522 |
| UNSPSC 21.0 | 39121522 |

Phoenix Contact 2020 © - all rights reserved
<http://www.phoenixcontact.com>

PHOENIX CONTACT GmbH & Co. KG
Flachsmarktstr. 8
32825 Blomberg
Germany
Tel. +49 5235 300
Fax +49 5235 3 41200
<http://www.phoenixcontact.com>