


T distributor - SAC-M12T/2XM12 PBDP - 1458884

Please be informed that the data shown in this PDF Document is generated from our Online Catalog. Please find the complete data in the user's documentation. Our General Terms of Use for Downloads are valid (<http://phoenixcontact.com/download>)

T distributor, PROFIBUS DP (12 Mbps), 4-position, shielded, Plug straight M12, coding: B, on Plug straight M12, coding: B and Socket straight M12, coding: B



Key Commercial Data

Packing unit	1 pc
GTIN	 4 046356 660075
GTIN	4046356660075

Technical data

Ambient conditions

Ambient temperature (operation)	-25 °C ... 80 °C (Plug / socket)
Degree of protection	IP65
	IP67

General

Rated current at 40°C	1 A (Contact 2 and 4)
	4 A (Contact 1 and 3)
Rated voltage	30 V AC
	36 V DC
Number of positions	4
Insulation resistance	≥ 1 GΩ
Coding	B-coded
Standards/regulations	M12 connector IEC 61076-2-101
Signal type/category	PROFIBUS DP, 12 Mbps
Status display	No
Overvoltage category	II
Degree of pollution	3
Test voltage	1 kV

T distributor - SAC-M12T/2XM12 PBDP - 1458884

Technical data

General

Insertion/withdrawal cycles	≥ 100
Torque	0.4 Nm (M12 connector)
	0.6 Nm ... 0.8 Nm (Mounting screw)

Material

Flammability rating according to UL 94	V0
Contact material	CuSn
Contact surface material	Ni/Au
Contact carrier material	PUR
Material of grip body	PUR
Material, knurls	Nickel-plated brass
Sealing material	Viton

Standards and Regulations

Standards/specifications	M12 connector IEC 61076-2-101
Flammability rating according to UL 94	V0

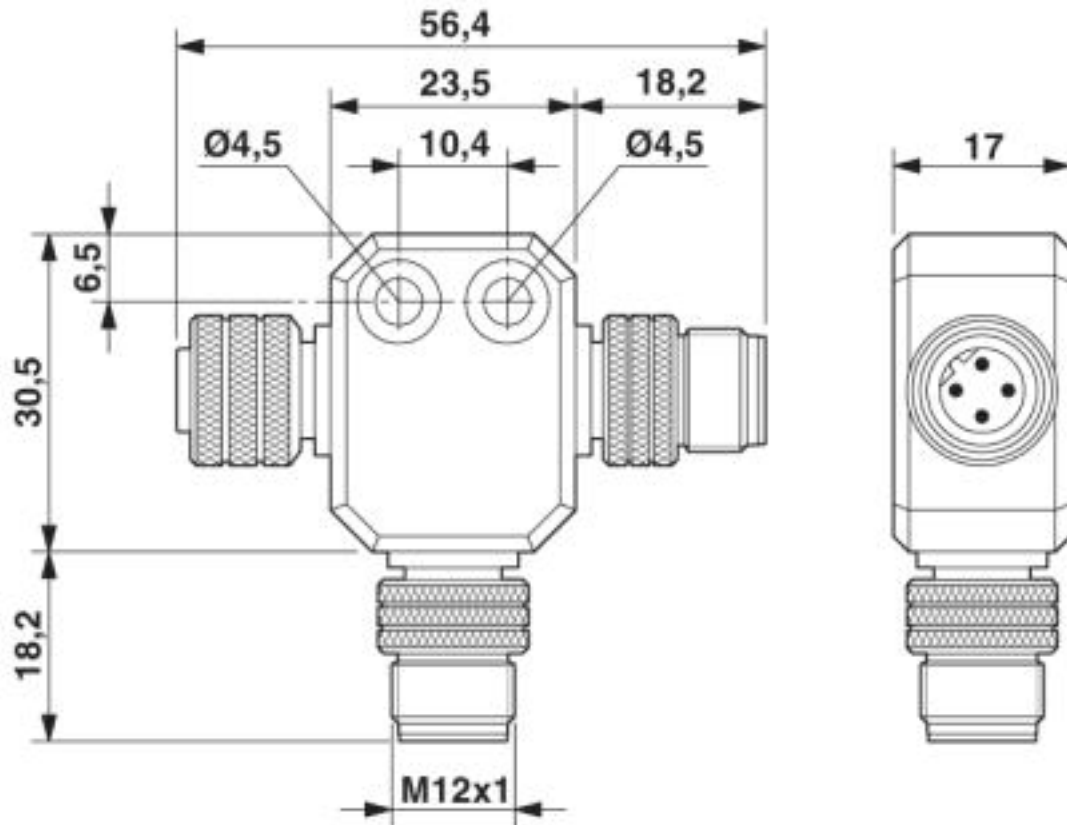
Environmental Product Compliance

REACH SVHC	Lead 7439-92-1
China RoHS	Environmentally Friendly Use Period = 50 years
	For details about hazardous substances go to tab "Downloads", Category "Manufacturer's declaration"

Drawings

T distributor - SAC-M12T/2XM12 PBDP - 1458884

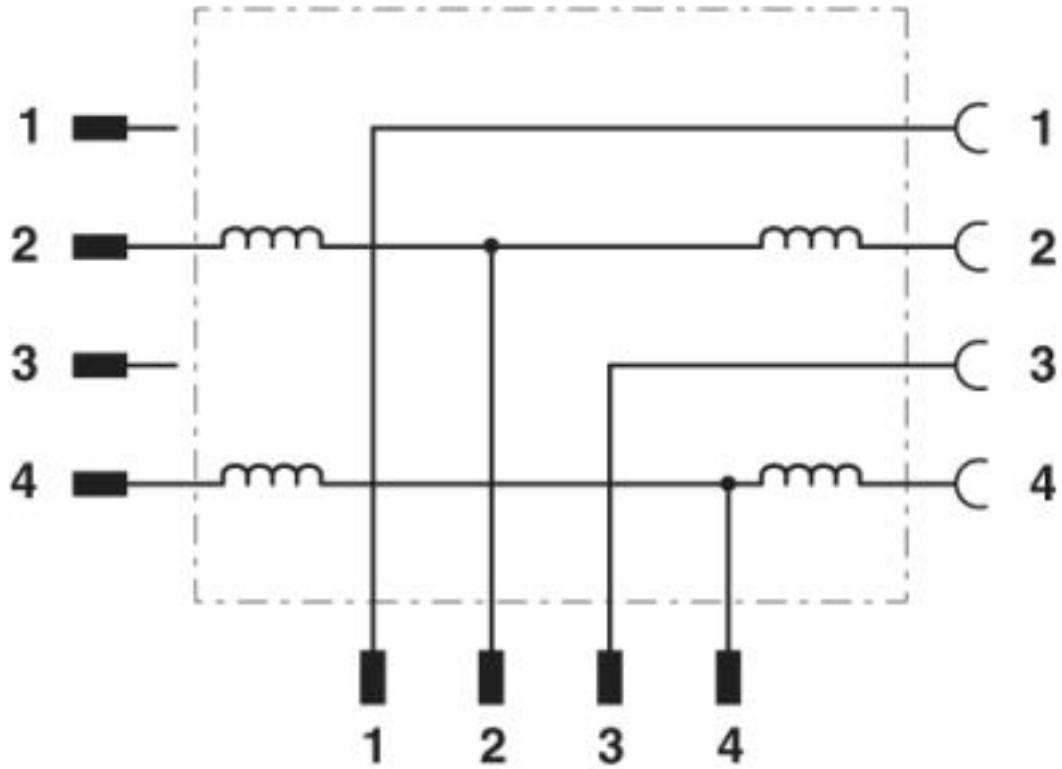
Dimensional drawing



M12 T distributor

T distributor - SAC-M12T/2XM12 PBDP - 1458884

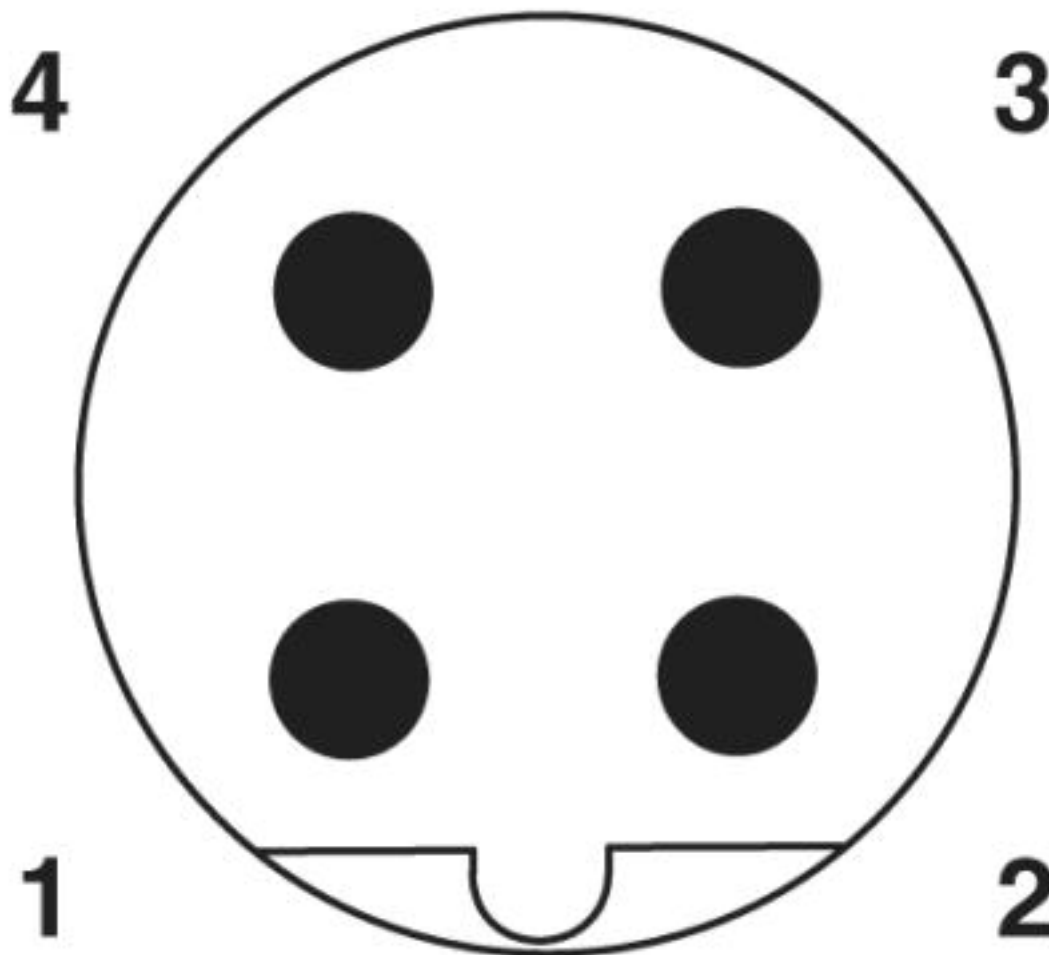
Circuit diagram



Contact assignment of the M12 plug and the M12 socket

T distributor - SAC-M12T/2XM12 PBDP - 1458884

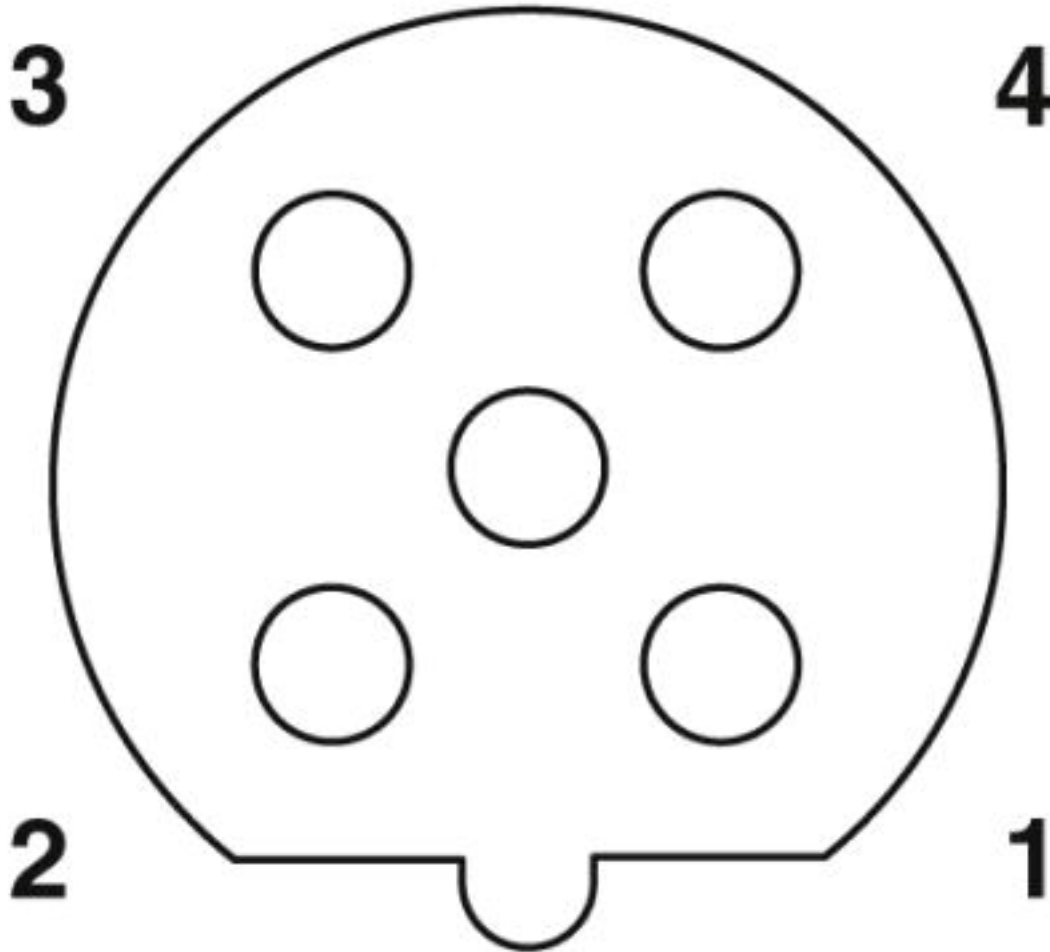
Schematic diagram



Pin assignment of M12 male connector, 4-pos., B-coded, view of pin side

T distributor - SAC-M12T/2XM12 PBDP - 1458884

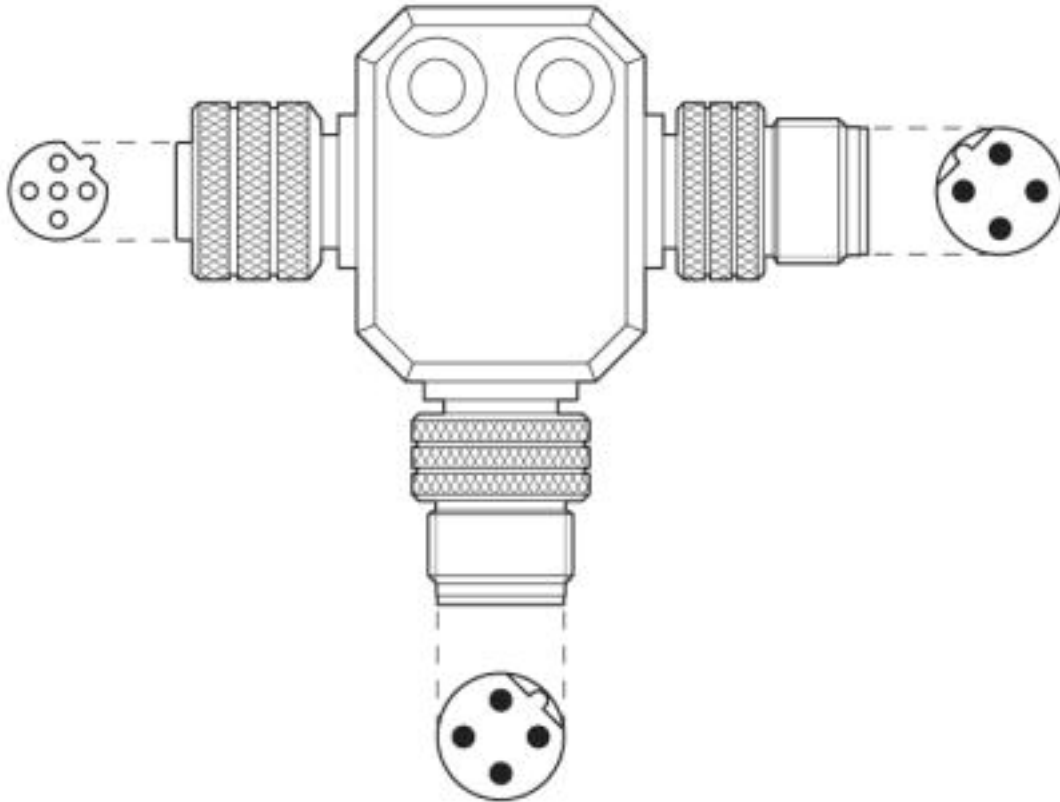
Schematic diagram



Pin assignment M12 socket, 4-pos., B-coded, view socket side

T distributor - SAC-M12T/2XM12 PBDP - 1458884

Schematic diagram



Layout of connector pin assignments

Classifications

eCl@ss

eCl@ss 4.0	27260700
eCl@ss 4.1	27260700
eCl@ss 5.0	27260700
eCl@ss 5.1	27260700
eCl@ss 6.0	27279200
eCl@ss 7.0	27279218
eCl@ss 8.0	27440102
eCl@ss 9.0	27440106

ETIM

ETIM 3.0	EC001855
ETIM 4.0	EC002061
ETIM 5.0	EC002635
ETIM 6.0	EC002925
ETIM 7.0	EC002925

T distributor - SAC-M12T/2XM12 PBDP - 1458884

Classifications

UNSPSC

UNSPSC 6.01	31251501
UNSPSC 7.0901	31251501
UNSPSC 11	31251501
UNSPSC 12.01	31251501
UNSPSC 13.2	39121413
UNSPSC 19.0	39121413

Approvals

Approvals

Approvals

EAC / EAC

Ex Approvals

Approval details

EAC		RU C- DE.AI30.B.01102
-----	--	--------------------------

EAC		EAC-Zulassung
-----	--	---------------

Accessories

Accessories

Plug for cable screw gland

Screw plug - PROT-M12 - 1680539



An M12 screw plug for the unoccupied M12 sockets of the sensor/actuator cable, boxes and flush-type connectors

T distributor - SAC-M12T/2XM12 PBDP - 1458884

Accessories

Screw plug - PROT-M12 MS-PA-CHAIN - 1430899

M12 sealing cap with fixing band, for sensor cables, for free M12 sockets



Protective cap

Sealing cap - PROT-M12 FS - 1560251



M12 sealing cap for unoccupied M12 plugs of the sensor/actuator cable, flush-type plugs and I/O devices in the field

Sealing cap - PROT-M12 FS-PA-CHAIN - 1430873

M12 sealing cap made of plastic with fixing band, for sensor cables, for free M12 plugs



Phoenix Contact 2020 © - all rights reserved
<http://www.phoenixcontact.com>

PHOENIX CONTACT GmbH & Co. KG
Flachsmarktstr. 8
32825 Blomberg
Germany
Tel. +49 5235 300
Fax +49 5235 3 41200
<http://www.phoenixcontact.com>