

# Housing - HC-EVO-B10-SHFDC-2SSM20-PLRBK - 1421362

Please be informed that the data shown in this PDF Document is generated from our Online Catalog. Please find the complete data in the user's documentation. Our General Terms of Use for Downloads are valid (<http://phoenixcontact.com/download>)



Box mounting bases B10, for double locking latch, material: PA, protective cover material: PA, cable outlets: 2, lateral, height: 74 mm, cable gland: none, support sleeve: no, 2x M20, protective cover: yes, Standard, including 2x reducing adapter

## Product Description


One screw connection opening is closed, however it can be opened using a screwdriver. Incl. two plastic reductions M32 to M20

## Your advantages

- Lower costs than metal version
- Low weight
- Lower risk of condensation
- Both contact insert PE sheets are connected by means of a metal frame integrated in the sleeve housing
- Metal inlays ensure leading PE contact with angled plugs
- Completely corrosion-resistant
- Halogen-free plastic
- Marking label can be attached



## Key Commercial Data

Packing unit	1 pc
GTIN	 4 055626 264899
GTIN	4055626264899

## Technical data

### Dimensions

Height	74 mm
Width	57 mm
Length	93 mm

### Ambient conditions

Degree of protection (IP)	IP66 (when plugged in)
	IP54 (with closed protective cover)

# Housing - HC-EVO-B10-SHFDC-2SSM20-PLRBK - 1421362

## Technical data

### Ambient conditions

Degree of protection (NEMA)	12 (UL 50e)
Ambient temperature (operation)	-40 °C ... 125 °C

### General

Note	For contact inserts HC-B10, BB18, DD42, M, K8/24, HV03-I-PT, HC- 3-E...C
Size	B10
Housing type	Box mounting bases
Color	black
Locking type	for double locking latch
No. of cable outlets	2
Cable outlet	lateral
Screw connection	none
Type of the screw connection	2x M20
Protective cover	yes
Housing material	PA
Seal material	NBR
Material, protective cover	PA
Flammability rating according to UL 94	V0
Assembly instructions	Two plastic reductions M32 to M20 are provided
Connection	One of the two openings for the screw connections is sealed but can be broken open using a screwdriver.

### Standards and Regulations

Flammability rating according to UL 94	V0
--	----

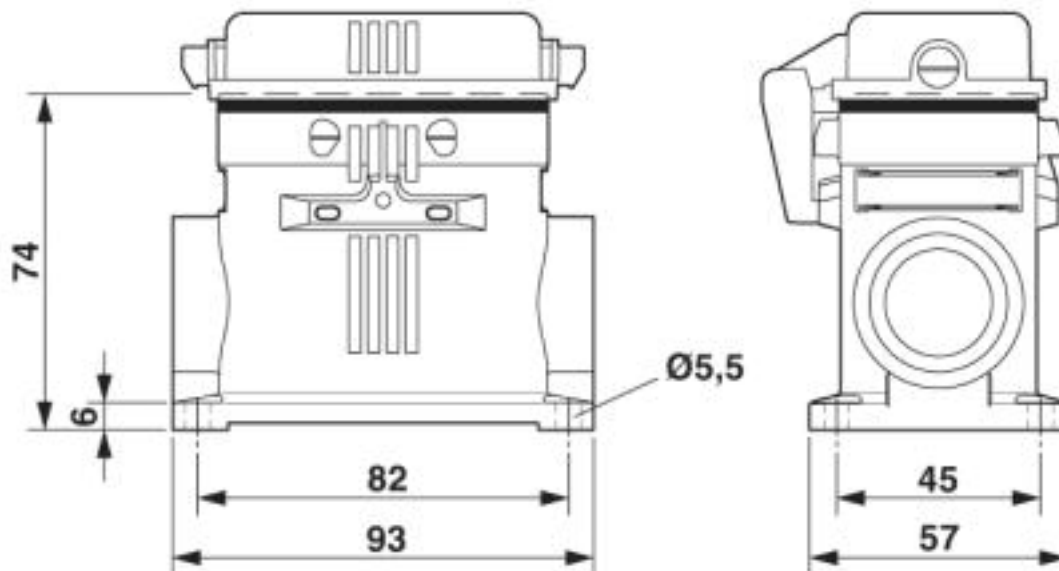
### Environmental Product Compliance

China RoHS	Environmentally friendly use period: unlimited = EFUP-e
	No hazardous substances above threshold values

## Drawings

# Housing - HC-EVO-B10-SHFDC-2SSM20-PLRBK - 1421362

Dimensional drawing



Dimensional drawing

## Classifications

### eCl@ss

eCl@ss 10.0.1	27440202
eCl@ss 5.1	27261200
eCl@ss 6.0	27261200
eCl@ss 7.0	27440202
eCl@ss 8.0	27440202
eCl@ss 9.0	27440202

### ETIM

ETIM 5.0	EC000437
ETIM 6.0	EC000437
ETIM 7.0	EC000437

### UNSPSC

UNSPSC 13.2	31261501
UNSPSC 18.0	31261501
UNSPSC 19.0	31261501
UNSPSC 20.0	31261501
UNSPSC 21.0	31261501

## Approvals

### Approvals

# Housing - HC-EVO-B10-SHFDC-2SSM20-PLRBK - 1421362

## Approvals

Approvals

EAC / DNV GL

---

Ex Approvals

---

### Approval details

EAC		RU C- DE.AI30.B.01102
-----	--	--------------------------

DNV GL		<a href="https://approvalfinder.dnvgl.com/">https://approvalfinder.dnvgl.com/</a>	TAE000037S
--------	--	---	------------

## Accessories

Accessories

Device marking

Snap-in markers - US-EMP (20X9) - 0829439



Snap-in markers, Card, white, unlabeled, can be labeled with: BLUEMARK ID COLOR, BLUEMARK ID, THERMOMARK PRIME, THERMOMARK CARD 2.0, THERMOMARK CARD, mounting type: snapped into marker carrier, lettering field size: 20 x 9 mm, Number of individual labels: 70

---

Full screw connection

Cable gland - G-INS-M20-S68N-PNES-BK - 1411133



Cable gland, cable gland material: PA, external cable diameter 6 mm ... 12 mm, shielding: no, connecting thread: M20 x 1.5, color: jet black RAL 9005

---

Housing latches

## Housing - HC-EVO-B10-SHFDC-2SSM20-PLRBK - 1421362

### Accessories

Double locking latch - HC-B10-24-DL-PLBK - 1407696



Replacement double locking latch for HEAVYCON EVO housing, HC-B10/HC-B16/HC-B24, PA

---

### Plug for cable screw gland

Screw plug - A-INSP-M20-65N-P-BK - 1415206



Screw plug, material: PA, connecting thread: M20 x 1.5, color: jet black RAL 9005, with O-ring

---

### Protective cover

Protective covers - HC-B10-BC-HI-PLBK - 1407693



HEAVYCON EVO hinged protective cover, size B10, for EVO plastic supporting base element, IP65, PA

---

### Seal

Profile gasket - HC-B10-SP-RBK - 1407707



Profile gasket for HEAVYCON EVO supporting base element type B10