

# Housing - HC-EVO-B10-SHWD-2SSM25-PLRBK - 1421304

Please be informed that the data shown in this PDF Document is generated from our Online Catalog. Please find the complete data in the user's documentation. Our General Terms of Use for Downloads are valid (<http://phoenixcontact.com/download>)




Box mounting bases B10, with double locking latch, material: PA, cable outlets: 2, lateral, height: 74 mm, cable gland: none, support sleeve: no, 2x M25, Standard, including 2x reducing adapter

## Your advantages

- ✓ Flexible cable outlet direction, lateral or straight
- ✓ Lower costs than metal version
- ✓ Labeling option using 9 x 20 mm marking label
- ✓ Low weight
- ✓ Lower risk of condensation
- ✓ Both contact insert PE sheets are connected by means of a metal frame integrated in the sleeve housing
- ✓ Metal inlays ensure leading PE contact with angled plugs
- ✓ Completely corrosion-resistant
- ✓ Halogen-free plastic
- ✓ Marking label can be attached



## Key Commercial Data

|              |   |
|--------------|---|
| Packing unit | 1 pc  |
| GTIN         | <br>4 055626 264820 |
| GTIN         | 4055626264820   |

## Technical data

### Dimensions

|        |       |
|--------|-------|
| Height | 74 mm |
| Width  | 57 mm |
| Length | 93 mm |

### Ambient conditions

|                             |             |
|-----------------------------|-------------|
| Degree of protection (IP)   | IP66        |
| Degree of protection (NEMA) | 12 (UL 50e) |

# Housing - HC-EVO-B10-SHWD-2SSM25-PLRBK - 1421304

## Technical data

### Ambient conditions

|                                 |                   |
|---------------------------------|-------------------|
| Ambient temperature (operation) | -40 °C ... 125 °C |
|---------------------------------|-------------------|

### General

|  |   |
|--|---|
| Note                                   | For contact inserts HC-B10, BB18, DD42, M, K8/24, HV03-I-PT, HC- 3-E...C                                |
| Size                                   | B10   |
| Housing type                           | Box mounting bases  |
| Color                                  | black   |
| Locking type                           | with double locking latch   |
| No. of cable outlets                   | 2   |
| Cable outlet                           | lateral   |
| Screw connection                       | none  |
| Type of the screw connection           | 2x M25  |
| Housing material                       | PA  |
| Seal material                          | NBR   |
| Material lock                          | PA  |
| Flammability rating according to UL 94 | V0  |
| Assembly instructions                  | Two plastic reductions M32 to M25 are provided  |
| Connection                             | One of the two openings for the screw connections is sealed but can be broken open using a screwdriver. |

### Standards and Regulations

|  |    |
|--|----|
| Flammability rating according to UL 94 | V0 |
|--|----|

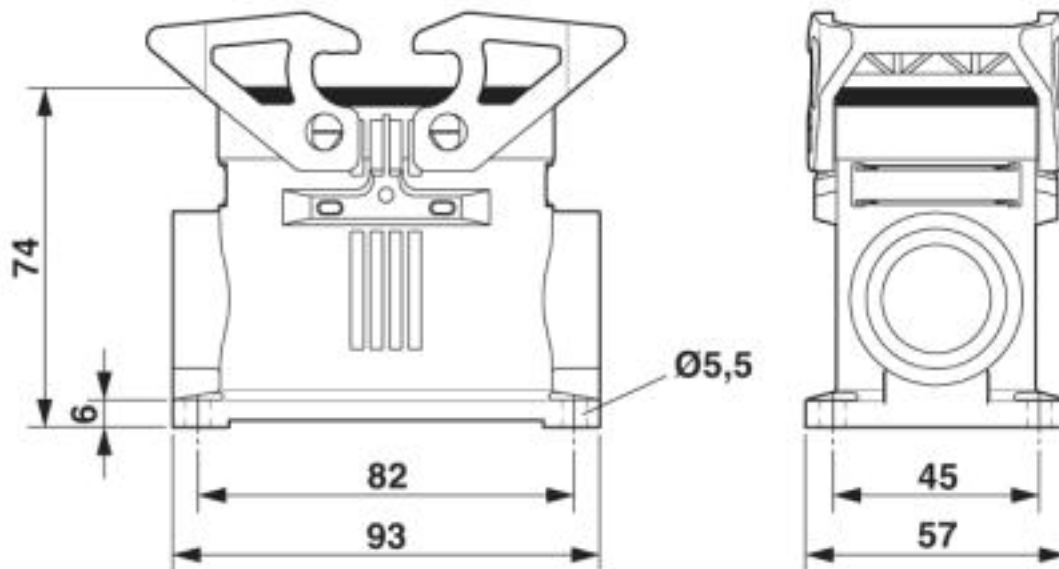
### Environmental Product Compliance

|            |   |
|------------|---|
| China RoHS | Environmentally friendly use period: unlimited = EFUP-e |
|            | No hazardous substances above threshold values          |

## Drawings

# Housing - HC-EVO-B10-SHWD-2SSM25-PLRBK - 1421304

Dimensional drawing



Dimensional drawing

## Classifications

eCl@ss

|               |          |
|---------------|----------|
| eCl@ss 10.0.1 | 27440202 |
| eCl@ss 5.1    | 27261200 |
| eCl@ss 6.0    | 27261200 |
| eCl@ss 7.0    | 27440202 |
| eCl@ss 8.0    | 27440202 |
| eCl@ss 9.0    | 27440202 |

ETIM

|          |          |
|----------|----------|
| ETIM 5.0 | EC000437 |
| ETIM 6.0 | EC000437 |
| ETIM 7.0 | EC000437 |

UNSPSC

|             |          |
|-------------|----------|
| UNSPSC 13.2 | 31261501 |
| UNSPSC 18.0 | 31261501 |
| UNSPSC 19.0 | 31261501 |
| UNSPSC 20.0 | 31261501 |
| UNSPSC 21.0 | 31261501 |

## Approvals

Approvals

# Housing - HC-EVO-B10-SHWD-2SSM25-PLRBK - 1421304

## Approvals

Approvals

EAC / DNV GL

---

Ex Approvals

---

### Approval details

|     |  |                          |
|-----|--|--------------------------|
| EAC |  | RU C-<br>DE.AI30.B.01102 |
|-----|--|--------------------------|

|        |  |   |            |
|--------|--|---|------------|
| DNV GL |  | <a href="https://approvalfinder.dnvgl.com/">https://approvalfinder.dnvgl.com/</a> | TAE000037S |
|--------|--|---|------------|

## Accessories

Accessories

Device marking

Snap-in markers - US-EMP (20X9) - 0829439



Snap-in markers, Card, white, unlabeled, can be labeled with: BLUEMARK ID COLOR, BLUEMARK ID, THERMOMARK PRIME, THERMOMARK CARD 2.0, THERMOMARK CARD, mounting type: snapped into marker carrier, lettering field size: 20 x 9 mm, Number of individual labels: 70

---

Full screw connection

Cable gland - G-INS-M25-M68N-PNES-BK - 1411134



Cable gland, cable gland material: PA, external cable diameter 11 mm ... 17 mm, shielding: no, connecting thread: M25 x 1.5, color: jet black RAL 9005

---

Housing latches

## Housing - HC-EVO-B10-SHWD-2SSM25-PLRBK - 1421304

### Accessories

Double locking latch - HC-B10-24-DL-PLBK - 1407696



Replacement double locking latch for HEAVYCON EVO housing, HC-B10/HC-B16/HC-B24, PA

---

### Plug for cable screw gland

Screw plug - A-INSP-M25-65N-P-BK - 1415207



Screw plug, material: PA, connecting thread: M25 x 1.5, color: jet black RAL 9005, with O-ring

---

### Protective cover

Protective covers - HC-B10-BCSFD-P-BK - 1414628



Protective cover B10, for double locking latch, protective cover material: PA, height: 18.5 mm, seal: no, diameter of retaining cord eyelet: 40 mm

---

### Seal

Profile gasket - HC-B10-SP-RBK - 1407707



Profile gasket for HEAVYCON EVO supporting base element type B10