

# Y distributor - SAC-3P-M12Y/2XM12FS 3L - 1403627

Please be informed that the data shown in this PDF Document is generated from our Online Catalog. Please find the complete data in the user's documentation. Our General Terms of Use for Downloads are valid (<http://phoenixcontact.com/download>)



Y distributor, 3-position, unshielded, Plug straight M12 SPEEDCON, coding: A, on Socket straight M12 SPEEDCON, coding: A and Socket straight M12 SPEEDCON, coding: A, with 3 LEDs

RoHS

## Key Commercial Data

Packing unit	5 pc
GTIN	
GTIN	4046356726924

## Technical data

### Dimensions

Center distance	21 mm
-----------------	-------

### Ambient conditions

Ambient temperature (operation)	-25 °C ... 90 °C (Plug / socket)
Degree of protection	IP65
	IP67

### General

Rated current at 40°C	4 A
Rated voltage	24 V DC
Number of positions	3
Color handle area	black
Insulation resistance	≥ 100 MΩ
Coding	A - standard
Standards/regulations	M12 connector IEC 61076-2-101
Status display	3 LEDs
Overvoltage category	II
Degree of pollution	3
Insertion/withdrawal cycles	≥ 100

# Y distributor - SAC-3P-M12Y/2XM12FS 3L - 1403627

## Technical data

### General

Torque	0.4 Nm (M12 connector)
--------	------------------------

### Material

Flammability rating according to UL 94	HB
Contact material	CuZn
Contact surface material	Ni/Au
Contact carrier material	TPU GF
Material of grip body	TPU, hardly inflammable, self-extinguishing
Material, knurls	Zinc die-cast, nickel-plated
Sealing material	NBR

### Standards and Regulations

Standards/specifications	M12 connector IEC 61076-2-101
Flammability rating according to UL 94	HB

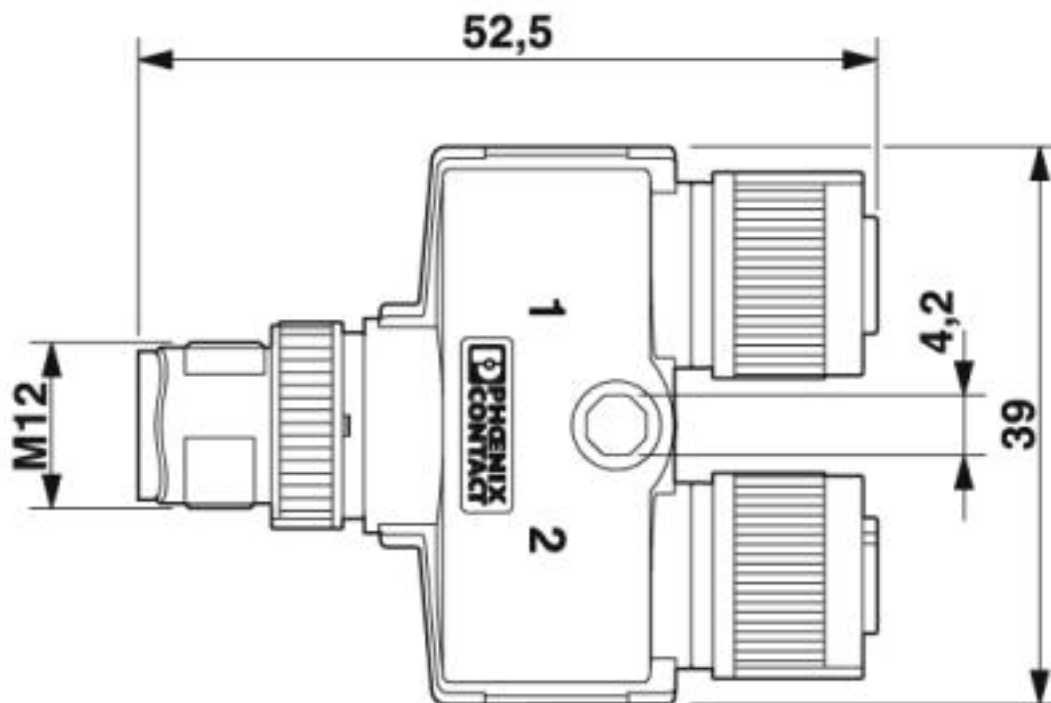
### Environmental Product Compliance

REACH SVHC	Lead 7439-92-1
China RoHS	Environmentally Friendly Use Period = 50 years
	For details about hazardous substances go to tab "Downloads", Category "Manufacturer's declaration"

## Drawings

# Y distributor - SAC-3P-M12Y/2XM12FS 3L - 1403627

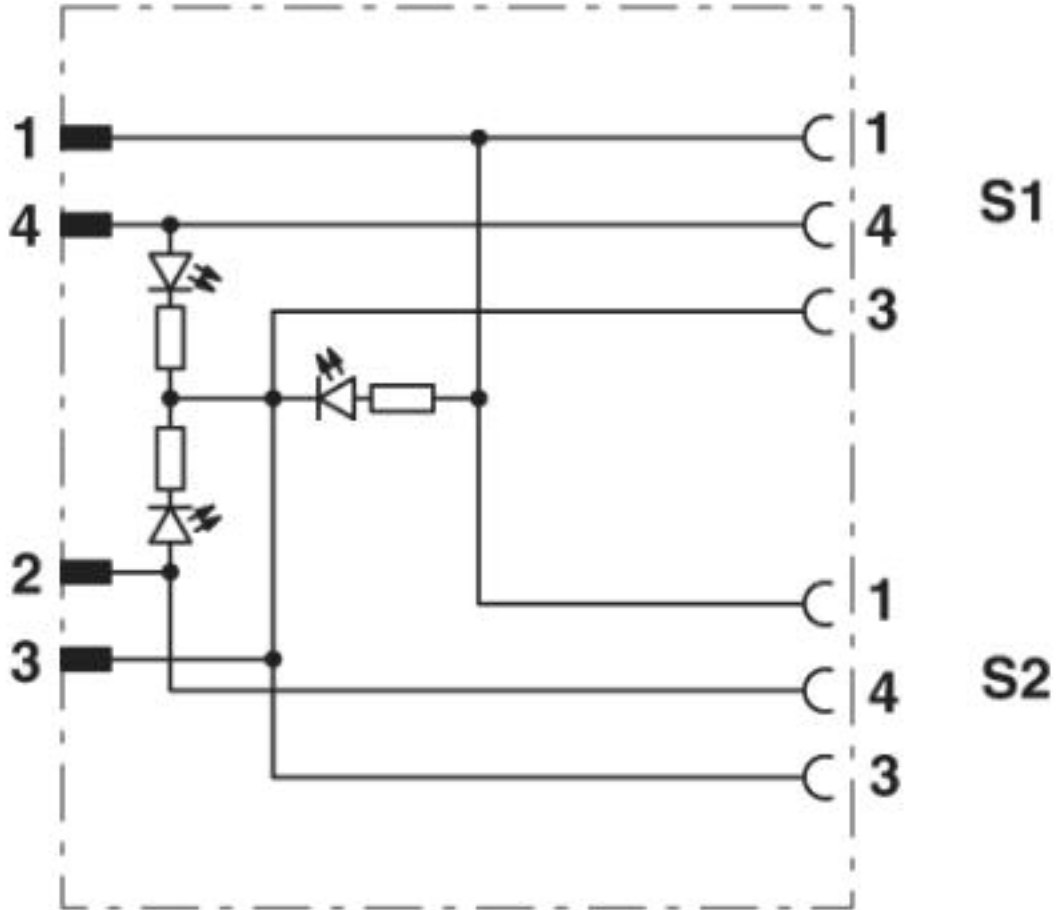
Dimensional drawing



M12 Y distributor

# Y distributor - SAC-3P-M12Y/2XM12FS 3L - 1403627

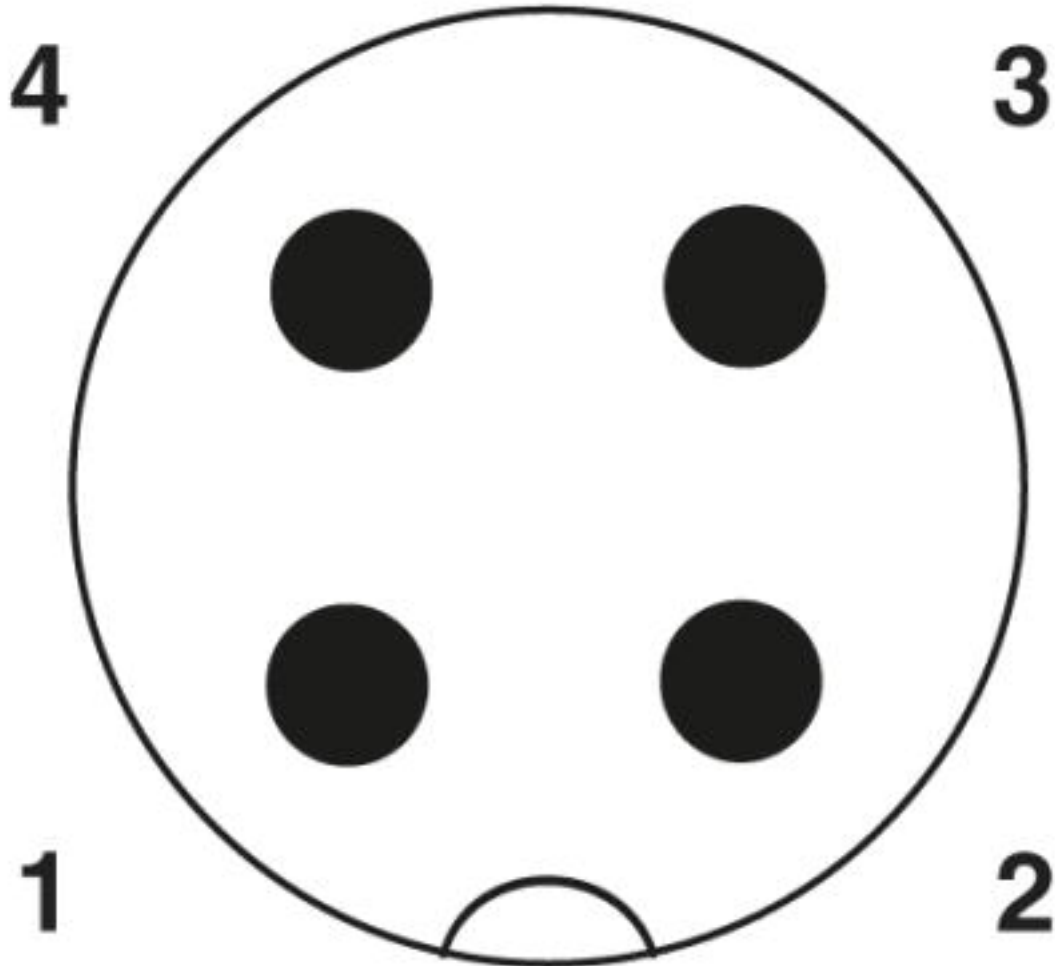
Circuit diagram



Contact assignment of the M12 Y distributor

# Y distributor - SAC-3P-M12Y/2XM12FS 3L - 1403627

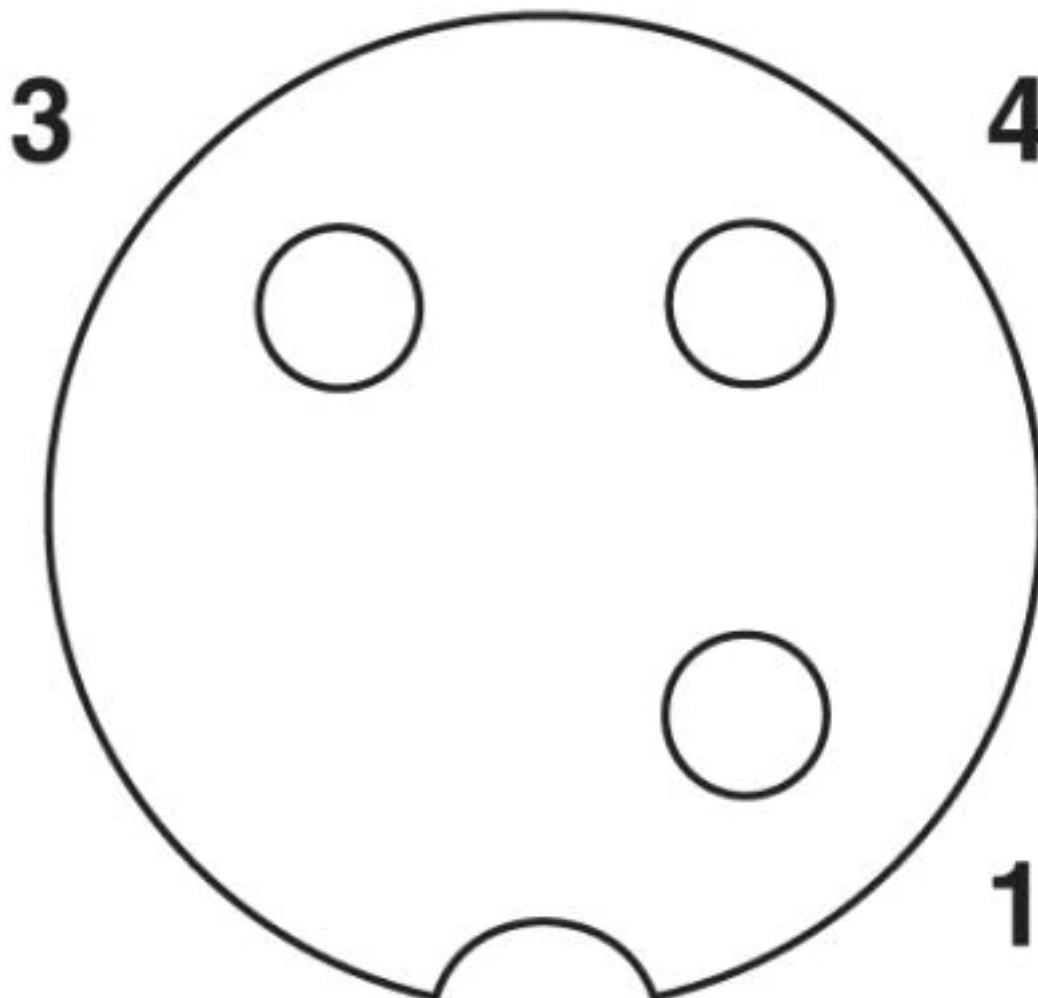
Schematic diagram



Pin assignment M12 plug, 4-pos., A-coded, view plug side

# Y distributor - SAC-3P-M12Y/2XM12FS 3L - 1403627

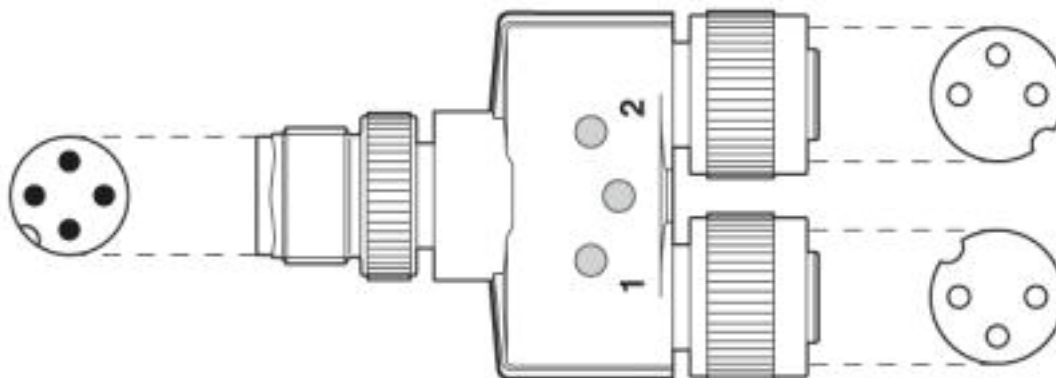
Schematic diagram



Pin assignment M12 socket, 3-pos., A-coded, view female side

# Y distributor - SAC-3P-M12Y/2XM12FS 3L - 1403627

Schematic diagram



Layout of connector pin assignments

## Classifications

eCl@ss

eCl@ss 10.0.1	27440106
eCl@ss 4.0	27060300
eCl@ss 4.1	27060300
eCl@ss 5.0	27061800
eCl@ss 5.1	27061800
eCl@ss 6.0	27279200
eCl@ss 7.0	27440104
eCl@ss 8.0	27440102
eCl@ss 9.0	27440106

ETIM

ETIM 2.0	EC000830
ETIM 3.0	EC001855
ETIM 4.0	EC001855
ETIM 5.0	EC002062
ETIM 6.0	EC002925
ETIM 7.0	EC002925

UNSPSC

UNSPSC 6.01	31251501
UNSPSC 7.0901	31251501
UNSPSC 11	31251501
UNSPSC 12.01	31251501
UNSPSC 13.2	31251501
UNSPSC 19.0	31251501
UNSPSC 20.0	31251501
UNSPSC 21.0	31251501

# Y distributor - SAC-3P-M12Y/2XM12FS 3L - 1403627

## Approvals

Approvals

---

Approvals

EAC / EAC

---

Ex Approvals

---

## Approval details

EAC		RU C- DE.BL08.B.00286
-----	--	--------------------------

EAC		RU C- DE.BL08.B.00511
-----	--	--------------------------

## Accessories

### Accessories

Plug for cable screw gland

Screw plug - PROT-MS SCO - 1553129



Screw plug - PROT-M12 MS-PA-CHAIN - 1430899

M12 sealing cap with fixing band, for sensor cables, for free M12 sockets



Protective cap



## Y distributor - SAC-3P-M12Y/2XM12FS 3L - 1403627

### Accessories

Sealing cap - PROT-M12 FS - 1560251



M12 sealing cap for unoccupied M12 plugs of the sensor/actuator cable, flush-type plugs and I/O devices in the field

---

Sealing cap - PROT-M12 FS-PA-CHAIN - 1430873

M12 sealing cap made of plastic with fixing band, for sensor cables, for free M12 plugs



### Screwdriver tools

Tool - SAC BIT M12-D15 - 1208432



Nut for assembling sensor/actuator cables with M12 connector and M12 connectors for assembly, with a knurl diameter of 15 mm, for 4 mm hexagonal drive

---

### Torque tool

Torque screwdriver - TSD 04 SAC - 1208429



Torque screwdriver, with preset torque of 0.4 Nm and 4 mm hexagonal drive for M12 connectors

---