



**Single Port 15.4W Power over Ethernet
Interchangeable Wall Plug* Adapter
Passive Power Injector**



*plugs sold separately

Features

- No Detection – passive injector
- Non-Vented Case
- Field Interchangeable AC Clips*
- 1 Year Warranty
- Gigabit data rates
- Full Protection OCP, OVP
- Level VI Efficient
- Fully compliant to isolation requirements IEEE802.3

Applications

- IP Telephones
- Wireless Network Access Points
- Blue Tooth Access Points
- Security Cameras
- IP Print Servers

Safety Approvals

- cUL/UL 60950-1
- IEC/EN 60950-1
- CE
- LPS

Mechanical Characteristics

- Length: 80mm (3.15in)
- Width: 45mm (1.77in)
- Height: 33mm (1.29in)
- Weight: 114g (4 oz.)

Output Specifications

| Model | DC Output Voltage | Load | | Regulation | | Output Power |
|----------------|-------------------|------|--------|------------|------|--------------|
| | | Min. | Max. | Line | Load | |
| POE16R-560L6-R | 56V | 0A | 0.275A | ±5% | | 15.4W |

Phihong is not responsible for any error and reserves the right to make changes without notice. Please visit our website at www.phihong.com for the most up-to-date specifications and contact information.

INPUT:**AC Input Voltage Range**

90 to 264VAC

AC Input Voltage Rating

100 to 240VAC

AC Input Current

0.5A (RMS) max for 90VAC

0.35A (RMS) max for 240VAC

Leakage Current

0.25mA max @ 254VAC 60Hz

AC Input Frequency

47-63Hz

AC Inrush Current

30A (RMS) max for 115VAC

60A (RMS) max for 230VAC

No Load Power Consumption

<0.1W

OUTPUT:**Total Output Power**

15.4W

Ripple and Regulation

600mV max

Efficiency

DOE Level VI

Hold-up time:

10mS min at max load and 120VAC, 60Hz

ENVIRONMENTAL:**Temperature**

Operation -20 to +50°C

Non-operation -20 to +70°C

Humidity 5 to 90%

EMI

Complies with FCC Class B

Complies with EN55032 Class B

Immunity

ESD: IEC61000-4-2. Level 3

RS: IEC61000-4-3. Level 2

EFT: IEC61000-4-4. Level 2

Surge: IEC61000-4-5. Level 3

CS: IEC61000-4-6. Level 2

Voltage Dips IEC61000-4-11

Harmonic: IEC61000-3-2 Class A

Isolation Test

Primary to Secondary: 3000VAC for 1 second 10mA

Insulation Resistance

Primary to Secondary: >10M OHM

500VDC

FEATURES:**Over Voltage Protection**

Voltage between 2 SELV conductors shall not exceed 42.4Vpk or 60VDC for longer than 0.2 secs. Shall not exceed 71Vpk or 120VDC

Over Current Protection

< 600ma. Output equipped with short circuit protection – Auto Restart

Short Circuit Protection

The output can be shorted permanently without damage.

Indicator

Solid Blue: Power “ON”

Data in/Output Connector

RJ45

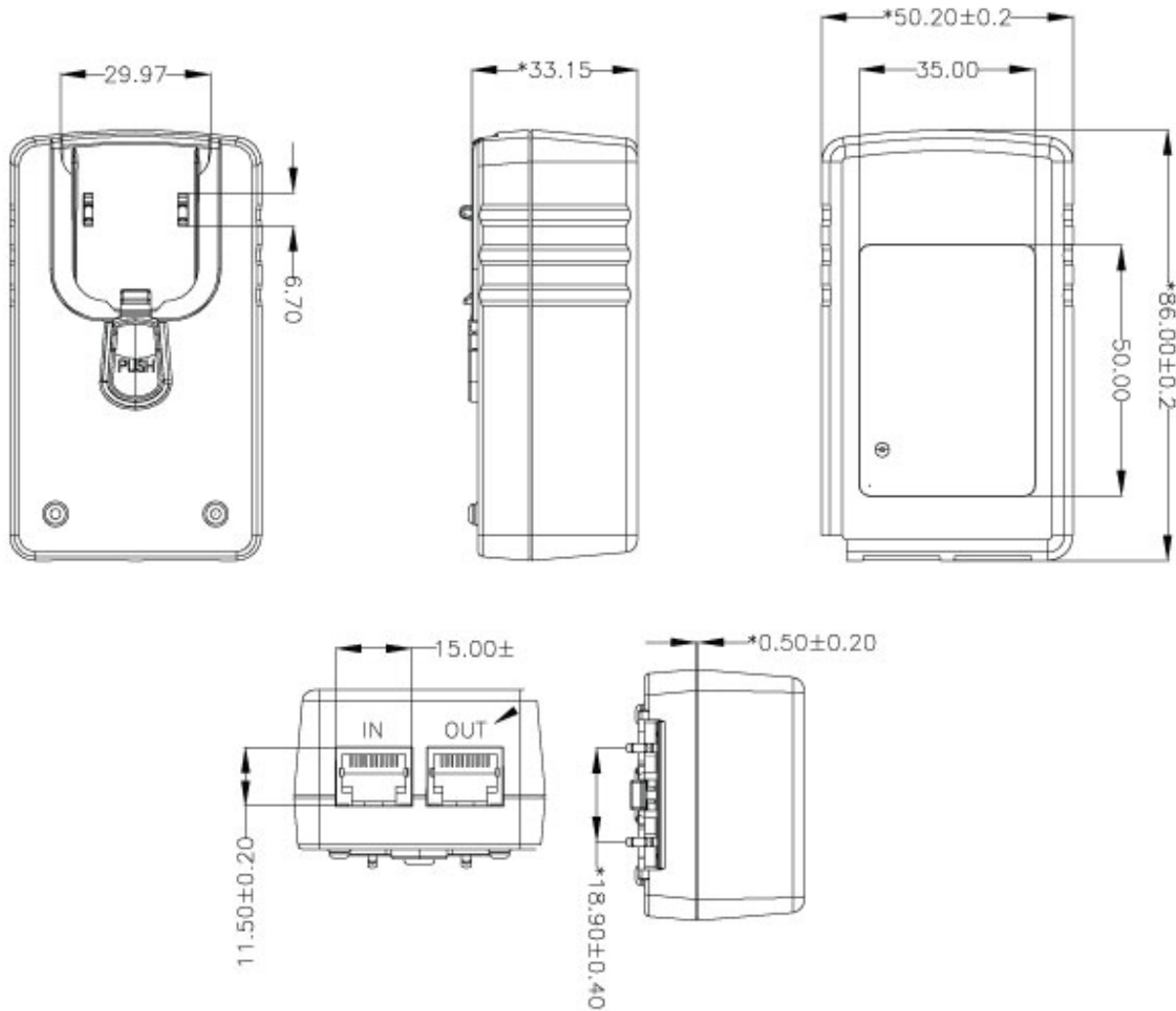
Output Connection

+pin 3,6 / -pins 1,2

Interchangeable AC Clips (Sold Separately)

| | | | |
|------|--------|------|-----------|
| RPA: | US | RPI: | India |
| RPB: | Brazil | RPK: | UK |
| RPC: | China | RPN: | Argentina |
| RPE: | Europe | RPS: | Australia |
| RPH: | Korea | RPX: | C8 |

Dimensional Diagram Unit: mm



Supplier's Declaration of Conformity
47 CFR § 2.1077 Compliance Information

Phihong USA Corporation
47800 Fremont Boulevard
Fremont, CA 94538
Telephone: (510) 445-0100
www.phihong.com

NOTE: This model has/The models in this products series have been tested and found to comply with the limits for a Class B digital device, pursuant to part 15 of the FCC Rules. These limits are designed to provide reasonable protection against harmful interference in a residential installation. This equipment generates, uses and can radiate radio frequency energy and, if not installed and used in accordance with the instructions, may cause harmful interference to radio communications. However, there is no guarantee that interference will not occur in a particular installation. If this equipment does cause harmful interference to radio or television reception, which can be determined by turning the equipment off and on, the user is encouraged to try to correct the interference by one or more of the following measures:

- Reorient or relocate the receiving antenna.
- Increase the separation between the equipment and receiver.
- Connect the equipment into an outlet on a circuit different from that to which the receiver is connected.
- Consult the dealer or an experienced radio/TV technician for help.

Changes or modifications to equipment not expressly approved by PHIHONG could void the user's authority to operate the equipment.