



Model number

VAZ-G10-TERM
Passive bus termination G10

Features

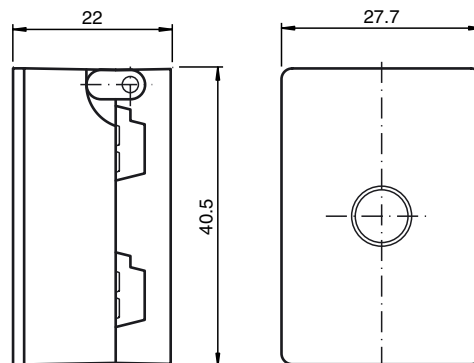
- Ultra-compact enclosure
- Extension of strand length to over 200 m
- Two different impedances integrated
- Suitable for all topologies
- Two-stage voltage monitor and display for AS-Interface and AUX
- Gold-plated and machined contacts
- Degree of protection IP68 / IP69K

Function

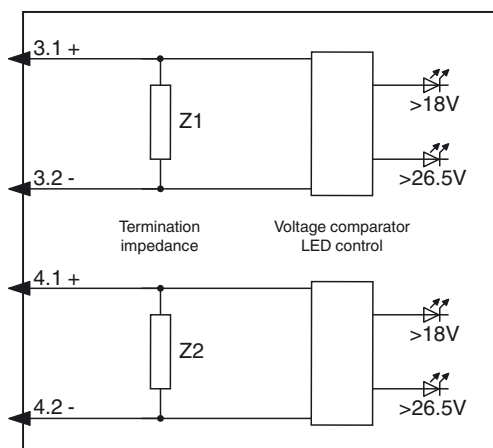
The passive terminator VAZ-G10-TERM in the G10-design includes two different terminations in one housing. With the two terminators, all topologies of an AS-Interface network can be terminated. The termination resistor Z1 offers the right impedance for most topologies. The termination resistor Z2 is used when Z1 does not reach the required signal quality improvement. Two LEDs per terminator monitor the status of each supply voltage. On the bus termination, the voltage is shown in 2 stages. The free flat cable channel can be used to monitor the external power supply U_{AUX} .

Release date: 2019-01-09 10:02 Date of issue: 2019-01-09 236038_eng.xml

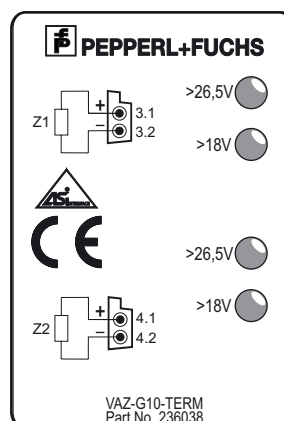
Dimensions



Electrical connection



Indicating / Operating means



Technical data**General specifications**

AS-Interface specification	V3.0
UL File Number	E223772 "For use in NFPA 79 Applications only"

Indicators/operating means

LED green	AS-Interface voltage > 26 V: LED lights
LED yellow	AS-Interface voltage > 18.5 V: LED lights

Electrical specifications

Rated operating voltage	U_e	18.5 ... 31.6 V
Rated operating current	I_e	≤ 15 mA per connection
Protection class		III

Directive conformity

Electromagnetic compatibility	
Directive 2014/30/EU	EN 62026-2:2013 EN 61326:2006

Standard conformity

Degree of protection	EN 60529:2000
Fieldbus standard	EN 62026-2:2013
Emitted interference	EN 61000-6-4:2007
AS-Interface	EN 62026-2:2013
Noise immunity	EN 61000-6-2:2005, EN 61326-1:2006, EN 62026-2:2013

Ambient conditions

Ambient temperature	-25 ... 70 °C (-13 ... 158 °F)
Storage temperature	-25 ... 85 °C (-13 ... 185 °F)
Shock and impact resistance	30 g, 11 ms in 6 spatial directions 3 shocks 10 g, 16 ms in 6 spatial directions 1000 shocks
Vibration resistance	0.75 mm 10 ... 57 Hz, 5 g 57 ... 150 Hz, 20 cycles

Mechanical specifications

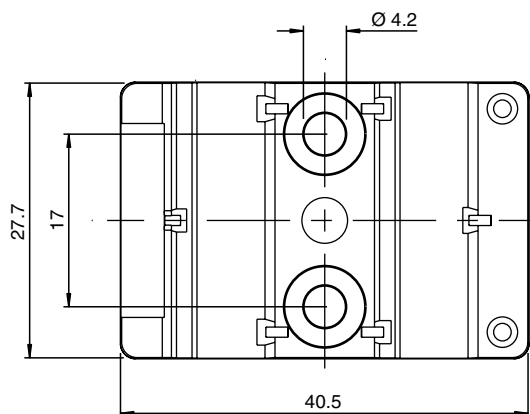
Degree of protection	IP67 IP67 / IP68 / IP69K with flat cable VAZ-FK-S*
Connection	via Flat cable
Material	
Housing	PBT PC
Mounting screw	Stainless steel 1.4305 / AISI 303
Mass	100 g
Tightening torque, fastening screws	1.65 Nm

Approvals and certificates

UL approval	cULus Listed, Type 1 enclosure
Maximum permissible ambient temperature	≤ 65 °C (≤ 149 °F)

Notes**Mounting instructions**

You may screw the device onto a level mounting surface using two M4 attachment screws. The attachment screws are not included.

**Purpose**

Improvement of signal quality and voltage monitoring.
Operation on the most remote AS-Interface strand.
Maximum 2 repeaters in line possible.
When using repeaters please check if a terminator is integrated.