

Model No.: PMT-30N18AL03-04
 Product Line: Tymphany

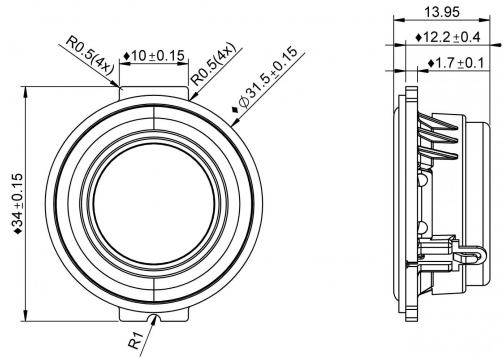
Rev: 1
 Last Update: 2017-04-25 21:32:09

Product Description

This 30 mm 4 ohm compact premium micro transducer is designed for computer, television array, and similar applications. It features a neodymium magnet, a light aluminium cone, and a high-temperature polycarbonate frame. The PMT family's transducers feature low resonant frequencies, low THD and a full range bandwidth.



Mechanical Drawing



Specifications

DC Resistance	Revc	Ohms	3.55	5.0%	Energy Bandwidth Product	EBP	(1/Qes)*fs	
Minimum Impedance	Zmin	Ohms	3.81	7.5%	Moving Mass	Mms	g	0.5
Voice Coil Inductance	Le	mH	0.06		Suspension Compliance	Cms	um/N	898
Resonant Frequency	Fs	Hz	243.3	15%	Effective Cone diameter	D	cm	2.49
Mechanical Q Factor	Qms		2.55		Effective Piston Area	Sd	cm^2	4.9
Electrical Q Factor	Qes	0.96			Effective Volume	Vas	L	0.03
Total Q Factor	Qts	0.7			Motor Force Factor	BL	Tm	1.65
Ratio Fs/Qts	F	Fs/Qts	349.57		Motor Efficiency Factor	β	(T*M^2)/Ohms	0.8
Half Space Sensitivity @2.83V	db@2.83V/1M	dB	83.44	+/- 1.0db	Voice coil former Material	VCfm		KSV
Half Space Sensitivity @1W/1M	db@1W/1M	dB	80.2	+/- 1.0db	Voice coil inner diameter	VCd	mm	18
Gap Height	Gh	mm	1		Rated Noise Power	P	W	1.5
Maximum Linear Excursion	Xmax	mm	1.1		Test Spectrum Bandwidth		250Hz-20KHz	
Ferrofluid Type	FF		APG834		Driver Size	Inch	30 mm	
Driver Mass	Kg	0.02						

Frequency and Impedance Response

