

Model No.: GBS-115N25AL01-04
 Product Line: Tymphany

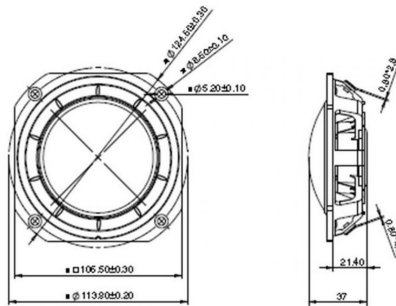
Rev: 1
 Last Update: 2018-06-01 03:49:08

Product Description

This 4.5 inch 4 ohm transducer member of the GBS family provides a very slim woofer capable of large excursion. An anodized Al cone helps to extend the piston bands in the working range. A highly optimized NdFeB and unique suspension layout combine to give a cost effective solution in a previously unavailable package.



Mechanical Drawing



Specifications

DC Resistance	Revc	Ohms	3.26	5.0%	Energy Bandwidth Product	EBP	(1/Qes)*fs	
Minimum Impedance	Zmin	Ohms	3.42	7.5%	Moving Mass	Mms	g	9.3
Voice Coil Inductance	Le	mH	0.32		Suspension Compliance	Cms	um/N	345
Resonant Frequency	Fs	Hz	88.8	15%	Effective Cone diameter	D	cm	8.35
Mechanical Q Factor	Qms		2.96		Effective Piston Area	Sd	cm^2	54.8
Electrical Q Factor	Qes	0.88			Effective Volume	Vas	L	1.65
Total Q Factor	Qts	0.68			Motor Force Factor	BL	Tm	4.39
Ratio Fs/Qts	F	Fs/Qts	131.36		Motor Efficiency Factor	β	(T*M^2)/Ohms	5.9
Half Space Sensitivity @2.83V	db@2.83V/1M	dB	85.45	+/- 1.0db	Voice coil former Material	VCfm		AL
Half Space Sensitivity @1W/1M	db@1W/1M	dB	81.8	+/- 1.0db	Voice coil inner diameter	VCd	mm	25.73
Gap Height	Gh	mm	5		Rated Noise Power	P	W	20
Maximum Linear Excursion	Xmax	mm	3.2		Test Spectrum Bandwidth		50-4.5K	
Ferrofluid Type	FF				Driver Size	Inch	4.5 in	
Driver Mass	Kg	0.22						

Frequency and Impedance Response

