

Metallized Polyester Film Capacitor

Type: **ECQUG[Class X1]**

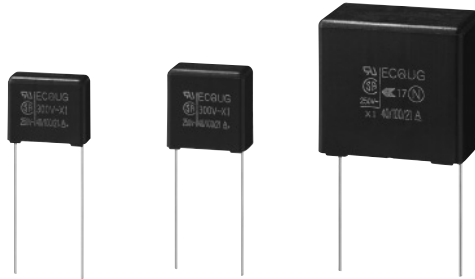
In accordance with UL/CSA and European safety regulation class X1

■ Features

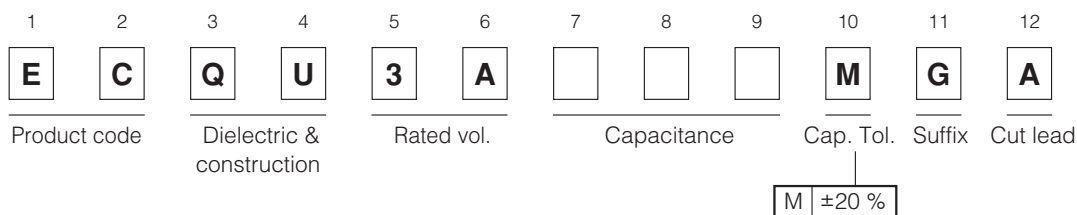
- Equipped with a safety mechanism
- Flame-retardant plastic case and non combustible resin
- RoHS directive compliant

■ Recommended Applications

- Interference suppressors



■ Explanation of Part Numbers



■ Applicable Standard

UL	UL 1414	Across-The-Line Capacitors Antenna-Coupling and Line-By-Pass Components
CSA	CAN/CSA E60384-14	Class X1
ENEC	IEC 60384-14	Class X1
NEMKO	EN 60384-14	

*When applying this capacitor to European and American safety standards, please use type designation and rating such as ECQUG, 0.1 μF.

*Approval number (File No.) of safety regulations are subject to revision without notice. Ask factory for a copy of the latest file No..

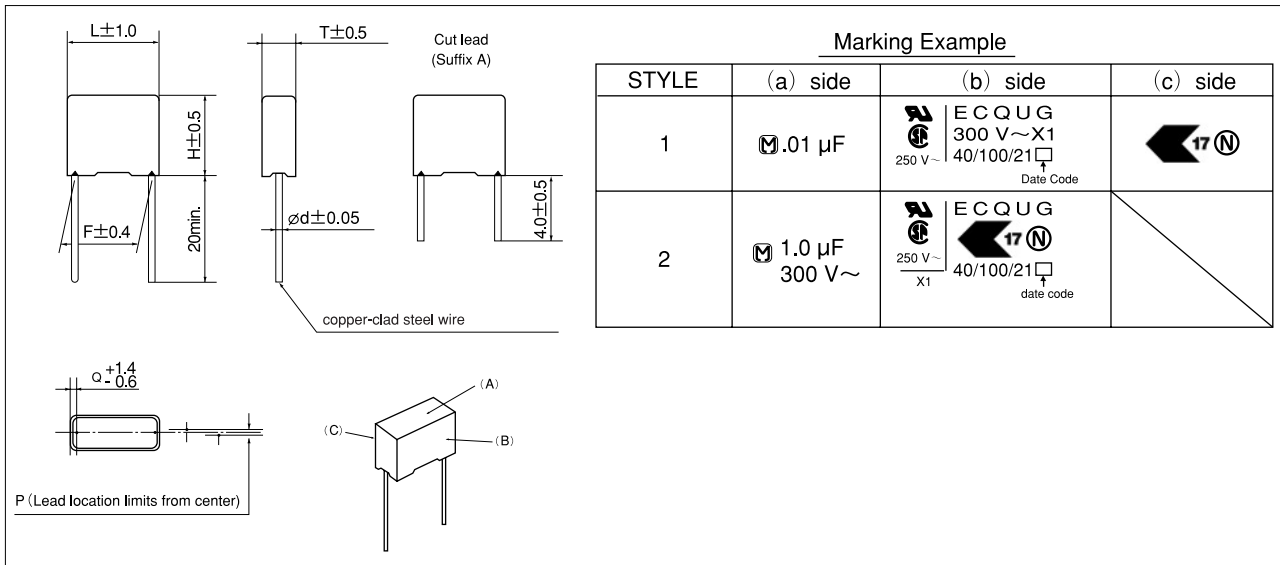
*European standards marking are ENEC and NEMKO only. But, there are no problem using this capacitor in a device which will get approvals from certification bodies in Europe, VDE, FIMKO, SEMKO, DEMKO, and SEV etc. except VDE and FIMKO.

■ Specifications

Category temp. range	-40 °C to +100 °C (85 °C max. on UL spec.)
Rated voltage	300 VAC (IEC60384-14, CAN/CSA E60384-14), 250 VAC (UL)
Capacitance range	0.010 μF to 1.0 μF (E6)
Capacitance tolerance	±20 % (M)
Dissipation factor (tanδ)	tanδ ≤ 1.0 % (20 °C, 1 kHz)
Withstand voltage	Between terminals : 575 VAC, 1768 VDC, 60 s Between terminals to enclosure : 2100 VAC, 60 s
Insulation resistance (IR)	C ≤ 0.33 μF : IR ≥ 15000 MΩ (20 °C, 100 VDC, 60 s) C > 0.33 μF : IR ≥ 5000 MΩ · μF (20 °C, 100 VDC, 60 s) IR ≥ 2000 MΩ (20 °C, 500 VDC, 60 s)

* Use of this capacitor is limited to AC voltage (50 Hz or 60 Hz sine wave).

■Dimensions in mm (not to scale)



■Rating & Dimensions

- Capacitance tolerance : $\pm 20\%$ (M)

Part No.	Cap. (µF)	Dimensions (mm)							Min. order Qty
		L	T	H	F	ϕd	P	Q	
ECQU3A103MG	0.010	15.0	5.0	11.5	12.5	0.60	0±0.5	1.3	500
ECQU3A153MG	0.015	15.0	5.0	11.5	12.5	0.60	0±0.5	1.3	
ECQU3A223MG	0.022	15.0	5.0	11.5	12.5	0.60	0±0.5	1.3	
ECQU3A333MG	0.033	15.0	6.0	13.0	12.5	0.60	0±0.5	1.3	
ECQU3A473MG	0.047	15.0	6.0	13.0	12.5	0.60	0±0.5	1.3	
ECQU3A683MG	0.068	15.0	8.0	15.0	12.5	0.60	0±0.5	1.3	
ECQU3A104MG	0.10	15.0	8.0	15.0	12.5	0.60	0±0.5	1.3	
ECQU3A154MG	0.15	18.0	8.0	16.5	15.0	0.80	0±0.5	1.3	
ECQU3A224MG	0.22	18.0	9.0	17.5	15.0	0.80	0±0.5	1.3	
ECQU3A334MG	0.33	26.0	9.0	18.5	22.5	0.80	0±0.5	1.5	
ECQU3A474MG	0.47	26.0	10.5	20.0	22.5	0.80	0±0.75	1.5	
ECQU3A684MG	0.68	26.0	12.5	22.0	22.5	0.80	0±0.75	1.5	
ECQU3A105MG	1.0	27.0	16.5	25.5	22.5	0.80	0±0.75	2.2	

Cap.tol.code